

Thomas Parts Manual



135 / 137 / 153

Skid Steer Loaders

(137 - S/N LE011000 onward)

(153 - S/N LN002000 onward)



Publication Number 53296

1. MAINFRAME

Fuel System	1.1
Rear Door and Latch (To S/N LN004999, LE011499).....	1.2
Rear Door and Latch (S/N LN005000, LE011500 Onward)	1.3
Quik-Tach	1.4
Seat, and Seat Belt	1.5
Shields	1.6
Insulation	1.7
ROPS Assembly	1.8
Boom Supports	1.9
Lift Arms and Pivot Pins	1.10
Wheel Equipment.....	1.11

2. CONTROLS

Control Levers	2.1
Foot Pedals	2.2
Throttle	2.3
Restraint Bar	2.4

3. FINAL DRIVE TRANSMISSION

Transmission Housing	3.1
Axle Assembly	3.2
Chain Tightener Assy.....	3.3

4. HYDRAULIC SYSTEM

Oil Reservoir.....	4.1
Boom Lift Circuit	4.2
Boom Lift Circuit w/Self Level Valve	4.3
Bucket Tilt Circuit	4.4
Bucket Tilt Circuit w/Self Level Valve	4.5
Auxiliary Hydraulic Circuit w/Accumulator	4.6
(To S/N LE011265, S/N LN004122)	
Auxiliary Hydraulic Circuit w/Accumulator	4.7
(S/N LE011266, S/N LN004123 Onward)	
Control Valve	4.8
Hydraulic Oil Filter (To S/N LN004999).....	4.9
Hydraulic Oil Filter (S/N LN005000 Onward)	4.10
Lift Cylinder	4.11
Tilt Cylinder	4.12

5. HYDROSTATIC DRIVE SYSTEM

Hydrostatic Drive Circuit (RH)	5.1
Hydrostatic Drive Circuit (LH)	5.1
Hydrostatic Pump	5.2
Torque Motor	5.3
Brake Valve	5.4

6. ELECTRICAL SYSTEM

Electrical Wiring (ROPS).....	6.1
Electrical Wiring (Engine)	6.2

7. ENGINE EQUIPMENT

Air Cleaner	7.1
Exhaust System (To S/N LN004999)	7.2
Exhaust System (S/N LN005000 Onward).....	7.3
Universal Joint.....	7.4
Radiator and Fan Assy (To S/N LN004999).....	7.5
Radiator and Fan Assy (S/N LN005000 Onward)	7.6

8. OPTIONAL EQUIPMENT

Cab Enclosure	8.1
Side Windows - Painted	8.2
Cab Heater.....	8.3
Cab Door	8.4
Horn.....	8.5
Self Level Valve	(refer to Sections 4.3 & 4.5)
Interior Light & Exterior Trouble	8.6
Light Kit	8.7
Driving Lamp Kit	8.8
Stop Switch	8.9
Wheel Equipment	8.10
Block Heater	8.11
Backup Alarm	8.12
3" Seat Belt	8.13
Auto Engine Shutdown	8.14
Axle Seal Protector	8.15
Purifier.....	8.16
Hydraulic Oil Heater.....	8.17
Precleaner	8.18
Lifting Lug (ROPS)	8.19
Hi-Flow (153, To S/N LN004999)	8.20
Hi-Flow (153, S/N LN005000 Onward).....	8.21

NUMERICAL INDEX

THOMAS EQUIPMENT LIABILITY WARRANTY

THE WARRANTY IS THE ONLY OBLIGATION OF THOMAS OR A THOMAS DEALER TO THE PURCHASER OR ANYONE ELSE CONCERNING A PRODUCT, ITS SERVICE, ITS USE OR PERFORMANCE OR ITS LOSS OF USE OR FAILURE TO PERFORM. NEITHER THOMAS NOR A THOMAS DEALER HAVE MADE AND NEITHER WILL MAKE ANY OTHER EXPRESSED OR IMPLIED REPRESENTATION, WARRANTY OR AGREEMENT CONCERNING A PRODUCT. NEITHER THOMAS NOR A THOMAS DEALER HAVE MADE OR WILL MAKE ANY REPRESENTATION, WARRANTY OR AGREEMENT CONCERNING A PRODUCTS MERCHANTABILITY OR OTHER QUALITY, ITS SUITABILITY FOR PURCHASER'S PURPOSE (EVEN IF A PURCHASER HAS INFORMED THOMAS OR A THOMAS DEALER OF THAT PURPOSE), ITS DURABILITY, PERFORMANCE OR OTHER CONDITION.

EVEN IF THOMAS OR A THOMAS DEALER WAS ADVISED OF THE POSSIBILITY OF SUCH LOSS, NEITHER THOMAS NOR A THOMAS DEALER WILL BE LIABLE TO PURCHASER OR ANYONE ELSE FOR ANY INDIRECT, INCIDENTAL CONSEQUENTIAL, PUNITIVE, ECONOMIC, COMMERCIAL, OR SPECIAL LOSS WHICH IS IN ANY WAY ASSOCIATED WITH A PRODUCT. THIS INCLUDES ANY LOSS OF USE OR NON-PERFORMANCE OF A PRODUCT, ANY REPLACEMENT RENTAL OR ACQUISITION COST, ANY LOSS OF REVENUE OR PROFITS, ANY FAILURE TO REALIZE EXPECTED SAVINGS, ANY INTEREST COSTS, ANY IMPAIRMENT OF OTHER GOODS, ANY INCONVENIENCE OR ANY LIABILITY OF PURCHASER TO ANY OTHER PERSON.

PURCHASER MAY NOT ATTEMPT TO ENLARGE ITS RIGHTS UNDER THE WARRANTY BY MAKING A CLAIM FOR INDEMNITY, FOR BREACH OF CONTRACT, FOR BREACH OF COLLATERAL WARRANTY, FOR A TORT (INCLUDING NEGLIGENCE, MISREPRESENTATION OR STRICT LIABILITY) OR BY CLAIMING ANY OTHER CAUSE OF ACTION.

THE WARRANTY IS A CONDITION OF SALE OF THE PRODUCT TO PURCHASER AND WILL THEREFORE APPLY EVEN IF PURCHASER ALLEGES THAT THERE IS A TOTAL FAILURE OF THE PRODUCT.

*N.B. Read and practice your **Thomas** operating and servicing instructions. Failure to do this may void your warranty.*

Publication Number 053296SP

MANUFACTURED BY
THOMAS EQUIPMENT 2004 INC.
CENTREVILLE, N.B., CANADA

MODEL NO.

SERIAL NO.

MASS kg

POWER kW

TH53285

It is important when ordering replacement parts or making a service inquiry to provide both the model number and serial number of your Thomas loader. The serial number plate is located at the rear of the machine on the left hand side. In the event that the serial number plate is missing, the model number and serial number are both stamped into the main frame inside the rear door.

MANUFACTURED BY
THOMAS EQUIPMENT 2004 INC.
CENTREVILLE, N.B., CANADA


MODEL NO.

SERIAL NO.

MASS kg

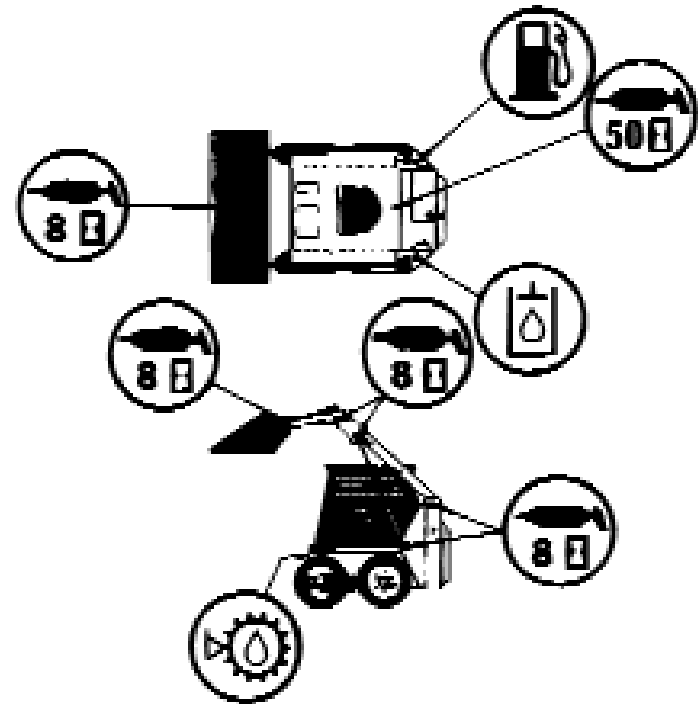
POWER kW

TH53284

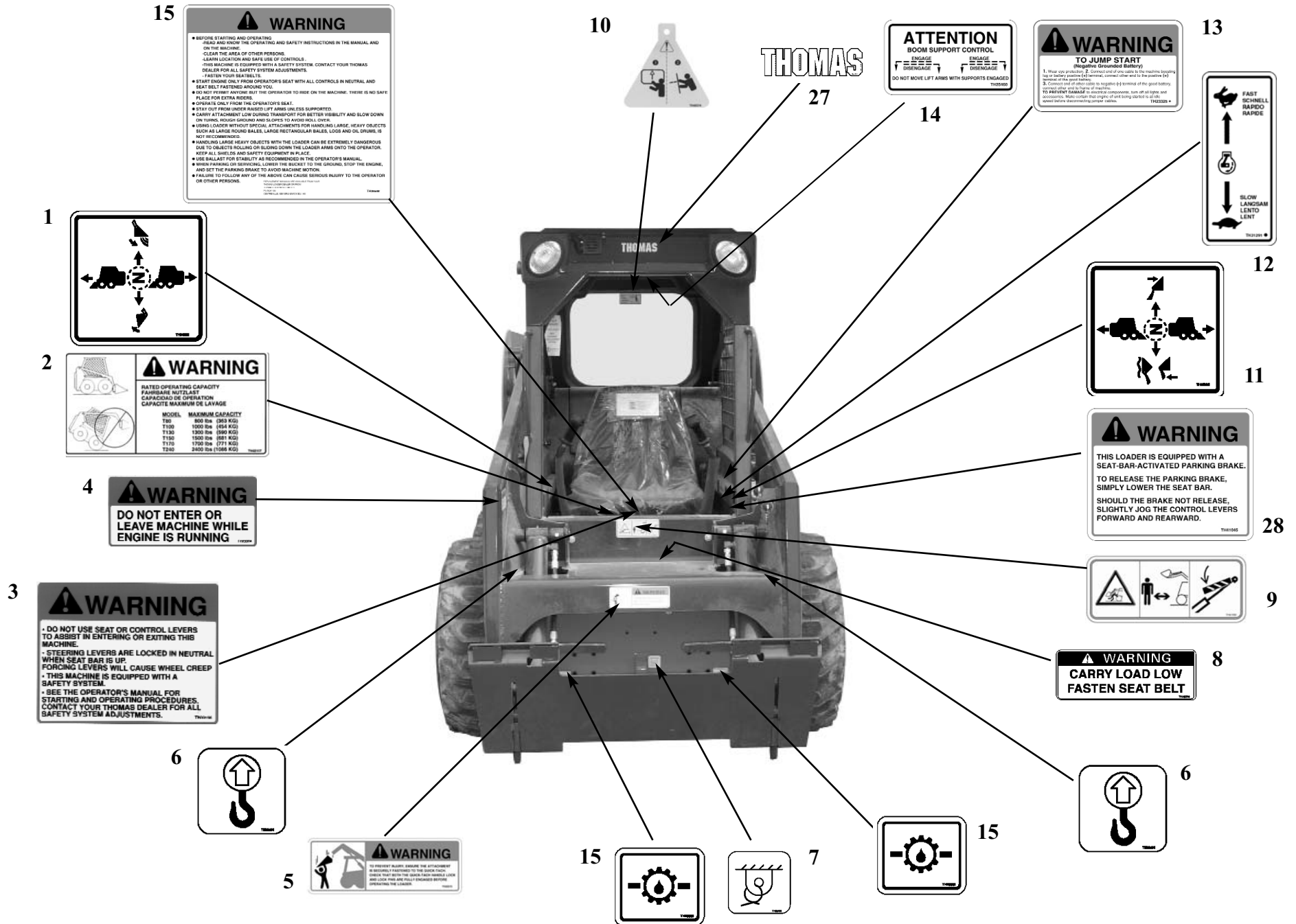


Pos	Part	Description	Lubrication & Filter Chart
-----	------	-------------	---------------------------------------

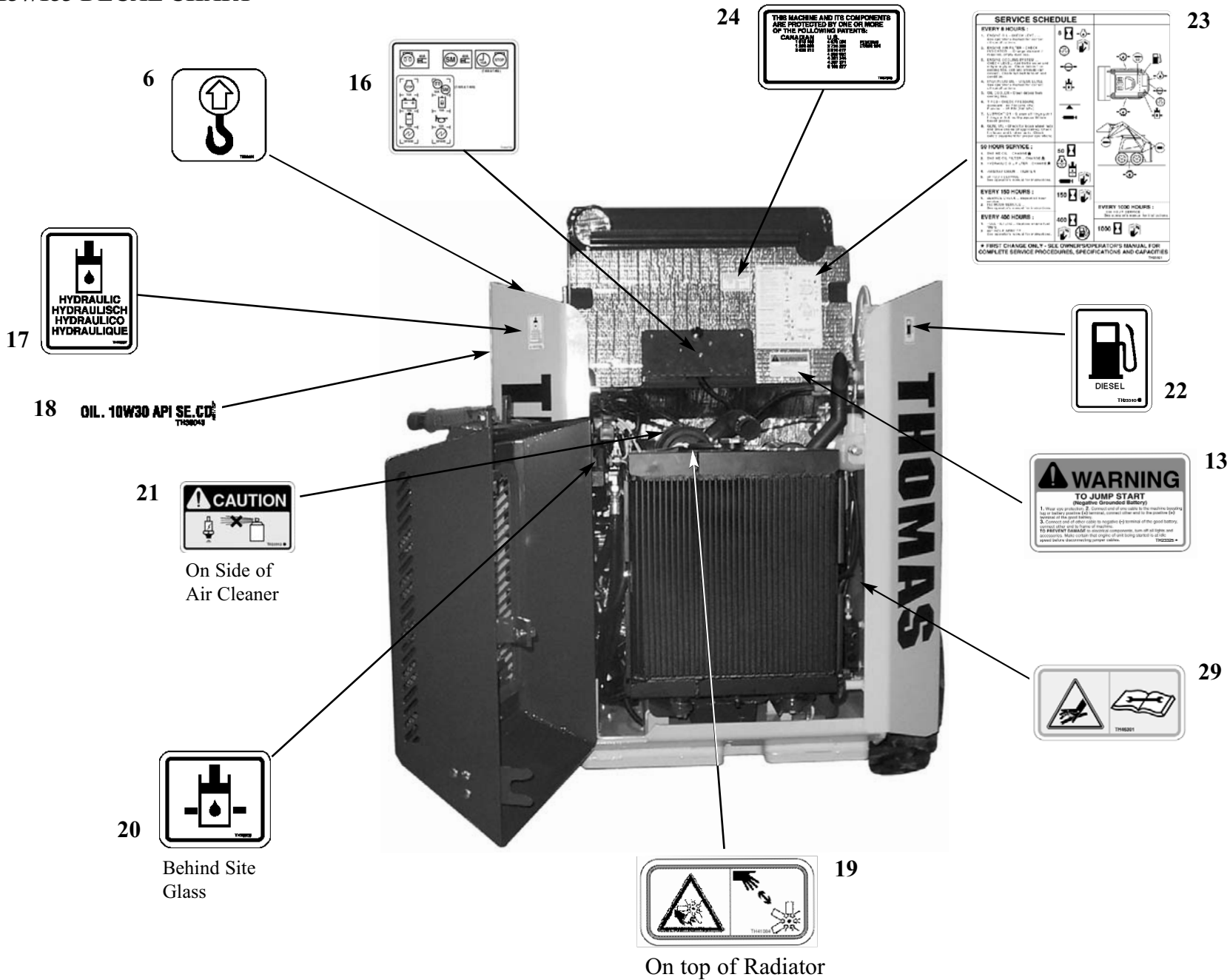
- 020901SP Silicone Tube
- 010683SP Gasket Adhesive and Sealant
- 004557SP Multi Purpose Grease
- 035062SP Lubricate Lithium Grease
- 035845SP 480 Loctite
- 042904SP 454 Loctite
- 035395SP 419 Loctite (Superbonder)
- 010837SP Neversieze
- 034288SP PST 567, Hydraulic Pipe Thread Sealant
- 006470SP 10W30 API CF (1 litre)
- 022935SP 20W50 API SJ (1 litre)
- 032665SP Chain Tightener Sealant
- 011495SP Oil Filter, Engine
- 042561SP Fuel Filter, Engine
- 035243SP Hydraulic Filter



135TA/137/153 DECAL CHART



135TA/137/153 DECAL CHART



135TA/137/153 DECAL CHART

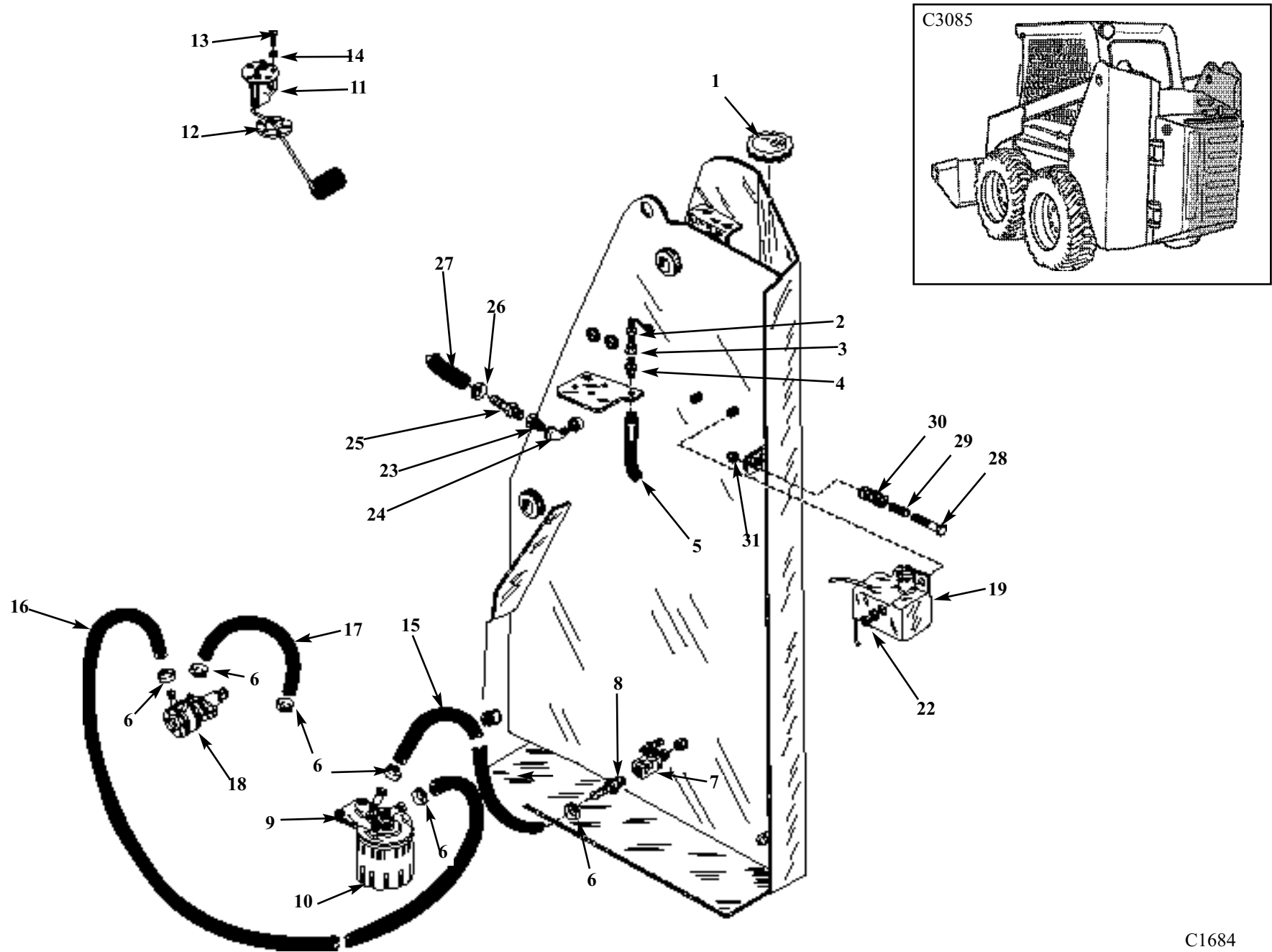


135TA/137/153 SERIES DECAL PARTS LIST

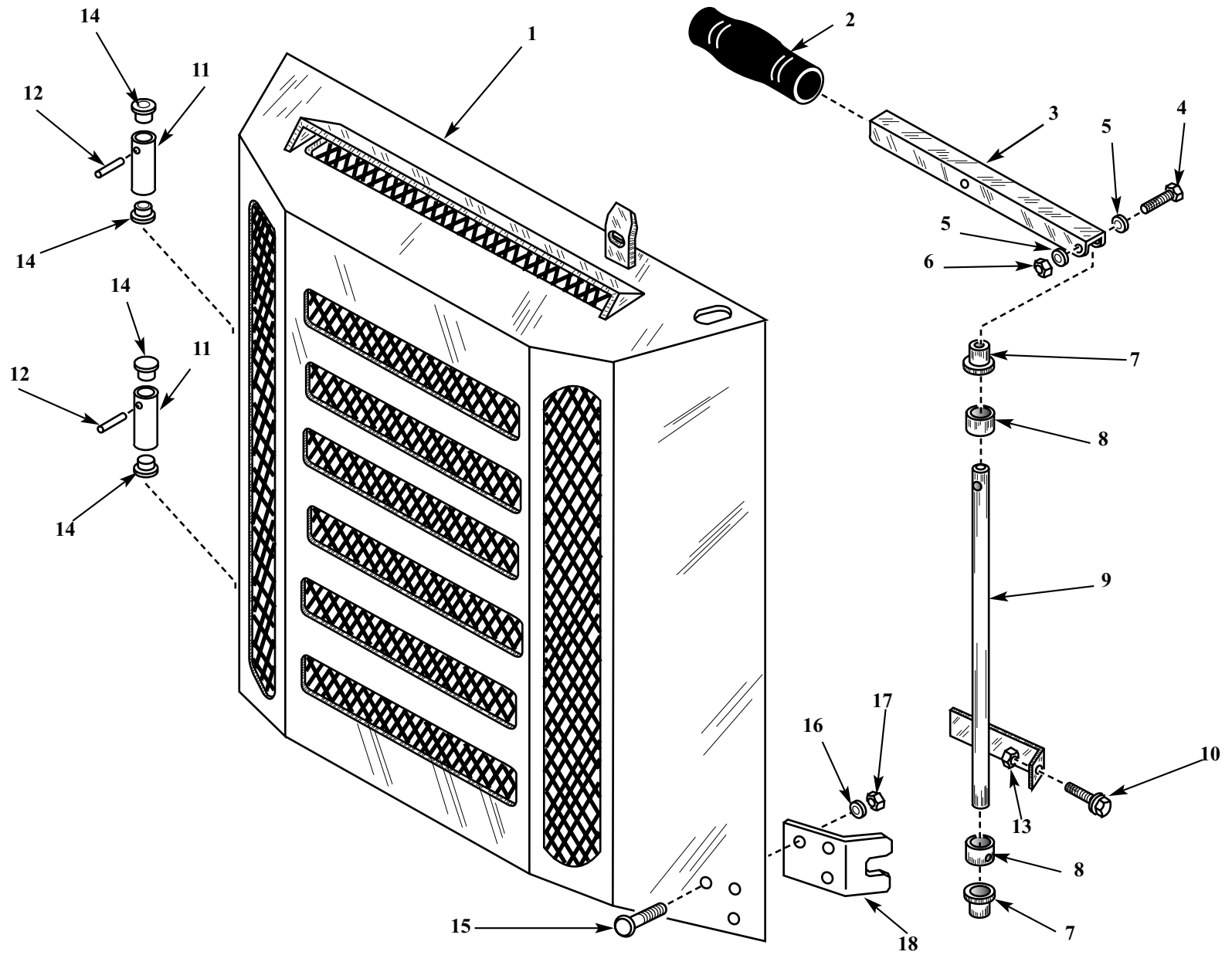
1.	037060SP	10.	049374SP	19.	041064SP	28.	041045SP
2.	042107SP	11.	037059SP	20.	023308SP	29.	046301SP
3.	039196SP	12.	031291SP	21.	023312SP	30.	048087SP (135) (← S/N LE011400)
4.	023324SP	13.	023325SP	22.	023310SP		052868SP (135) (S/N LE011400 →)
5.	032275SP	14.	025460SP	23.	023321SP		049716SP (137) (← S/N LE011400)
6.	039191SP	15.	036598SP	24.	037010SP		052769SP (137) (S/N LE011400 →)
7.	039192SP	16.	039197SP	25.	023309SP		047263SP (153) (← S/N LN004400)
8.	023326SP	17.	023307SP	26.	041065SP		052770SP (153) (S/N LN004400 →)
9.	041066SP	18.	038043SP	27.	044615SP		

MAINFRAME 1.

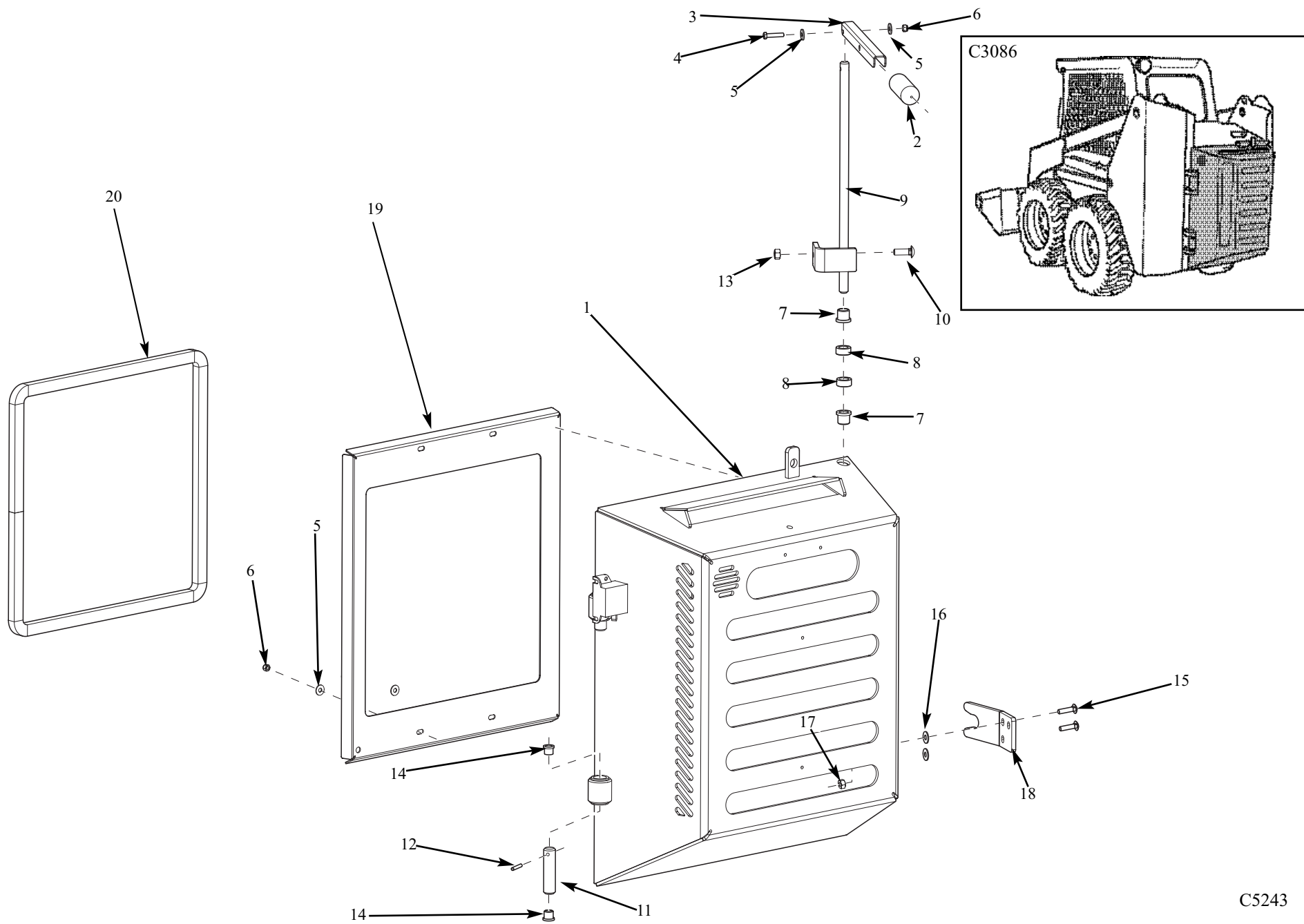
Fuel System.....	1.1
Rear Door and Latch (To S/N LN0004999, LE011499).....	1.2
Rear Door and Latch (S/N LN0005000, LE0011500 Onward).....	1.3
Quik-Tach.....	1.4
Seat and Seat Belt.....	1.5
Shields.....	1.6
Insulation.....	1.7
ROPS Assembly.....	1.8
Boom Supports.....	1.9
Lift Arms and Pivot Pins.....	1.10
Wheel Equipment.....	1.11



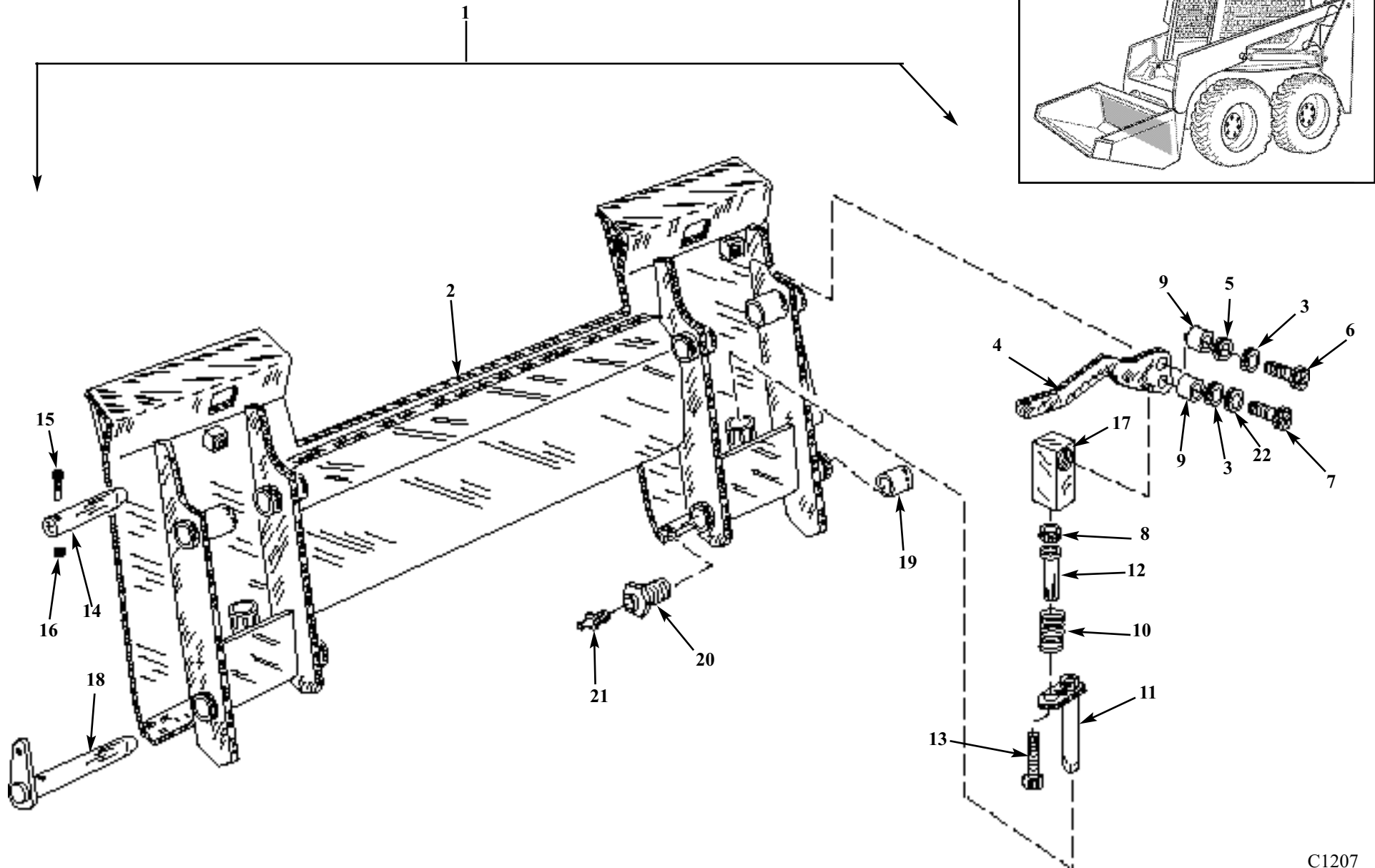
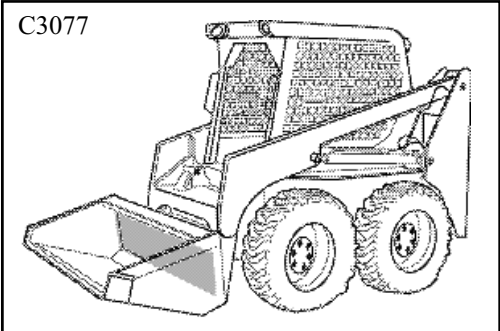
Pos NO.	Part No.	Qty	Description
1	040921SP	1	Cap, Fuel, Diesel
1	040922SP	1	Cap, Fuel, Diesel, Locking
2	043130SP	1	Dust Plug for Quick Disconnect, Male
*	043131SP	1	Dust Plug for Quick Disconnect, Female
3	043128SP	1	Coupling, Quick Disconnect, Male
*	043129SP	1	Coupling, Quick Disconnect, Female
4	043127SP	1	Connector, Bulkhead
5	962401SP	1	Hose, Hyd
6	019949SP	6	Clamp
7	014797SP	1	Cock, Fuel Shutoff
8	023861SP	1	Hose End
9	042561SP	1	Filter, Fuel
10	042560SP	1	Assy, Fuel Filter
11	041626SP	1	Fuel Level Sender
12	024264SP	1	Gasket, Cork
13	023194SP	5	Machine Screw
14	024214SP	5	Washer, Fibre (Optional)
15	000261SP	as req.	Fuel Line
16	000261SP	as req.	Fuel Line
17	000261SP	as req.	Fuel Line
18	033112SP	1	Fuel Pump
19	042737SP	1	Overflow Tank
22	043558SP	2	Nut, Flange
23	042572SP	1	Bushing, Reduction
24	042574SP	1	Elbow, 90 deg.
25	018318SP	1	Hose End
26	026737SP	2	Clamp, Fuel Line
27	000407SP	as req.	Fuel Line
28	001773SP	1	Bolt
29	032920SP	1	Spring
30	023385SP	as req	Washer, Flat
31	008613SP	1	Nut, Nylock
32	017144SP	1	Plug



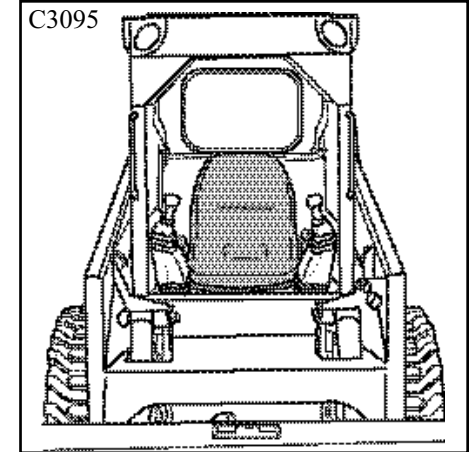
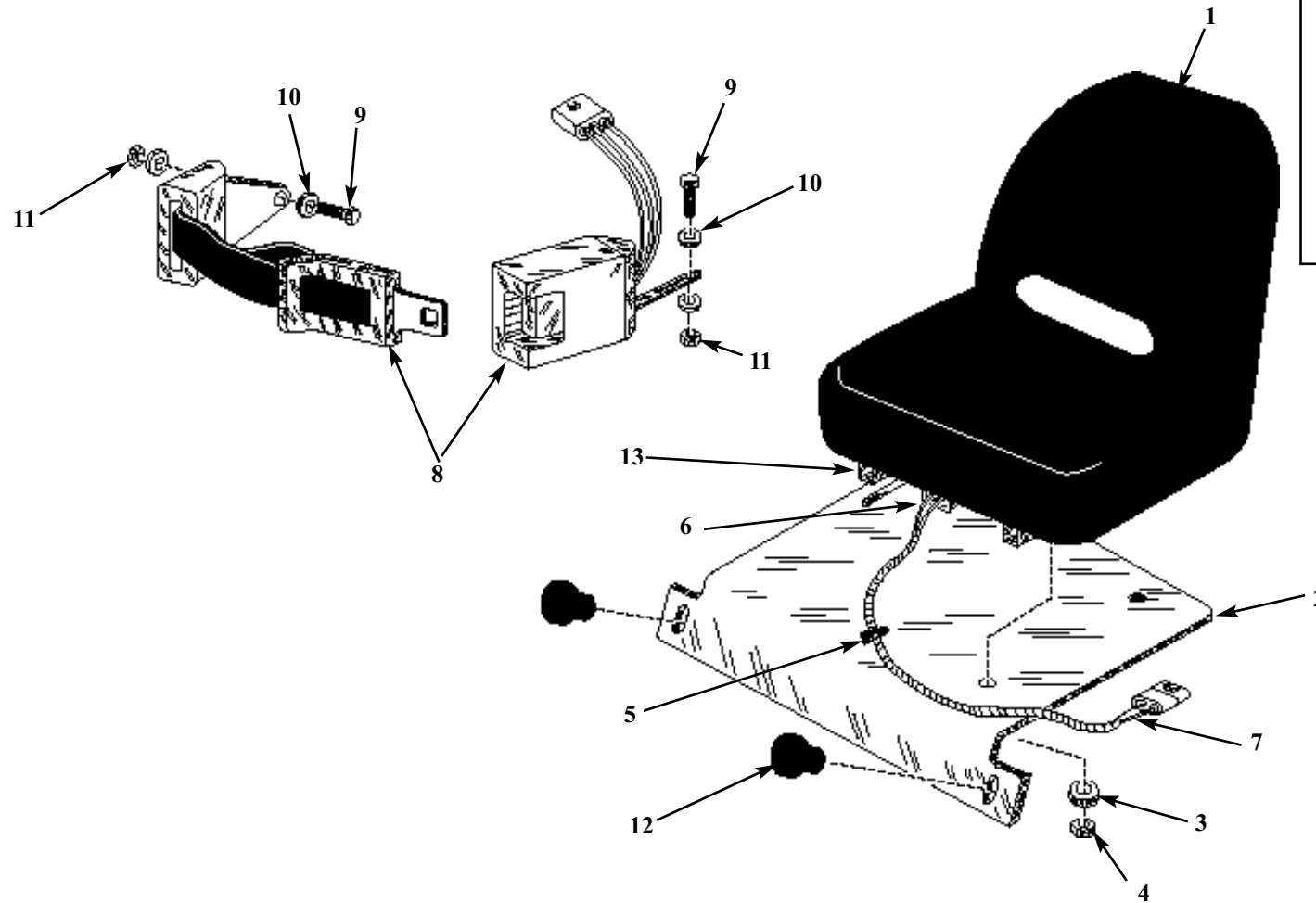
Pos NO.	Part No.	Qty	Description
1	962894SP	1	Rear Door, Complete
1	963898SP	1	Rear Door, Welded Ass'y (Includes 3, 4, 5, 6, 7, 8, 9, 10, 13)
2	003189SP	1	Grip, Lever
3	035426SP	1	Door Handle
4	001678SP	1	Bolt
5	001651SP	2	Washer, Flat
6	016771SP	1	Nut
7	016989SP	2	Bearing
8	047952SP	2	Set Collar
9	962892SP	1	Lock, Rear Door Welded Ass'y
10	002823SP	1	Bolt
11	046227SP	2	Pin, 1.00" x 4.375"
12	031489SP	2	Pin, Split Spring
13	020860SP	1	Nut
14	031488SP	4	Bearing
15	002835SP	3	Bolt
16	001643SP	3	Washer, Flat
17	007465SP	3	Nut
18	044548SP	1	Plate, Rear Door Guide



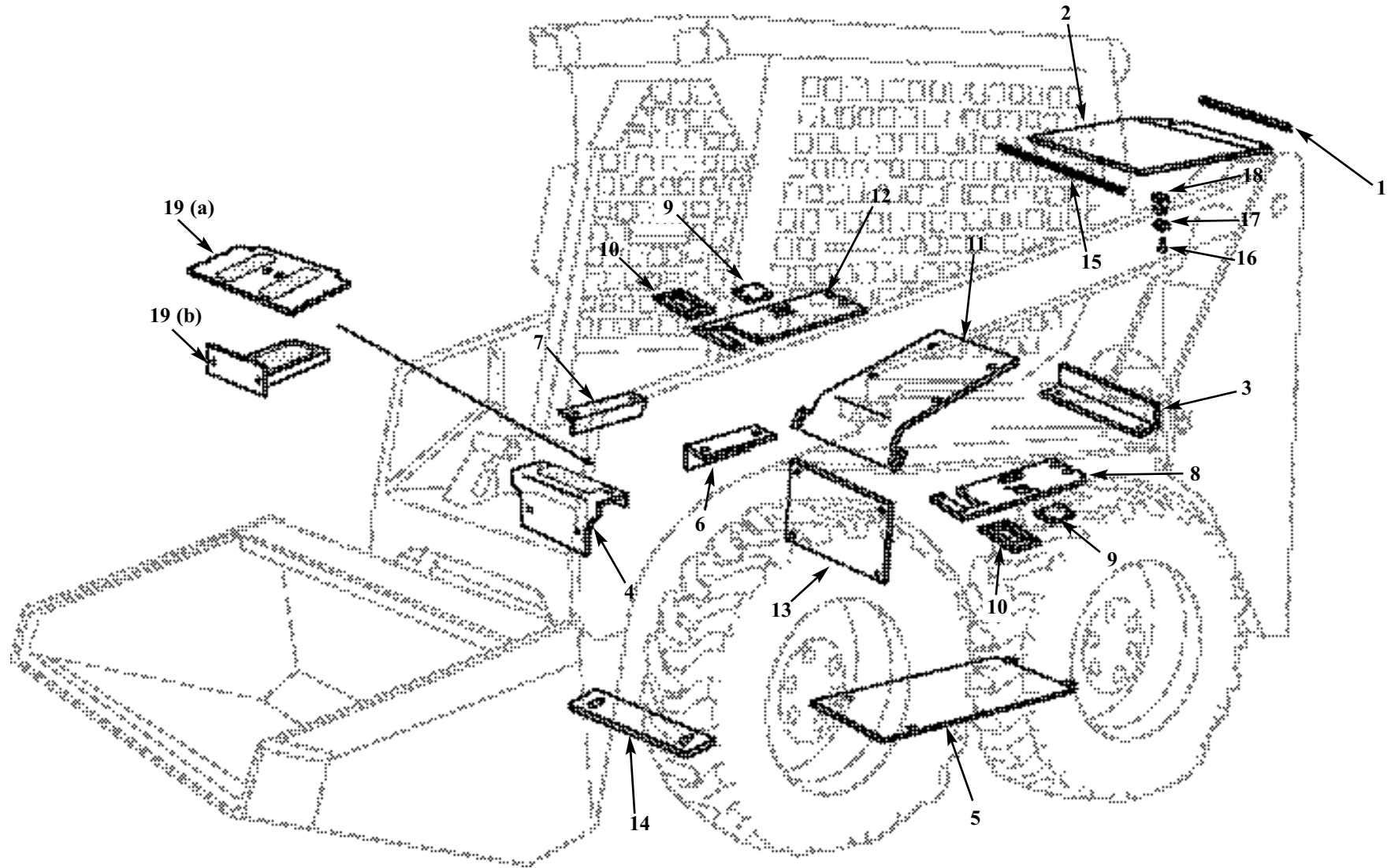
Pos NO.	Part No.	Qty	Description
1	966201SP	1	Rear Door, Welded Assy
2	003189SP	1	Grip, Lever
3	035426SP	1	Door Handle
4	001678SP	1	Bolt
5	001651SP	6	Washer, Flat
6	016771SP	5	Nut
7	016989SP	2	Bearing
8	047952SP	2	Set Collar
9	962892SP	1	Lock, Rear Door Welded Assy
10	002823SP	1	Bolt
11	046227SP	2	Pin, 1.00" x 4.375"
12	031489SP	2	Pin, Split Spring
13	020860SP	1	Nut
14	031488SP	4	Bearing
15	002835SP	3	Bolt
16	001643SP	3	Washer, Flat
17	007465SP	3	Nut
18	044548SP	1	Plate, Rear Door Guide
19	052810SP	1	Baffle
20	000580SP	7	Foam
	026665SP	7	Foam



Pos NO.	Part No.	Qty	Description
1	961252SP	1	Quick - Tach Complete (Without pins)
2	961249SP	1	Quick Tach, Welded Assy
3	023385SP	4	Washer, Flat
4	041290SP	1	RH, Handle
4	041291SP	1	LH, Handle
5	041392SP	2	Washer, Belleville Spring
6	001680SP	2	Bolt
7	003321SP	2	Bolt
8	020860SP	2	Nut, Plain
9	022653SP	4	Bushing, Stabilizer Bar
10	049281SP	2	Spring
11	960993SP	1	LH Pin, Lock Assy
11	960994SP	1	RH Pin, Lock Assy
12	042350SP	2	Bushing, Spring Stabilizer
13	002011SP	2	Bolt, Hex
14	040778SP	2	Pin
14	043834SP	2	Pin,Hardened
15	001677SP	2	Bolt, Hex
16	016771SP	2	Nut, Nylock
17	040614SP	2	Linkage Block
18	043836SP	2	Q/T Pin Assy
*	008613SP	2	Nut
19	041117SP	2	Hardened Bushing
20	008897SP	2	Bushing, Reducer
21	002010SP	2	Grease Nipple
22	020861SP	2	Washer, Lock

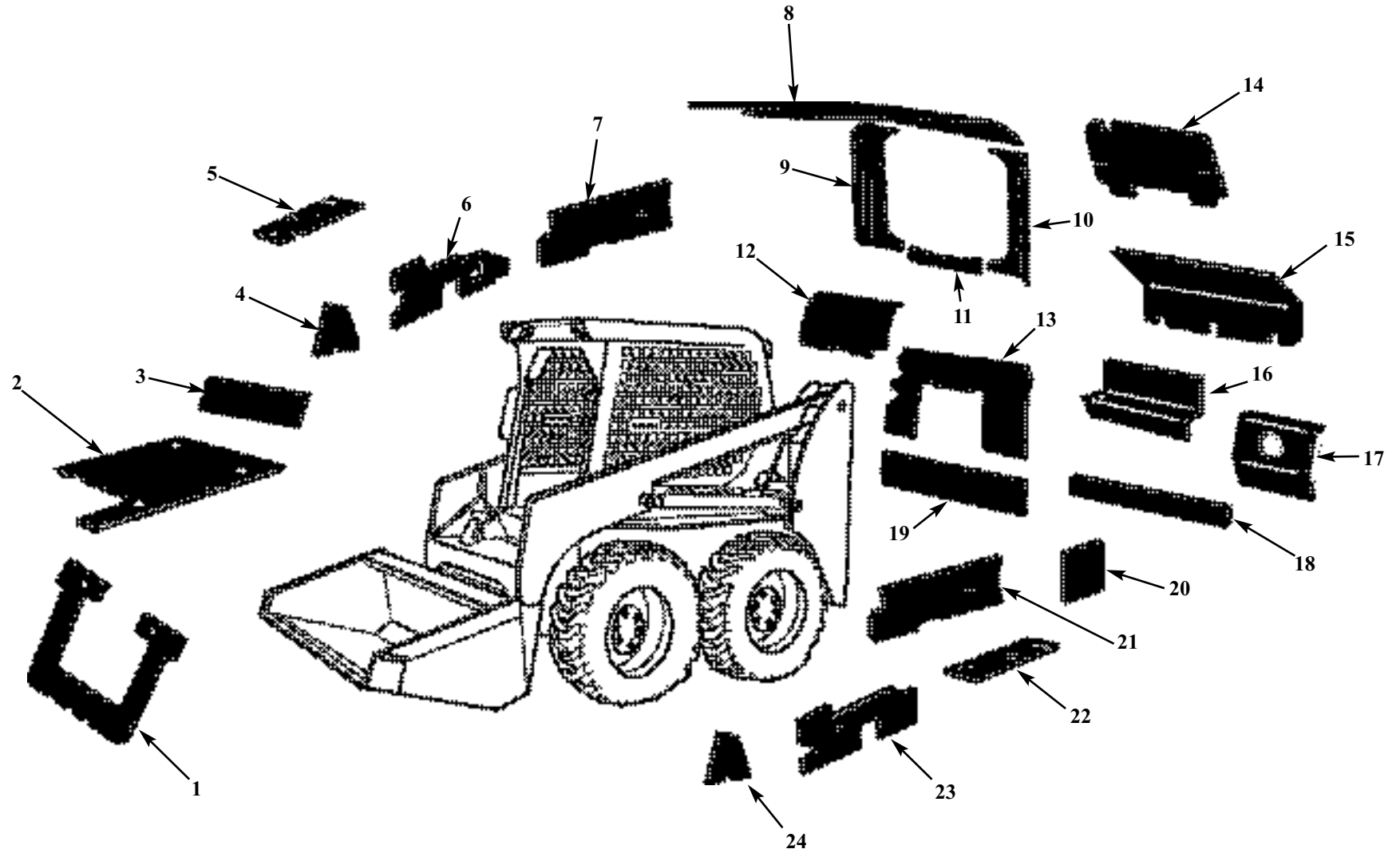


Pos NO.	Part No.	Qty	Description
1	038600SP	1	Seat Assy W / Sliders
2	042613SP	1	Sheet, Seat Mount
3	001870SP	4	Washer
4	001191SP	4	Nut
5	040581SP	1	Clip
6	038516SP	1	Seat Switch
7	039904SP	1	Harness, Seat Switch
8	047422SP	1	2" Seat Belt, Non-Retractable
8	048276SP	1	3" Seat Belt, Retractable (Option)
8	048275SP	1	2" Seat Belt, Retractable
9	001193SP	2	Bolt
10	001643SP	2	Washer
11	007465SP	2	Nut
12	042070SP	2	Knob, W / Stud
13	042931SP	1	Seat Slider, W / Adjusters
*	041797SP	2	(Not Shown) Knob, W / Brass Insert on Hydrostatic Shield

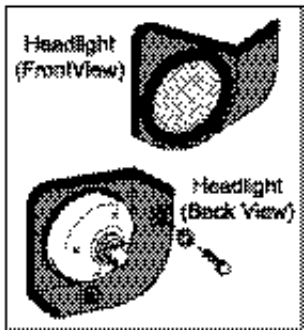
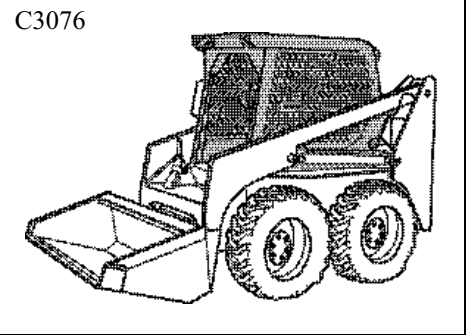
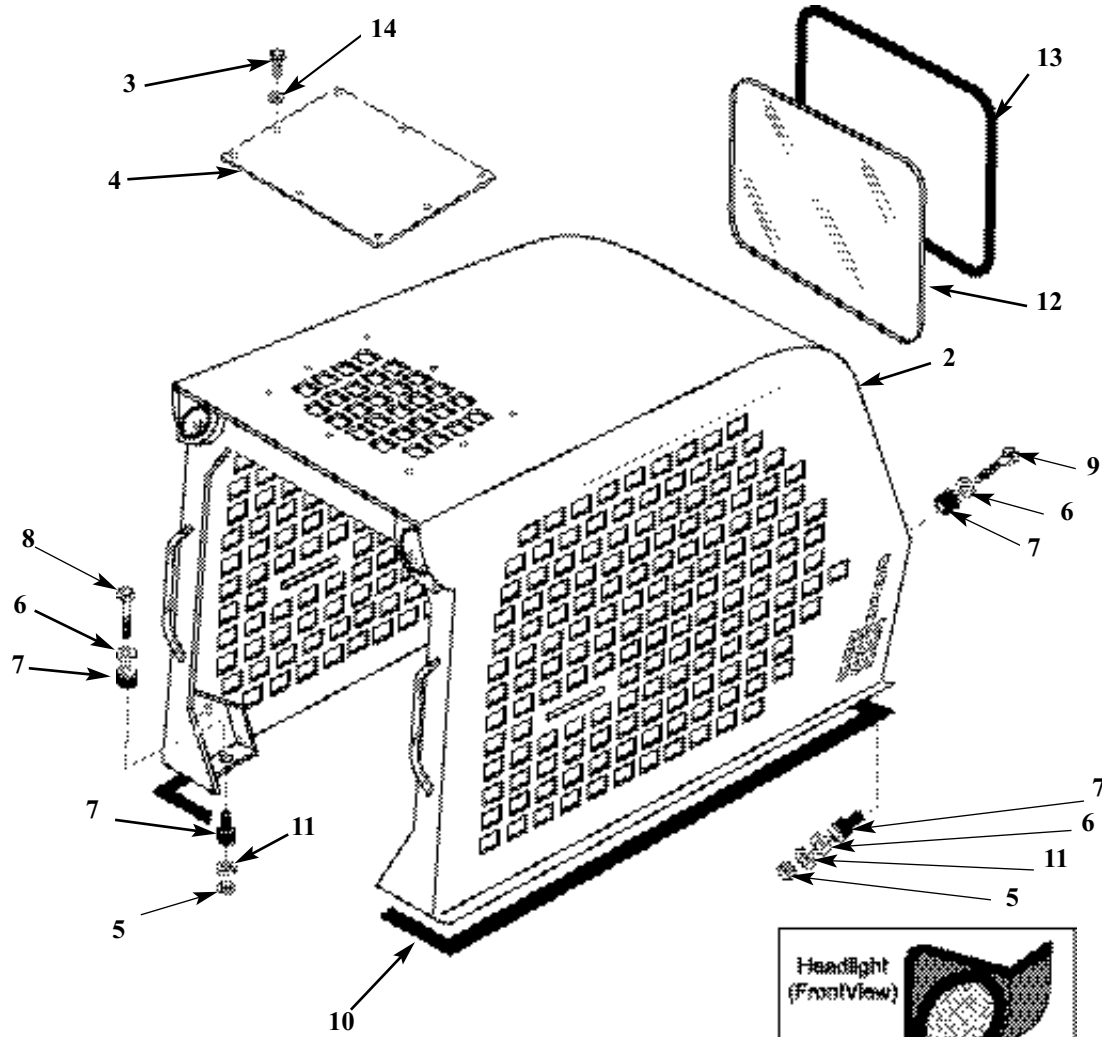


Pos No.	Part No.	Qty	Description
1	000821SP	2 ft.	Molding
2	962341SP	1	Engine Cover Assy
	052186SP	2	Hinge
3	040477SP	1	Rear Filler Shield
4	963800SP	1	Front Step Shield Assy
5	960932SP	1	Rear Belly Pan Assy
6	040498SP	1	Chain Tightener Shield, LH
7	040499SP	1	Chain Tightener Shield, RH
8	963818SP	1	LH Seat Support
9	040495SP	2	Hole Cover
10	047219SP	2	Cover
11	042613SP	1	Seat Plate
12	963819SP	1	RH seat Support
	040787SP	2	Neoprene
	042070SP	4	Knob, W / Stud
	041791SP	2	Knob, W / Brass Insert
	041704SP	2	Stud for 41791
	039126SP	2	Plug, Black Plastic
	043549SP	as req.	Washer
13	042615SP	1	Hydrostatic Shield
14	041801SP	1	Clean Out Plate
15	000820SP	2.7 ft.	Edging, Vinyl
16	007723SP	2	Bolt
17	039556SP	2	Cover
18	039557SP	4	Clamps
19(a)	047285SP	1	Foot Shield, Hand Controls
19(b)	047286SP	1	Foot Shield, Foot Controls

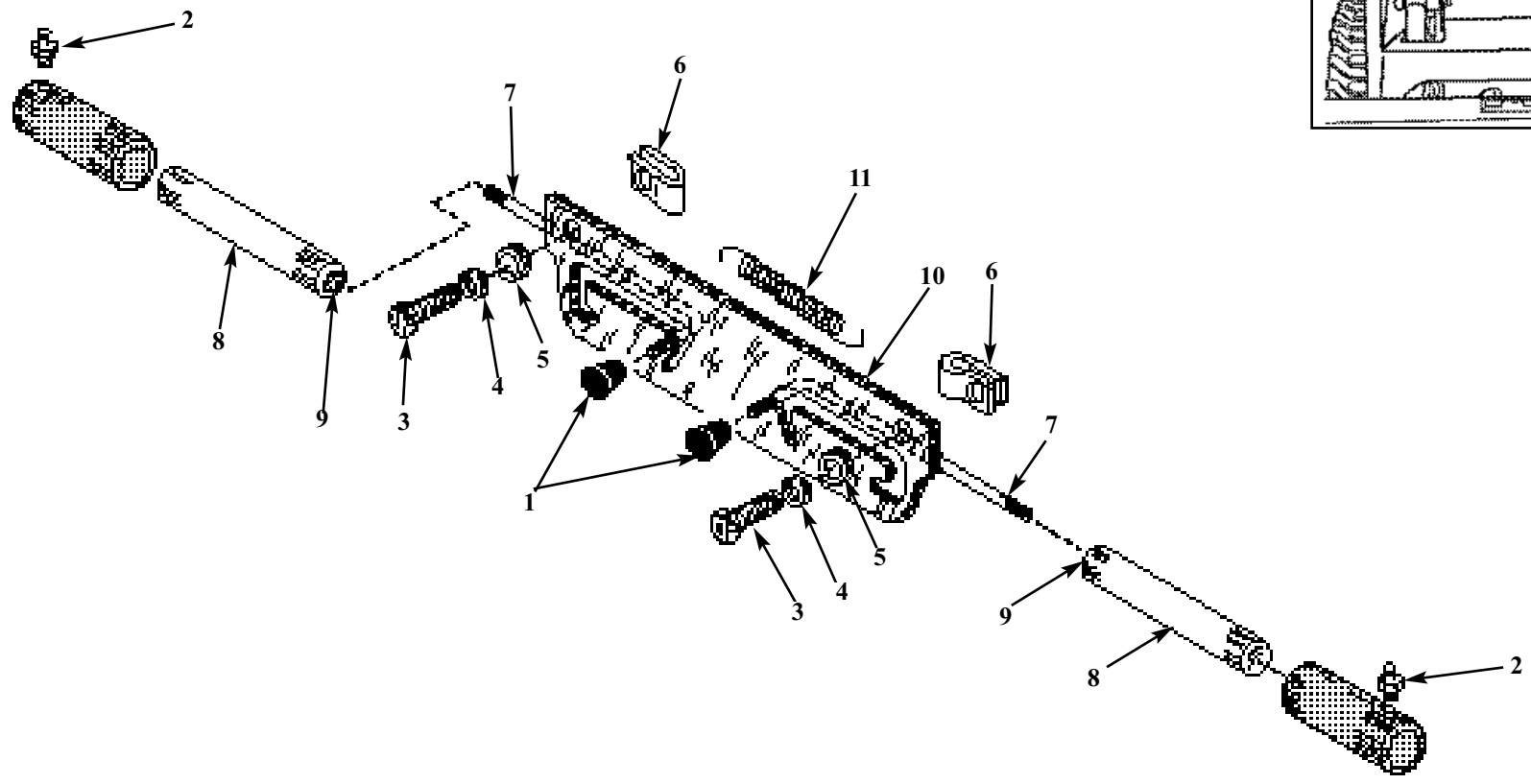
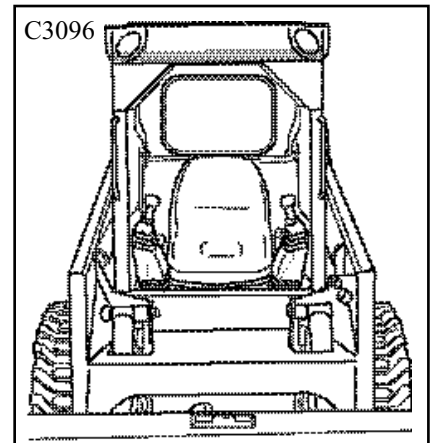
Note: Not all insulation shown applies to every loader.



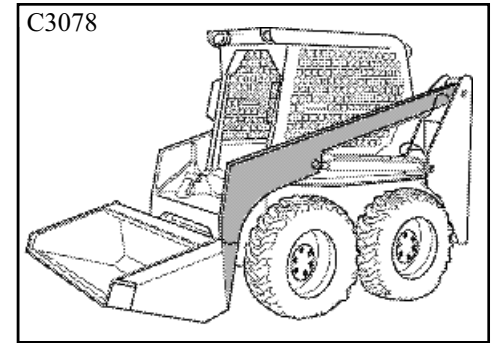
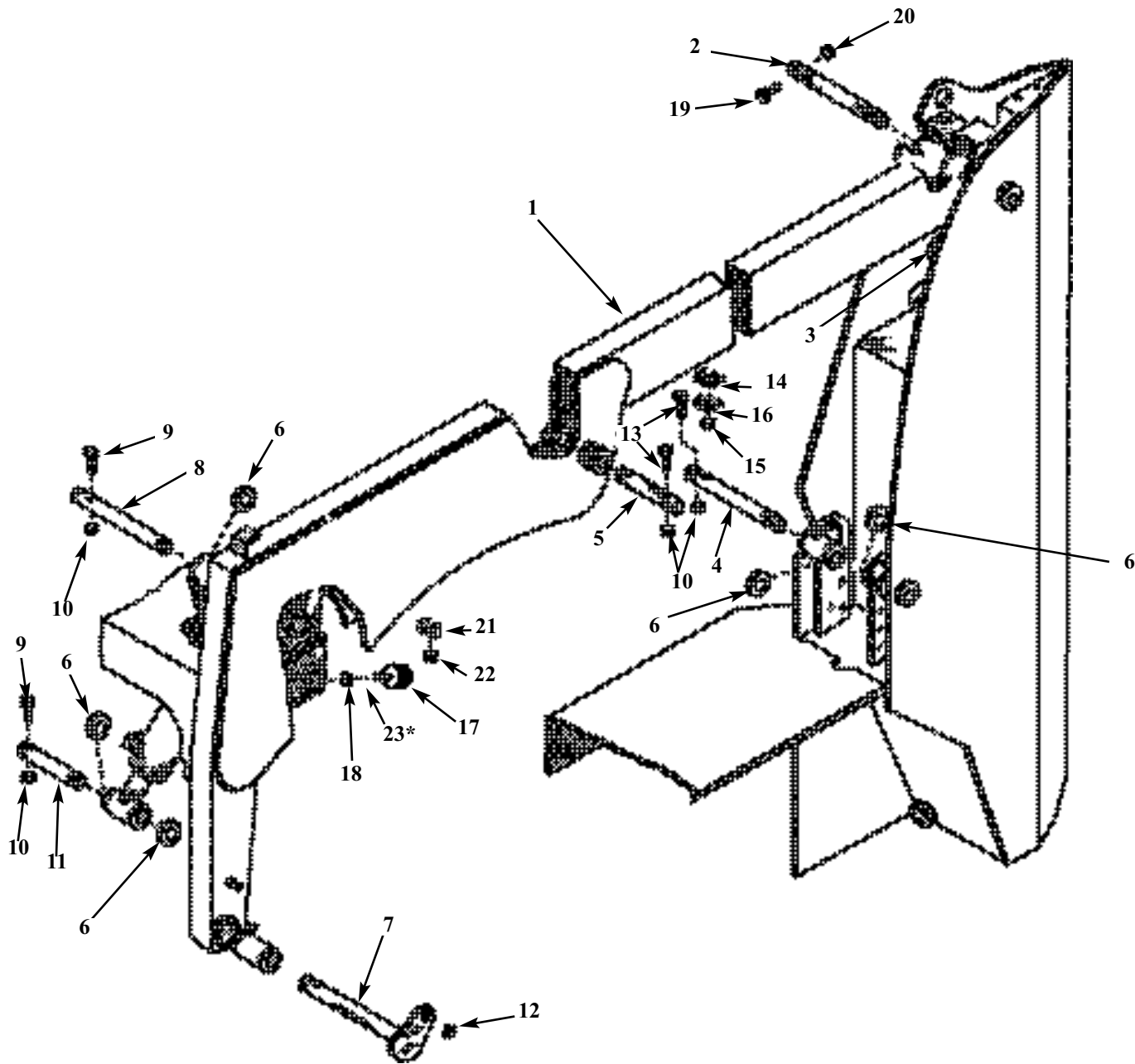
Pos NO.	Part No.	Qty	Description
1.	047319SP	1	Insulation, Bulkhead Plate
2.	047318SP	1	Insulation, Seat Plate
3.	047302SP	1	Insulation, Front Step Shield
4.	047308SP	1	Insulation, Cab Mount Filler RH
5.	047321SP	1	Insulation, Side Shield RH
6.	047323SP	1	Insulation, Lower Trans RH
7.	047310SP	1	Insulation, Side Panel RH
8.	047303SP	1	Insulation, Headliner Deluxe Foss
9.	047309SP	1	Insulation, Rear Corner Post Foss RH
10.	047305SP	1	Insulation, Rear Corner Post Foss LH
11.	047307SP	1	Insulation, Lower Window Cross Trim
12.	047301SP	1	Insulation, Battery Box Cover
13.	047300SP	1	Insulation, Back Panel Upper
14.	047325SP	1	Insulation, Engine Cover Sheet
15.	047326SP	1	Insulation, Tank Tie
16.	047315SP	1	Insulation, ROPS Outer Blanket
17.	047324SP	1	Insulation, Pump Mount Plate
18.	047316SP	1	Insulation, Rear Filler Plate Rear Side
19.	047299SP	1	Insulation, Back Panel Lower
20.	047317SP	2	Insulation, Inspection Cover
21.	047306SP	1	Insulation, Side Panel LH
22.	047320SP	1	Insulation, Side Shield LH
23.	047322SP	1	Insulation, Lower Trans LH
24.	047304SP	1	Insulation, Cab Mount Filler LH



Pos NO.	Part No.	Qty	Description
1	963834SP	1	ROPS Complete
2	963839SP	1	ROPS Frame Assy
3	031744SP	8	Screw, Self Tapping
*	018455SP	8	Washer
4	025445SP	1	Glass, Top ROPS
5	008613SP	4	Nut, Hex
6	020235SP	8	Washer, Snubbing
7	038560SP	4	Isolator, Neoprene
8	001248SP	2	Bolt
9	002898SP	2	Bolt
10	015931SP	6.66 ft	Weather Strip
11	020861SP	4	Washer, Locking
12	046303SP	1	Window, Rear
13	049739SP	6.25 ft	Weather Strip, Glass
	049740SP	6.25 ft	Locking Strip
14	018455SP	8	Washer



Pos NO.	Part No.	Qty	Description
1	039546SP	2	Knob
2	035449SP	2	Grease Nipple
3	001190SP	2	Bolt
4	001651SP	2	Lock Washer
5	001870SP	2	Flat Washer
6	006086SP	2	Captive Nut
7	025530SP	2	Locking Pin Arm
8	044079SP	2	Pin, Boom Support
9	001350SP	2	Nut
10	040162SP	1	Panel, Boom Support
11	042490SP	1	Spring



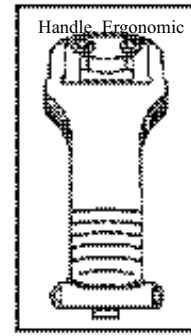
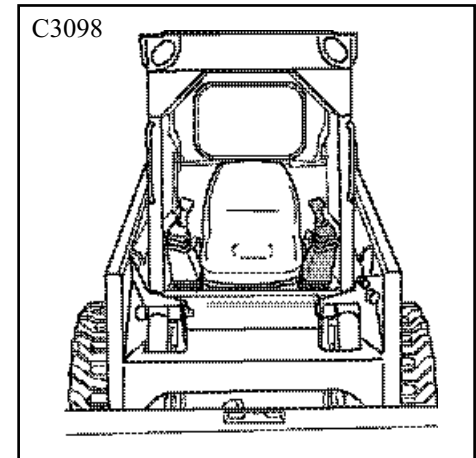
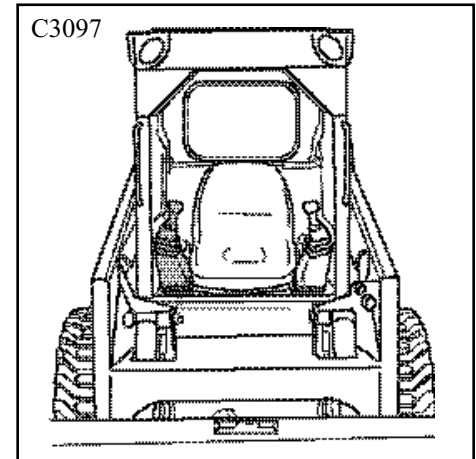
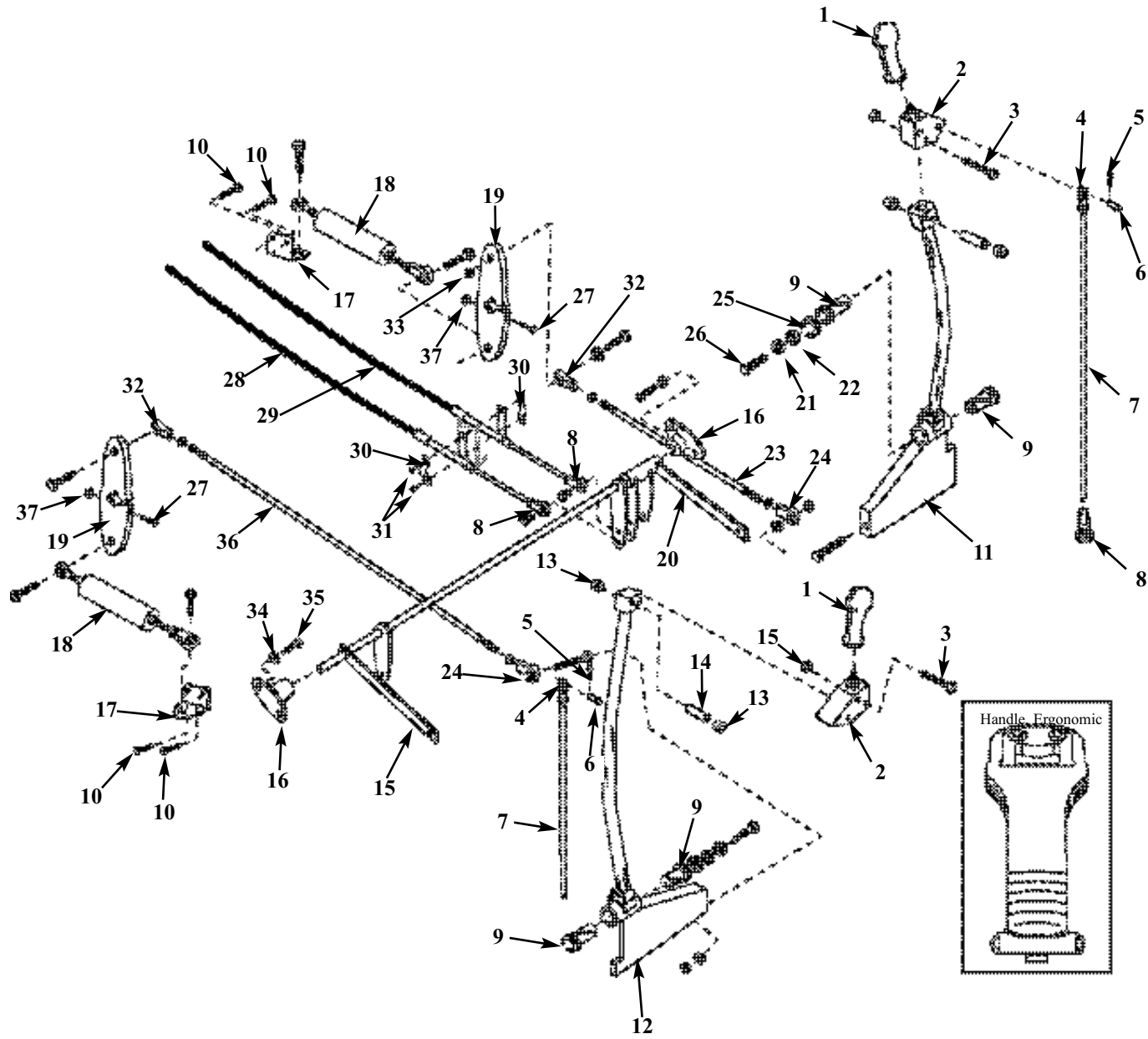
Pos NO.	Part No.	Qty	Description
1	962088SP	1	Lift Arm Assy
2	043835SP	2	Hinge Pin, Hardened
3	032614SP	2	Washer, Neoprene
4	043832SP	2	Pin, Hardened
5	043828SP	2	Pin, Hardened
6	032615SP	A/R	Washer, Neoprene
7	043836SP	2	Q/T Pin Assy, Hardened
8	043833SP	2	Long Tilt Pin, Hardened
9	001676SP	6	Bolt
10	016771SP	11	Nut, Nylock
11	040778SP	2	Tilt Pin
11	043834SP	2	Tilt Pin, Hardened
12	008613SP	2	Locknut
13	001675SP	4	Bolt
14	038302SP	6	Clamp, Tube
15	016771SP	6	Nut
16	038472SP	6	Cover, Clamp
17	043012SP	2	Bumper Pads
18	025091SP	4	Nut
19	014620SP	2	Bolt
20	007465SP	2	Nut
21	036778SP	1	Clamp (RH ONLY)
22	016771SP	1	Nylock, Nut (RH ONLY)
23	043019SP	A/R	Shim (*not shown)

Wheel Equipment**1.11**

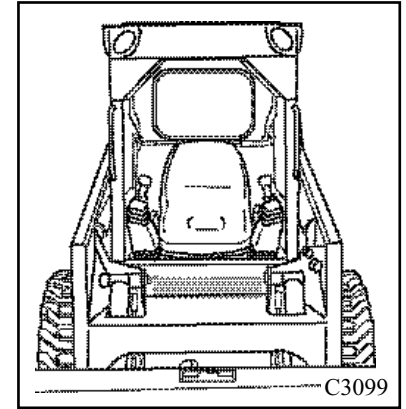
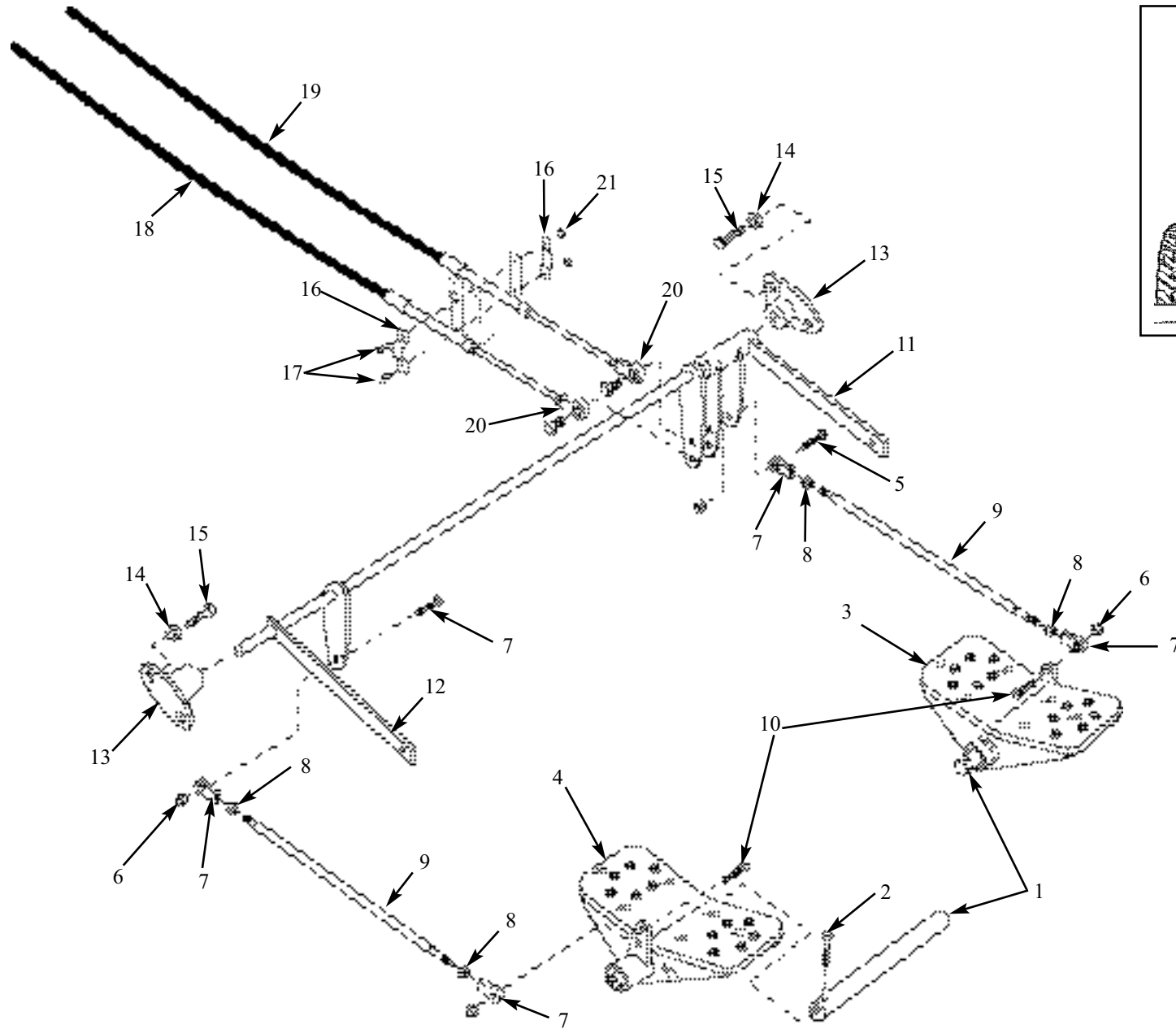
Part No.	Qty	Description
963427	1	Kit, Tire 10 x 16.5 2000 Series:
046436	2	Wheel & Tire Assy RH 10 x 16.5, 6 Bolt 2000
046437	2	Wheel & Tire Assy LH 10 x 16.5, 6 Bolt 2000
005832	24	Nut, Wheel 9/16

2. CONTROLS

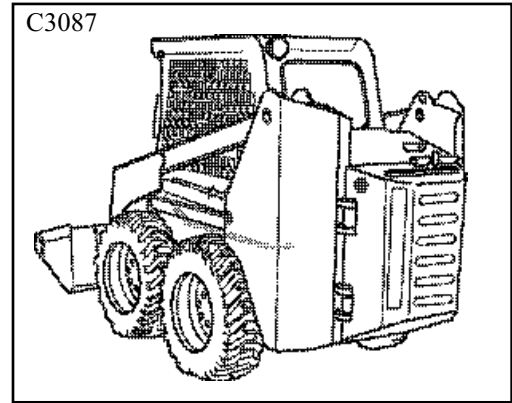
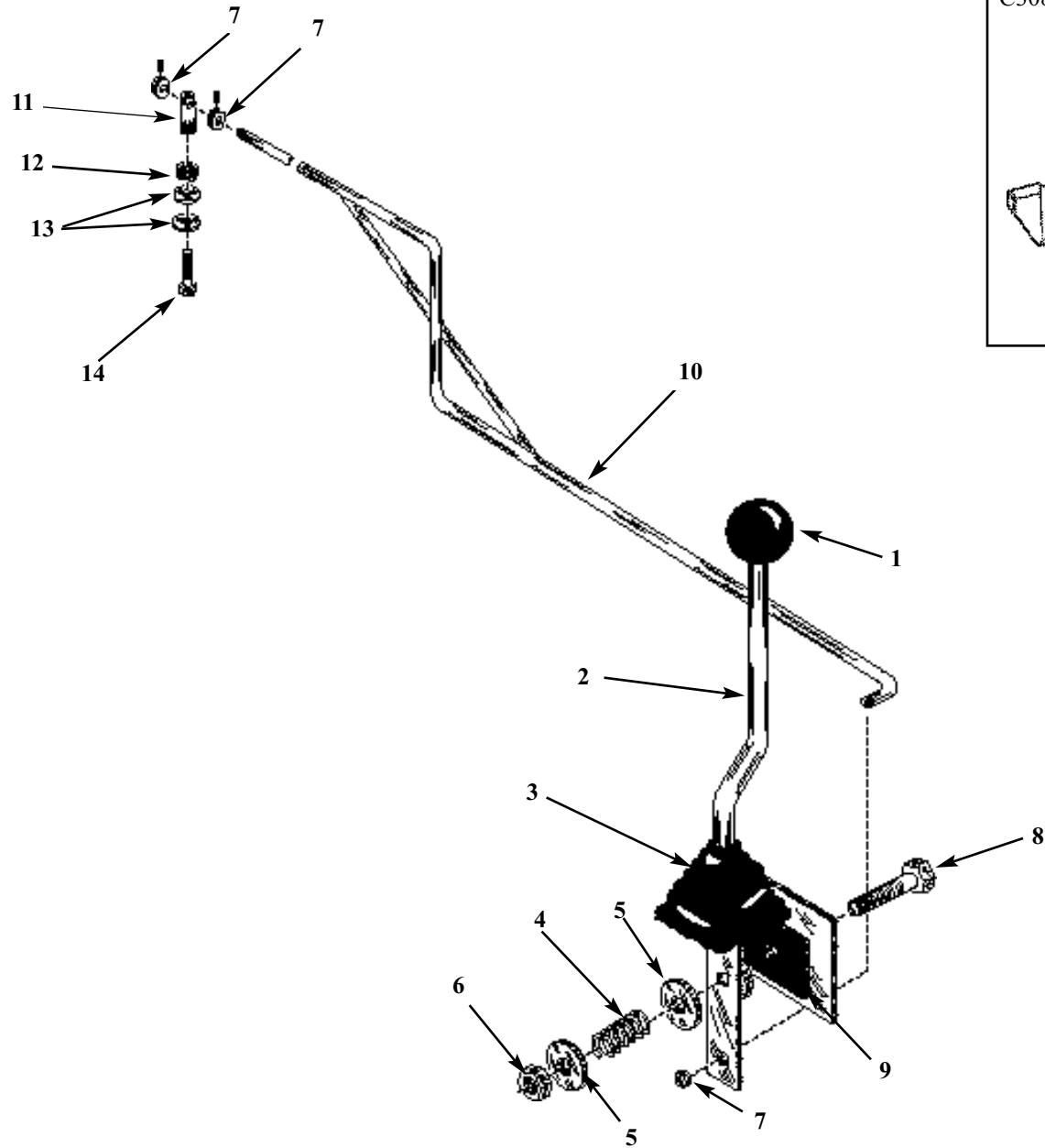
Control Levers.....	2.1
Foot Pedals.....	2.2
Throttle.....	2.3
Restraint Bar	2.4



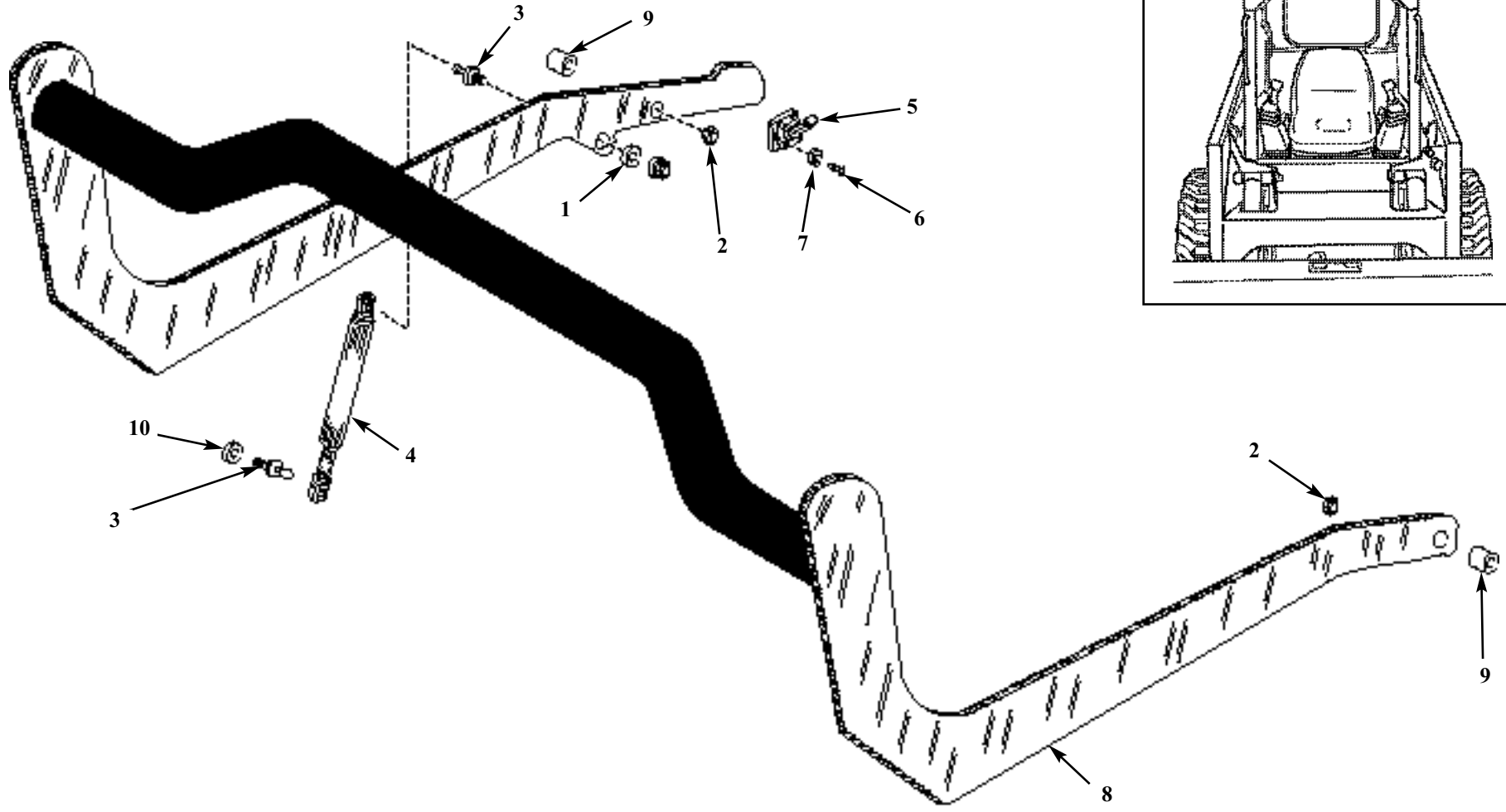
Pos NO.	Part No.	Qty	Description
1.	044181SP	1	Handle, Ergonomic
1.	044182SP	1	Handle, Ergonomic w/ Rocker & Switches
2.	962874SP	2	Lever Handle Base
3.	025589SP	2	Bolt, Hex 1/4 x 1 3/4
4.	035884SP	2	Clevis, 1/4" Pin, 1/4" UNF Threadturnbuckle Style
5.	001630SP	2	Cotter Pin
6.	030044SP	2	Clevis Pin
7.	047383SP	2	Bar, Handle Transfer
8.	035883SP	4	Rod End Assy
9.	044347SP	4	Flange Bushing
10.	021559SP	4	Bolt, Hex M8 x 1.25 x 30mm
11.	963808SP	1	Control Lever, LH
12.	963809SP	1	Control Lever, RH
13.	044348SP	4	Flange Bushing
14.	044349SP	2	Tube, Handle Spacer
15.	963813SP	1	Cross Shaft Assy
16.	044979SP	2	Flange Bearing
17.	044503SP	2	Plate, Hydroback Mount
18.	964357SP	2	Hydroback
19.	048389SP	2	Pintle Lever Plate
20.	963814SP	1	LH Activator Assy
21.	001642SP	6	Washer, Lock 3/8
22.	001643SP	4	Washer, Flat 3/8
23.	048603SP	1	Bar, CF RD Pintle Linkage LH
24.	042207SP	2	Rod End Assy, Female, R.H.
25.	029384SP	2	Washer, Fender
26.	001673SP	2	Bolt, Hex 3/8 x3/4
27.	001677SP	2	Bolt, Hex 3/8 x 3
28.	047161SP	1	Cable, Push-Pull 49.5
29.	047331SP	1	Cable, Push-Pull 53"
30.	047163SP	4	Clamp, Cable, Series 40
31.	047312SP	2	Screw, Cap Hex Head 1
32.	042208SP	2	Rod End Assy, Female, L.H.
33.	047313SP	2	Nut, Sleeve 10-24 x 1
34.	001870SP	4	Washer, Lock 5/16
35.	002593SP	16	Bolt, Hex 5/16 x 1/2"
36.	048602SP	1	Bar, CF RD Pintle Linkage RH
37.	016771SP	3	Nut, Nylok, Hex 5/16



Pos NO.	Part No.	Qty	Description
1.	044789SP	2	Shaft, Pedal
2.	046106SP	2	Bolt, Hex Head
*	025583SP	2	1/4" Stainless Washer
3.	965495SP	1	Pedal, Lift
4.	965496SP	1	Pedal, Tilt
5.	001190SP	4	Bolt
*	001870SP	2	Washer, Lock 5/16
*	026172SP	2	Nut
6.	016771SP	6	Lock Nut
7.	026174SP	4	Rod End
8.	001626SP	4	Nut
9.	047176SP	2	Bar, Front Control Rod
10.	046159SP	2	Carriage Bolt
11.	963814SP	1	LH Activator Assy
12.	963813SP	1	Cross Shaft Assy
13.	044979SP	2	Flange Bearing
14.	001870SP	4	Washer, Lock 5/16
15.	002593SP	4	Bolt, Hex 5/16 x 1
16.	047163SP	4	Clamp, Cable, Series 40
17.	047312SP	2	Screw, Cap Hex Head 1
18.	047161SP	1	Cable, Push-Pull 49.5
19.	047331SP	1	Cable, Push-Pull 53"
20.	035883SP	2	Rod End Assy
21.	047313SP	2	Nut, Sleeve 10-24 x 1"



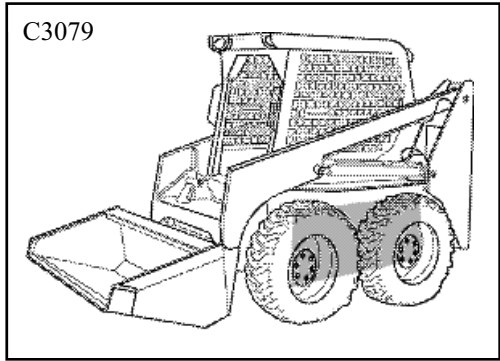
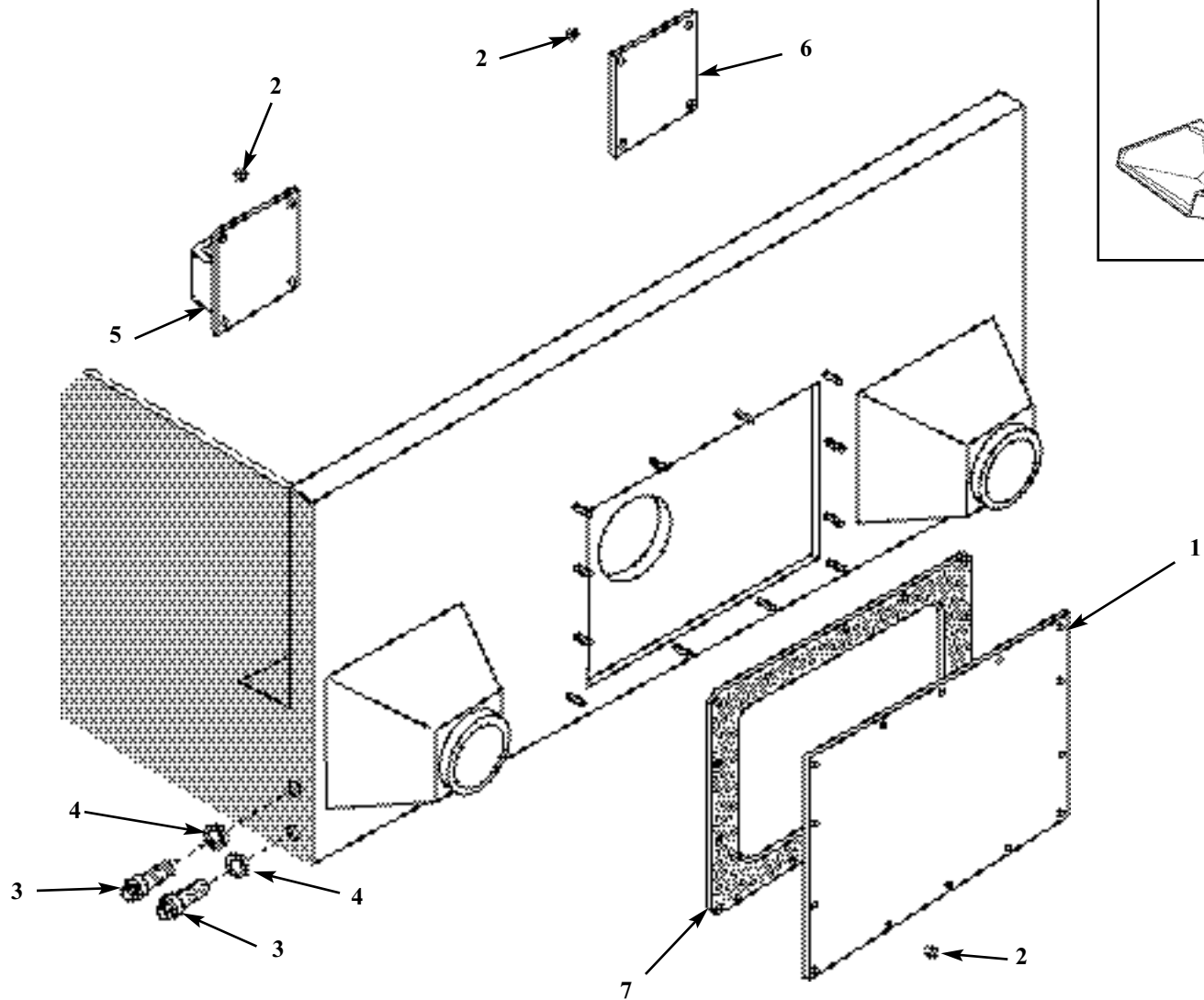
Pos NO.	Part No.	Qty	Description
1	038517SP	1	Knob, Red Ball
2	960571SP	1	Throttle Handle Assy
3	028982SP	1	Boot, Throttle Cable
4	007416SP	1	Spring
5	001643SP	2	Washer
6	007465SP	1	Nut, Hex
7	023096SP	3	Set Collar
8	001671SP	1	Bolt
9	023371SP	1	Friction Pad
10	962200SP	1	Throttle Control Assy
11	031654SP	1	Bar, Throttle
12	044323SP	1	Nut, Jam
13	001650SP	2	Washer, Flat
14	002663SP	1	Bolt



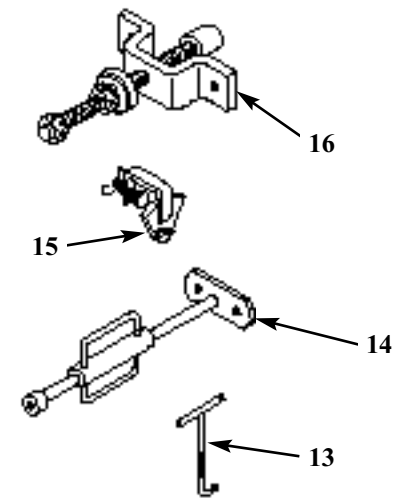
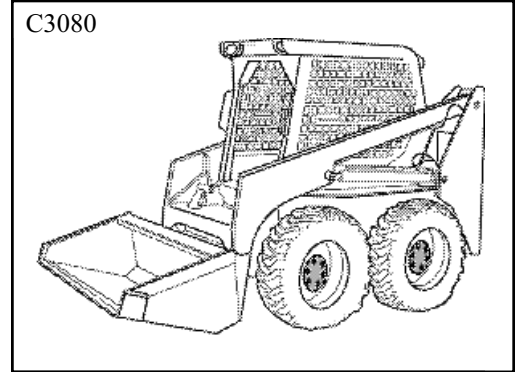
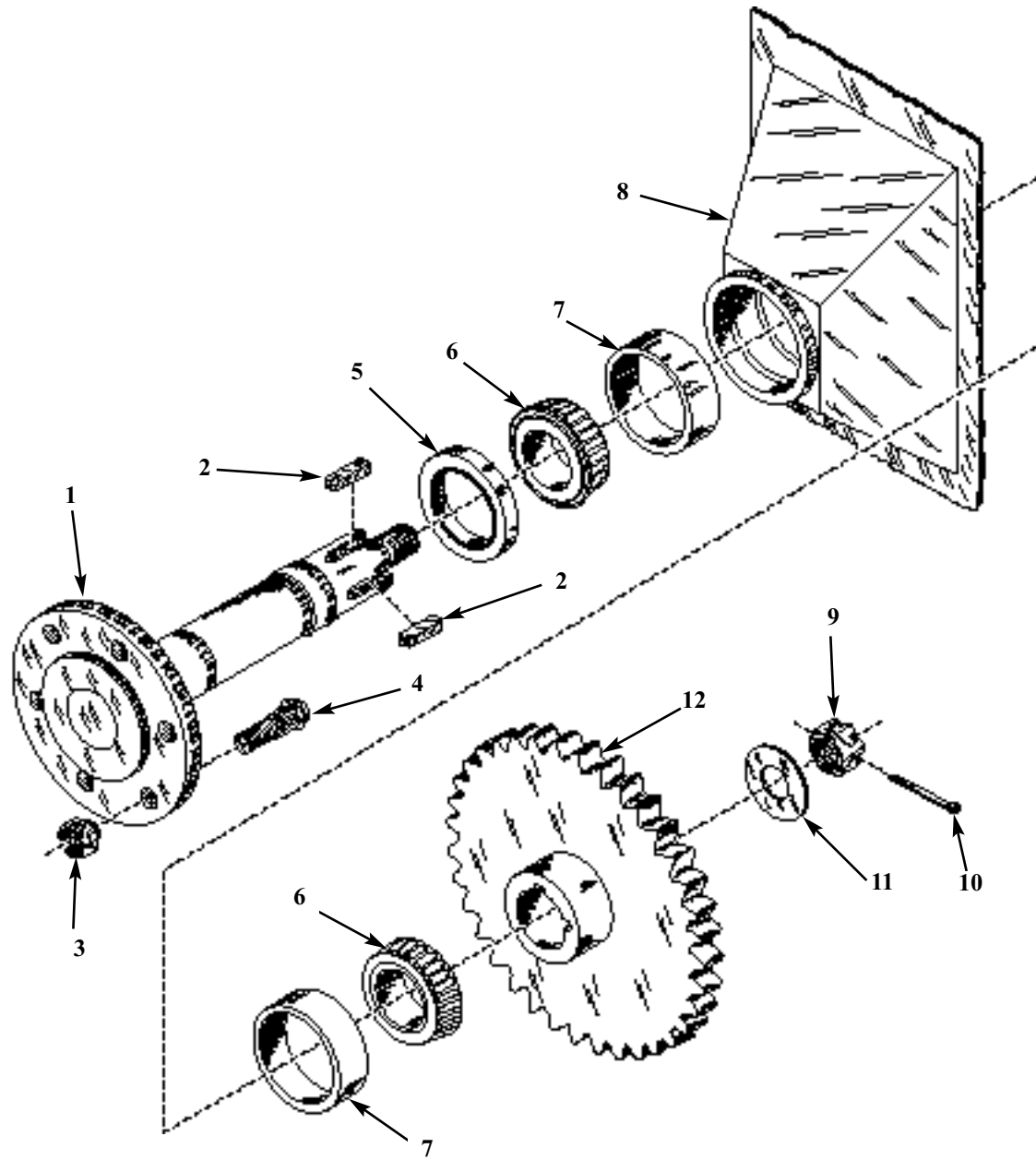
Pos NO.	Part No.	Qty	Description
1	026172SP	1	Nut, Jam
2	008613SP	2	Nut, Nylock
3	043005SP	2	Stud, Ball
4	043004SP	1	Gas Spring
5	042950SP	1	Switch, Dual
6	046034SP	2	Screw
7	002811SP	2	Washer, Lock
8	963840SP	1	Restraint Bar Assy
9	040553SP	2	Spacer
10	001870SP	1	Lockwasher

3. FINAL DRIVE TRANSMISSION

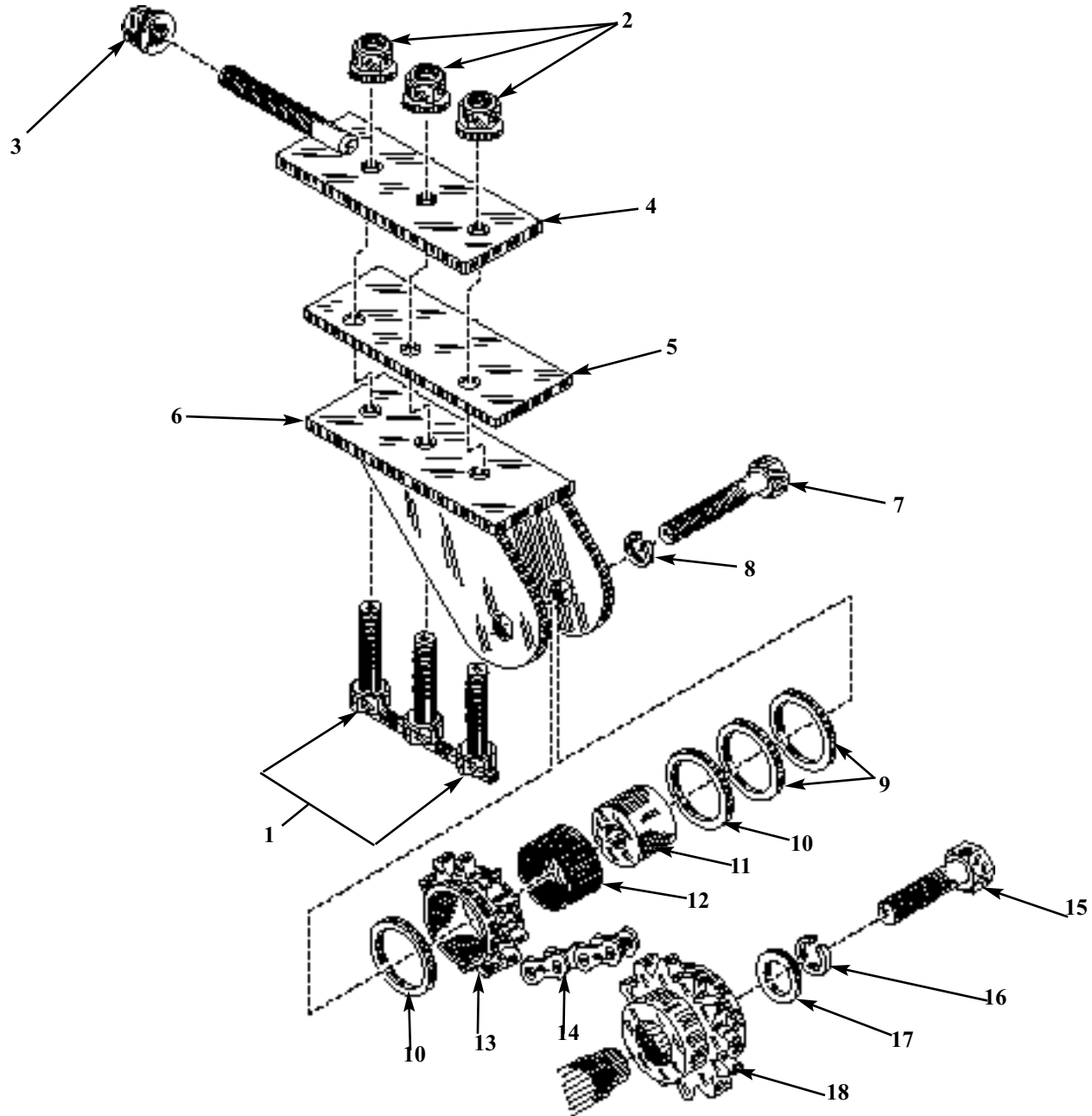
Transmission Housing.....	3.1
Axle Assembly.....	3.2
Chain Tightener Assy.....	3.3



Pos NO.	Part No.	Qty	Description
1	052415SP	2	Inspection Cover
2	043558SP	40	Nut, Hex Flange
3	044357SP	4	Plug, Hex
4	044358SP	4	Washer, Nylon
5	963816SP	1	Axle Cover Assy, RH
5	963815SP	1	Axle Cover Assy, LH
6	022462SP	2	Axle Cover Assy, Rear
7	046457SP	2	Gasket, Trans. Inspection Cover



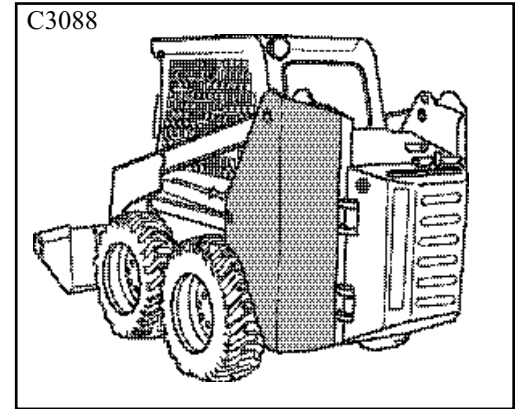
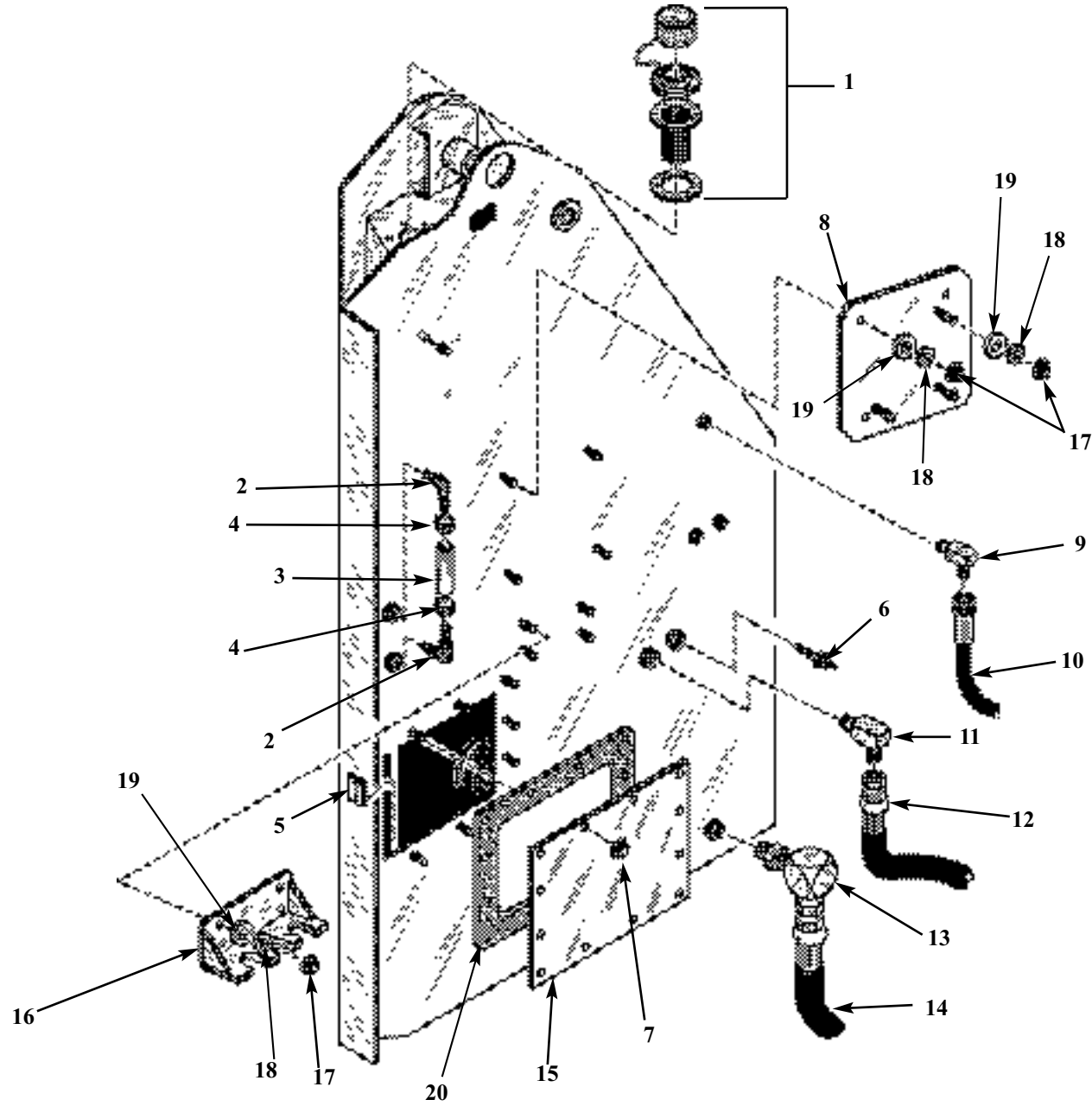
Pos NO.	Part No.	Qty	Description
1	960437SP	4	Axle Assy
2	022379SP	8	Key
3	005832SP	24	Wheel Nut
4	026188SP	24	Wheel Stud
5	003667SP	4	Seal
6	003665SP	8	Bearing
7	005968SP	8	Bearing Cup
8	958730SP		Tower, Axle Replacement
9	014877SP	4	Nut, Castle
10	001634SP	4	Cotter Pin
11	022448SP	4	Washer, Axle
12	031058SP	4	Sprocket
13	960997SP	1	Chain Tension Tool
14	955283SP	1	Axle Extractor Tool
15	955281SP	3	Seal Installation Tool
16	955280SP	1	Axle Installation Tool
	049490SP	2	Axle Cover Gasket



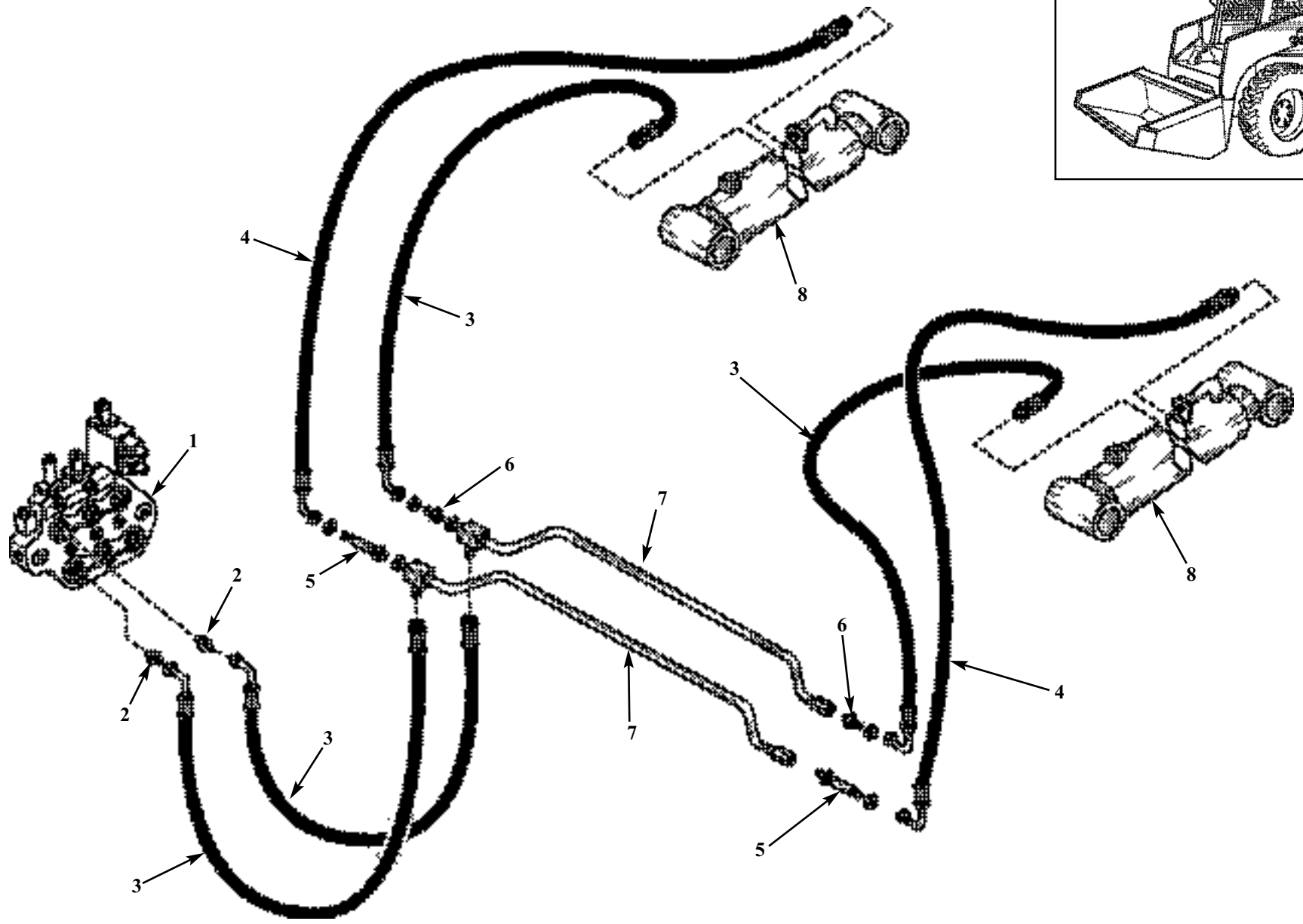
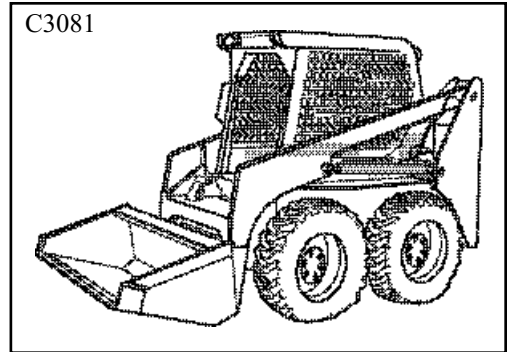
Pos NO.	Part No.	Qty	Description
1	962216SP	2	Tightener, Bolt Assy (with Nuts)
2	043388SP	6	Nuts (come with Item #1)
3	033547SP	2	Nut, Flange
4	954621SP	2	Chain Tightener Adjuster Assy
5	022467SP	2	Plate
6	954622SP	1	LH Mount
6	954623SP	1	RH Mount
7	023256SP	2	Bolt
8	023258SP	2	Washer, Lock
9	024942SP	4	Spacer, Washer
10	022960SP	4	Thrust Washer
11	019813SP	2	Shaft, Idler
12	022950SP	2	Bearing
13	022302SP	2	Idler Sprocket
14	023706SP	1	RH Chain
14	023707SP	1	LH Chain
15	001193SP	2	Bolt
16	001642SP	2	Washer, Lock
17	042546SP	2	Washer, Flat
18	042371SP	2	Sprocket

4. HYDRAULIC SYSTEM

Oil Reservoir	4.1
Boom Lift Circuit	4.2
Boom Lift Circuit w/Self Level Valve	4.3
Bucket Tilt Circuit	4.4
Bucket Tilt Circuit w/Self Level Valve	4.5
Auxiliary Hydraulic Circuit w/Accumulator	4.6
(To S/N LE011265, S/N LN004122)	
Auxiliary Hydraulic Circuit w/Accumulator	4.7
(S/N LE011266, S/N LN004123 Onward)	
Control Valve	4.8
Hydraulic Oil Filter (To S/N LN004999, LE011499)	4.9
Hydraulic Oil Filter (S/N LN005000, LE011500 Onward)	4.10
Lift Cylinder	4.11
Tilt Cylinder	4.12

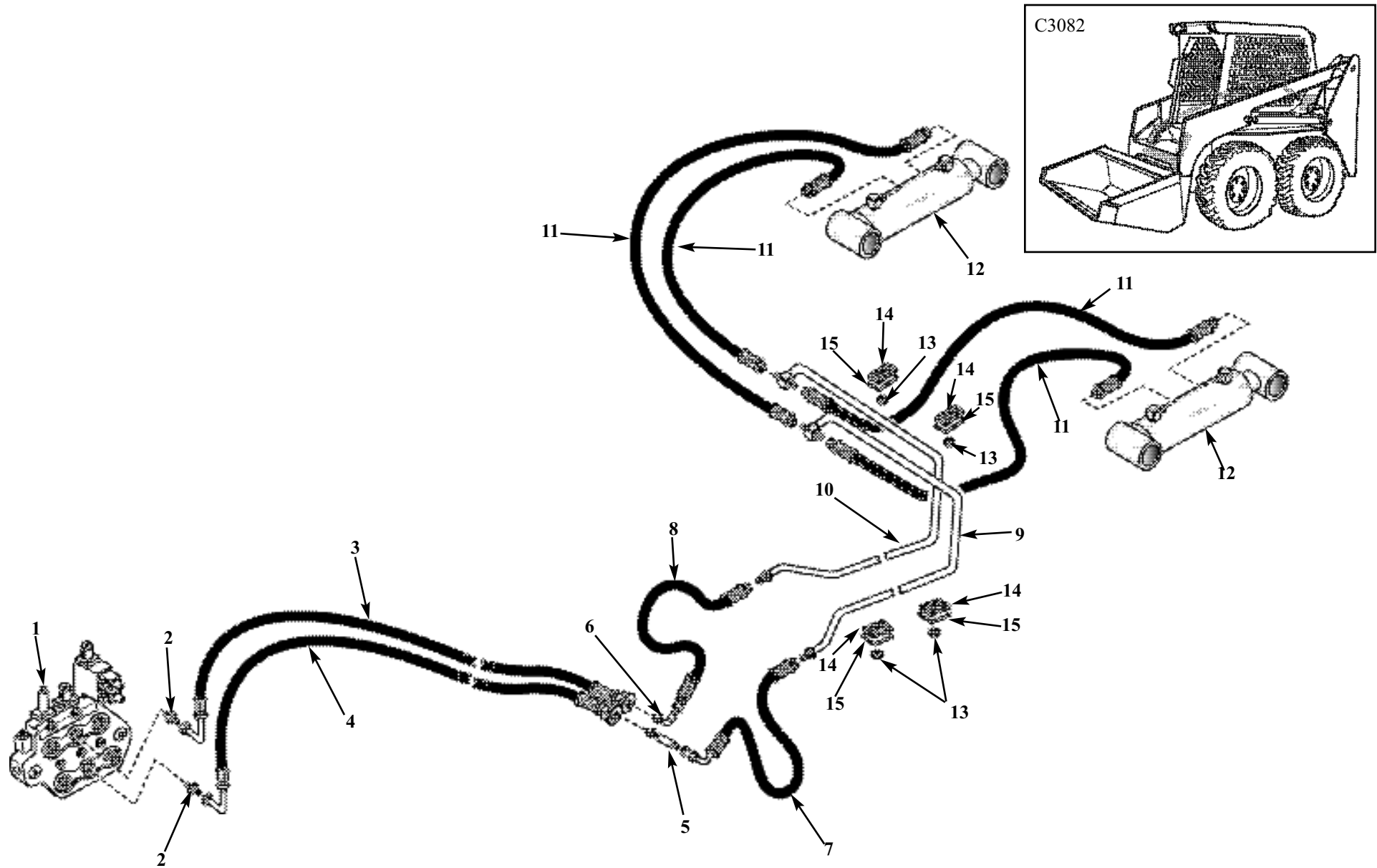


Pos NO.	Part No.	Qty	Description
1	036733SP	1	Breather, Filler Cap Assy
2	034903SP	2	Elbow
3	000698SP	1	Sight Glass
4	034919SP	2	Clamp
5	032478SP	1	Magnet
6	037206SP	1	Temperature Sender
7	043558SP	23	Nut, Hex Flg. 5/16
8	962099SP	1	Valve Mount
9	021701SP	1	Elbow
10	962629SP	1	Hose, Hydraulic
11	019235SP	1	Elbow
12	962400SP	1	Hose, Hydraulic
13	038652SP	1	Elbow
14	964691SP	1	Hose, Hydraulic
15	022381SP	1	Inspection Cover
16	963817SP	1	Cable, Bulkhead
*	043902SP	8	Lockwasher, Ext Tooth
17	001191SP	5	5/16" Nut
18	001870SP	5	Washer, Lock 5/16"
19	001651SP	5	Washer, Flat 5/16"
20	046458SP	1	Gasket, Oil Tank Inspection Cover

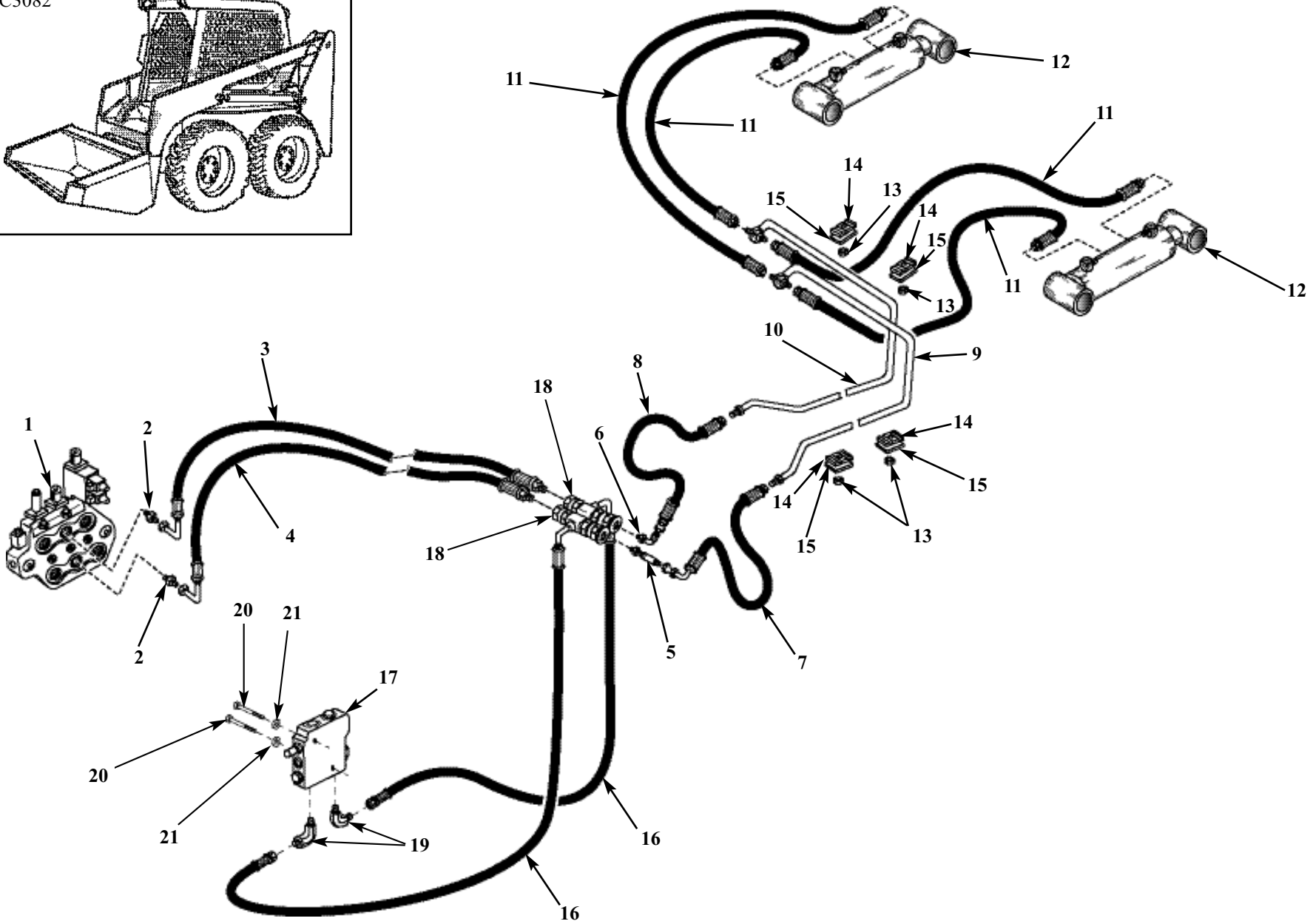
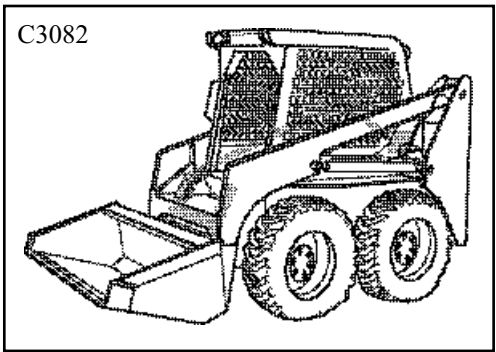


Pos NO.	Part No.	Qty	Description
1	047803SP	1	Valve, Assy. Solenoid Auxiliary with Control Boxes
2	020182SP	2	Connector
3	960945SP	4	Hose, Hyd.
4	960946SP	2	Hose, Hyd.
5	038562SP	2	Connector
6	039041SP	2	Connector
7	037819SP	2	Tube Assy
8	039981SP	2	Lift Cylinder (153)
9	039980SP	2	Lift Cylinder (135/137)

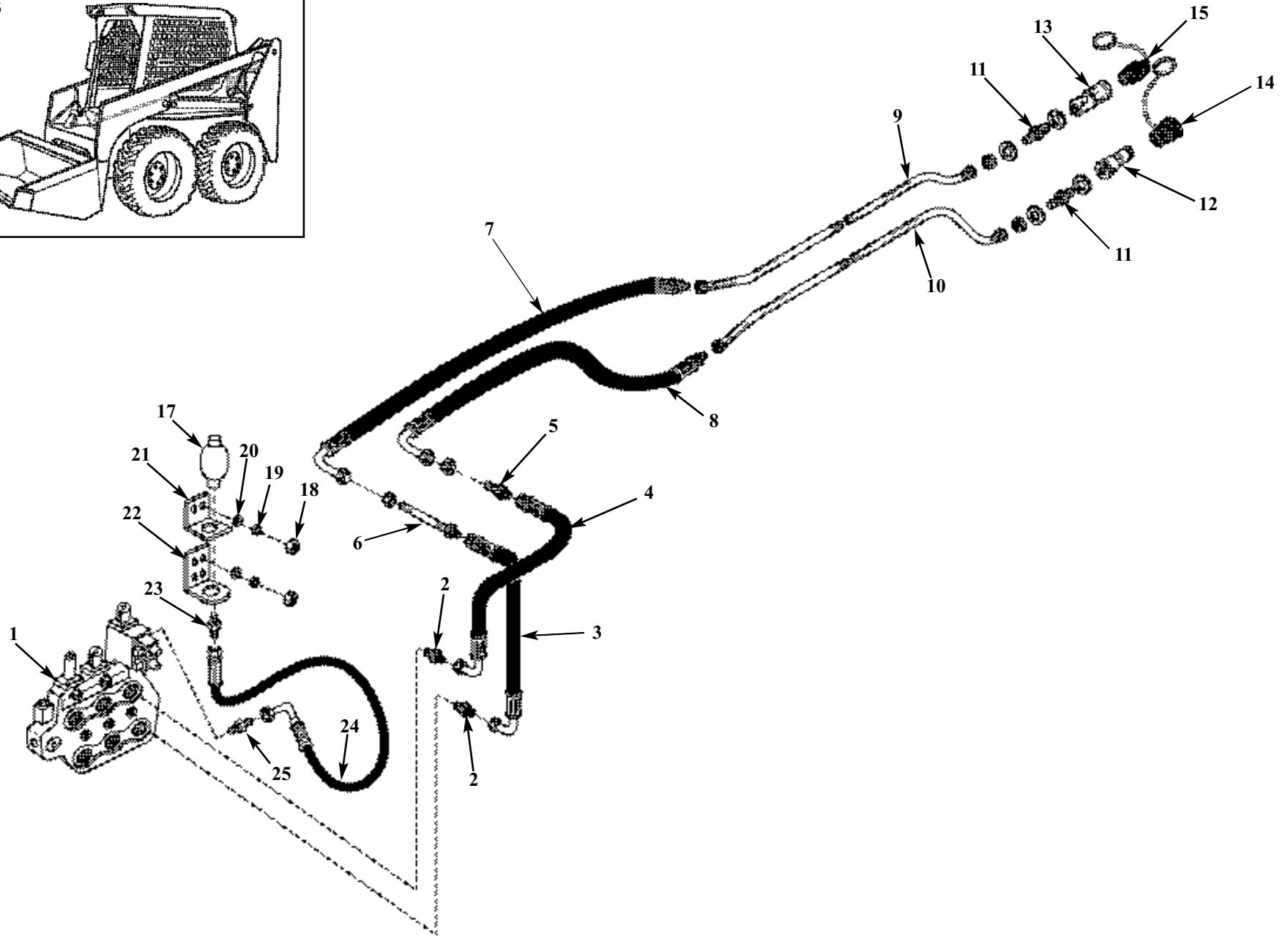
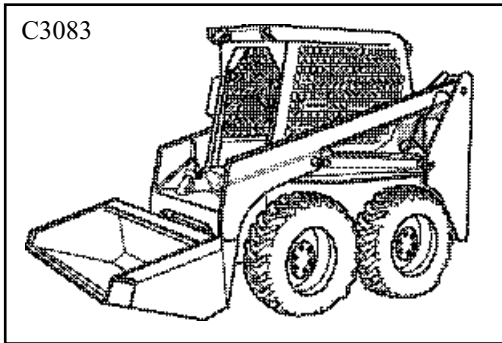
Pos NO.	Part No.	Qty	Description
1	047803SP	1	Valve, Assy. Solenoid Auxiliary with Control Boxes
2	020182SP	2	Connector
3	960945SP	4	Hose, Hyd.
4	960946SP	2	Hose, Hyd.
5	038562SP	2	Connector
6	039041SP	2	Connector
7	037819SP	2	Tube Assy
8	039981SP	2	Lift Cylinder (153)
8	039980SP	2	Lift Cylinder (135TA/137)
9	962370SP	1	Hose, Hyd. 3/8" x 61"
10	962369SP	1	Hose, Hyd. 3/8" x 68"
11	043487SP	1	Valve, Self Level Assy
*	963414SP	1	Kit, Self Level Valve
12	020182SP	2	Conn. 3/4" JIC M x 7/8" ORB
13	025465SP	2	Bolt, 5/16" x 2 1/4" St.
14	017441SP	2	Washer, Lock St.



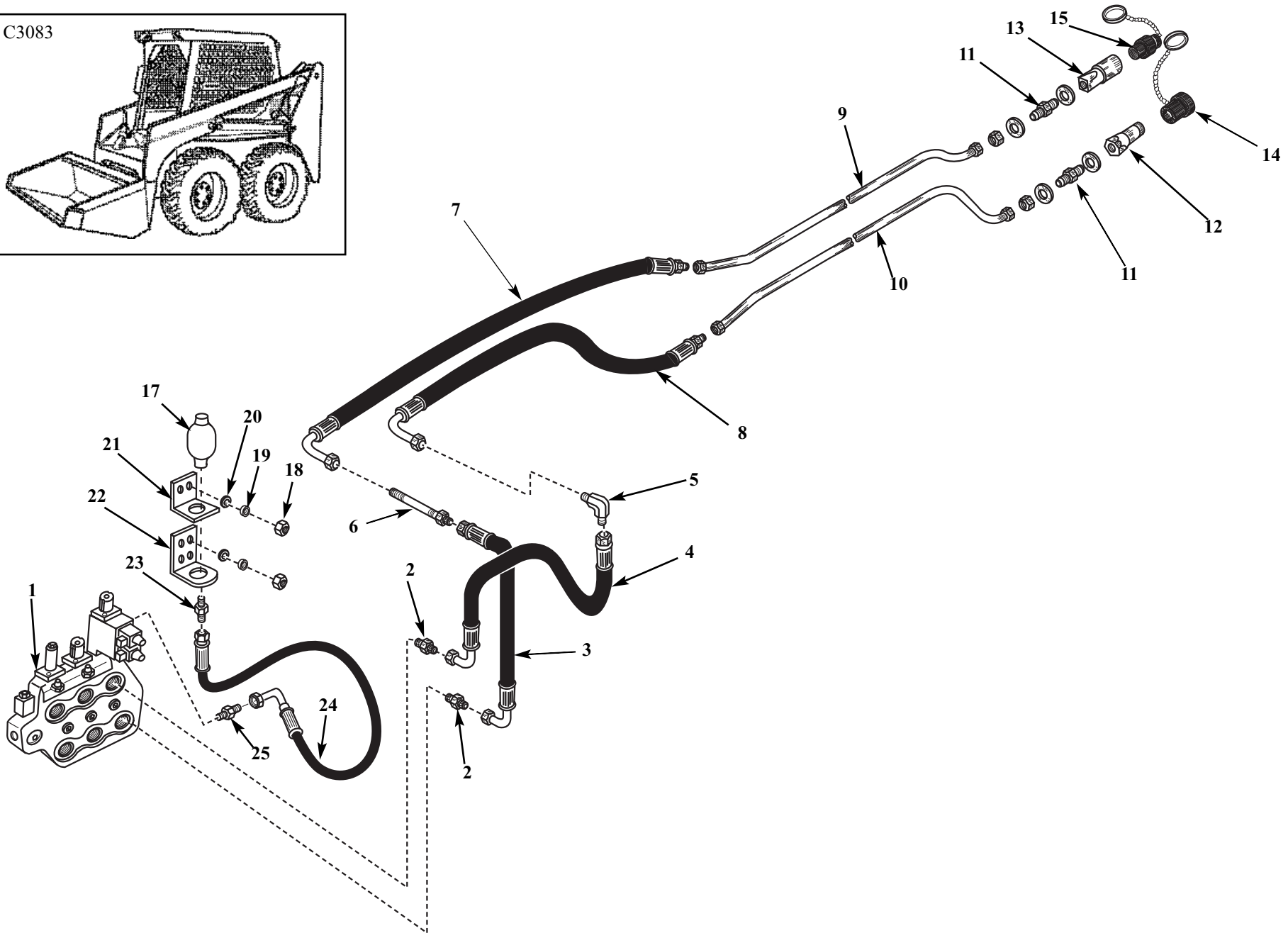
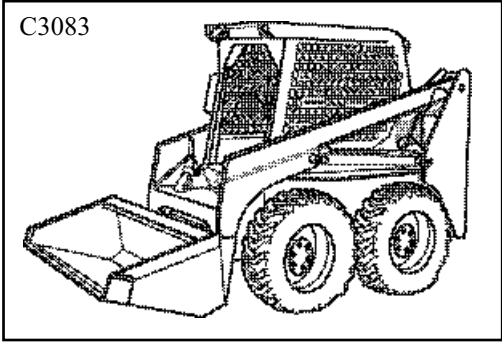
Pos NO.	Part No.	Qty	Description
1	047803SP	1	Valve, Assy. Solenoid Auxiliary with Control Boxes
2	020182SP	2	Connector
3	962366SP	1	Hose, Hydraulic
4	962367SP	1	Hose, Hydraulic
5	038562SP	1	Connector, Bulkhead
6	039042SP	1	Connector, Bulkhead 90 deg.
7	960948SP	1	Hose, Hydraulic
8	962399SP	1	Hose, Hydraulic
9	023356SP	1	Tube Assy
10	023355SP	1	Tube Assy
11	961245SP	4	Hose, Hydraulic
12	039982SP	2	Tilt Cylinder
13	016771SP	4	Nut
14	038302SP	4	Tubing Clamp
15	038472SP	4	Plate, Cover Twin



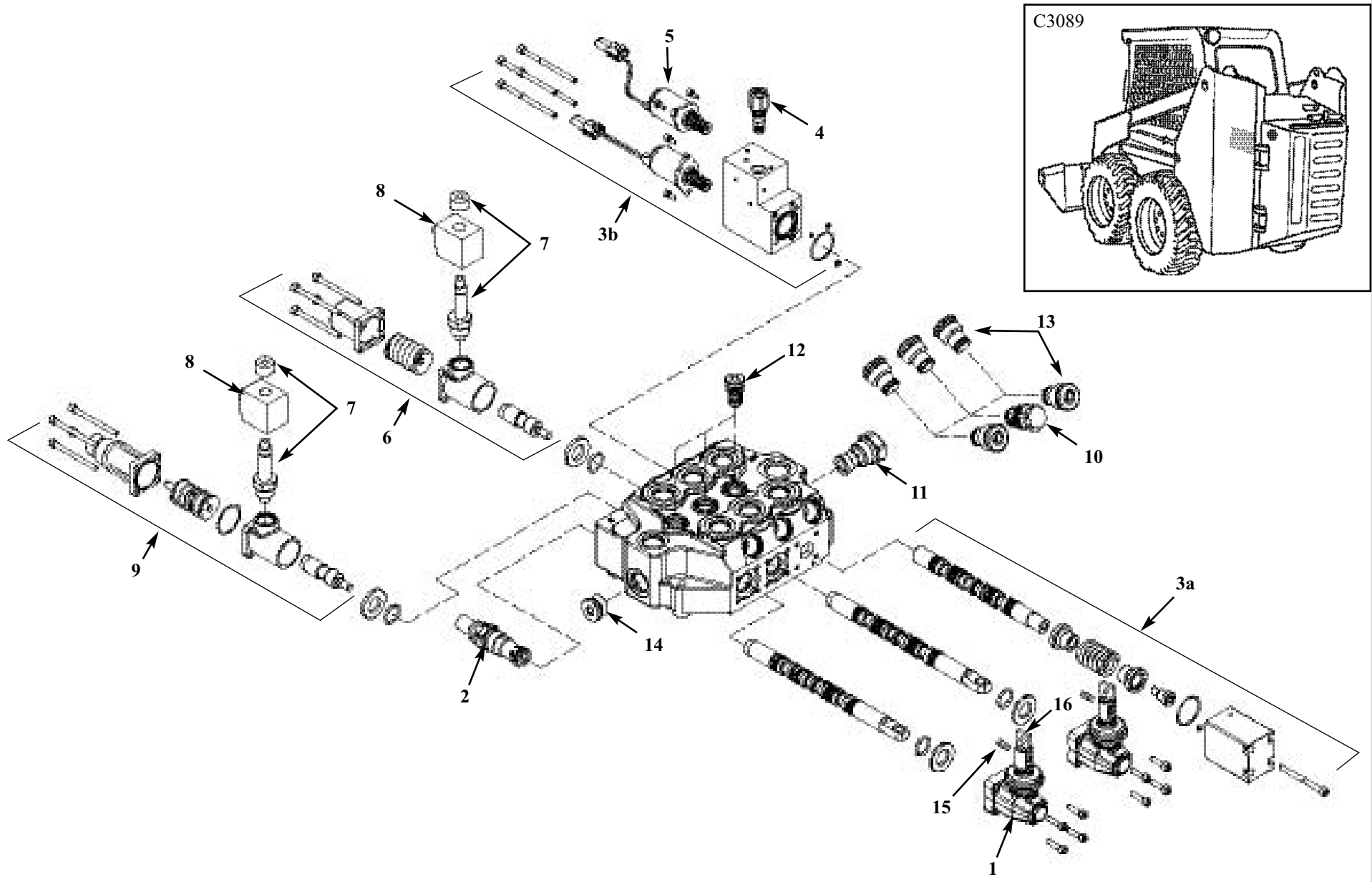
Pos NO.	Part No.	Qty	Description
1	047803SP	1	Valve, Assy. Solenoid Auxiliary with Control Boxes
2	020182SP	2	Connector
3	962366SP	1	Hose, Hydraulic
4	962367SP	1	Hose, Hydraulic
5	038562SP	1	Connector, Bulkhead
6	039042SP	1	Connector, Bulkhead 90 deg.
7	960948SP	1	Hose, Hydraulic
8	962399SP	1	Hose, Hydraulic
9	023356SP	1	Tube Assy
10	023355SP	1	Tube Assy
11	961245SP	4	Hose, Hydraulic
12	039982SP	2	Tilt Cylinder
13	016771SP	4	Nut
14	038302SP	4	Tubing Clamp
15	038472SP	4	Plate, Cover Twin
16	962367SP	2	Hose, Hyd 3/8" x 39"
17	043487SP	1	Valve, Self Level Assy
*	963414SP	1	Kit, Self Level Valve
18	026641SP	2	Tee, Run 3/4" JIC M x 3/4" JIC M x 3/4" JIC F Sw.
19	020194SP	2	Elbow, 90 deg., 3/4" JIC M x 7/8" ORB M.
20	025465SP	2	Bolt, 5/16" x 2 1/4" St.
21	017441SP	2	Washer, Lock 5/16" St.



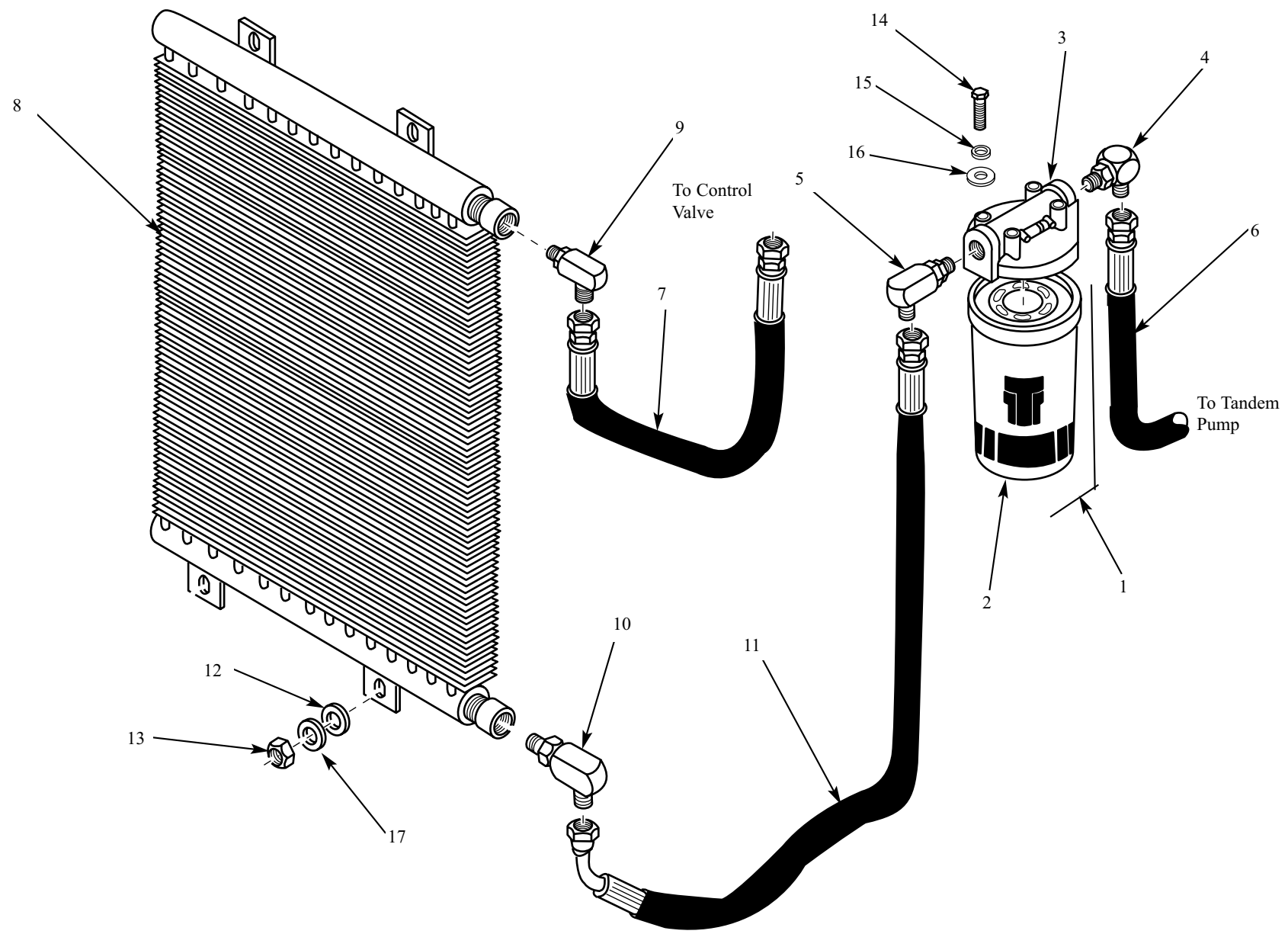
Pos No.	Part No.	Qty	Description
1.	047803SP	1	Valve, Assy. Solenoid Auxiliary with Control Boxes
2.	020182SP	2	Elbow
3.	962119SP	1	Hose, Hydraulic
4.	962080SP	1	Hose, Hydraulic
5.	039042SP	1	Connector, Bulkhead
6.	038562SP	1	Connector, Bulkhead, Long
7.	960948SP	1	Hose, Hydraulic
8.	962399SP	1	Hose, Hydraulic
9.	029478SP	1	Tube, Hydraulic
10.	035388SP	1	Tube, Hydraulic
11.	049030SP	2	Connector, Bulkhead
12.	048593SP	1	Coupling, Male
13.	048592SP	1	Coupling, Female
14.	048594SP	1	Cover, Male Coupling
15.	048595SP	1	Cover, Female Coupling
17.	046118SP	1	Accumulator, Diaphram
18.	001191SP	4	Nut, Hex 5/16"
19.	001870SP	4	Washer, Lock 5/16"
20.	001651SP	4	Washer, Flat 5/16" 26
21.	046165SP	1	Sheet, Accumulator Mount, Top
22.	046166SP	1	Sheet, Accumulator Mount, Bottom
23.	021121SP	1	Connector, M 6 9/16"
24.	963294SP	1	Hydraulic Hose, 1/4" x 16 1/2"
25.	036855SP	1	Connector, M 4 7/16"



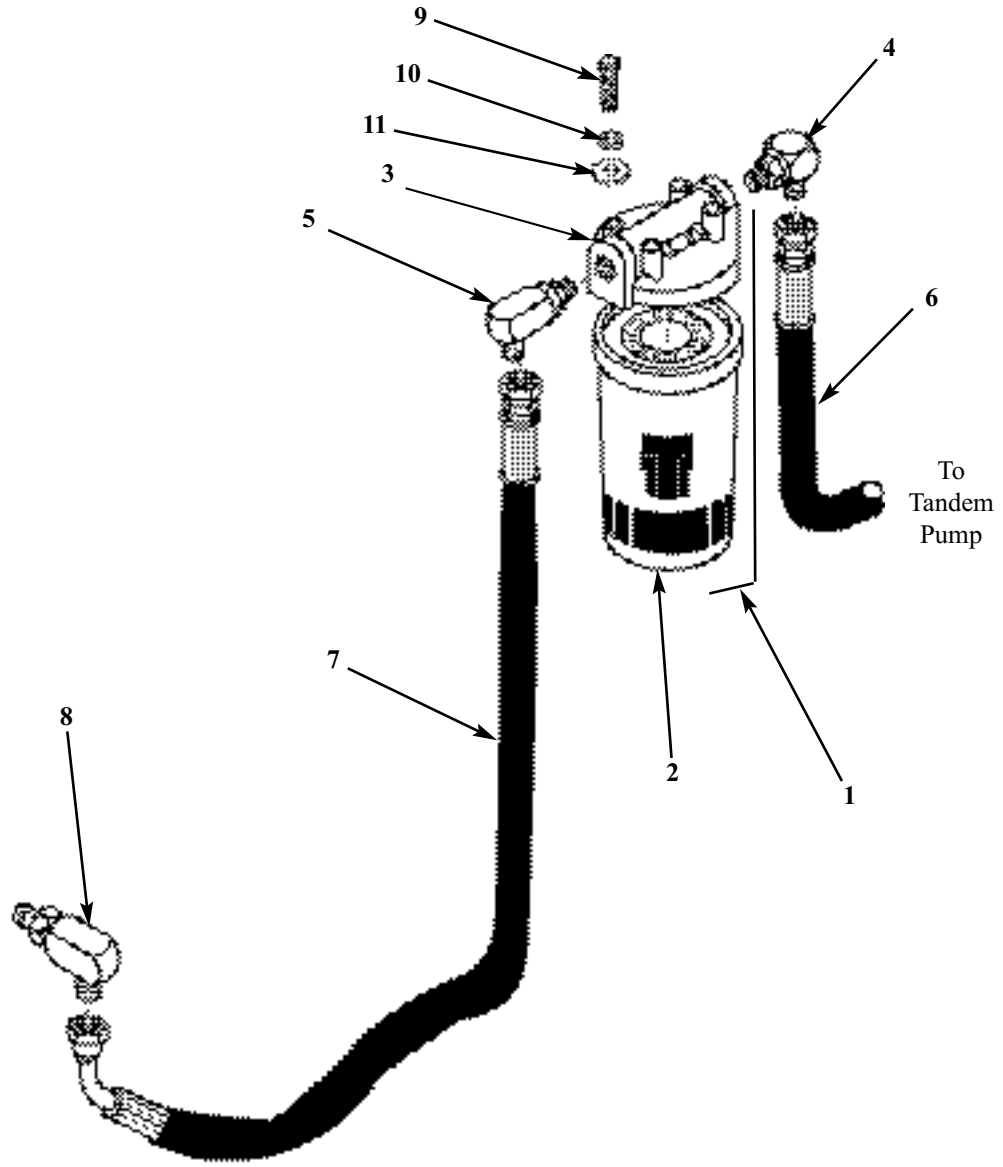
Pos No.	Part No.	Qty	Description
1.	047803SP	1	Valve, Assy. Solenoid Auxiliary with Control Boxes
2.	019226SP	2	Elbow
3.	965687SP	1	Hose, Hydraulic
4.	965688SP	1	Hose, Hydraulic
5.	039042SP	1	Connector, Bulkhead
6.	038562SP	1	Connector, Bulkhead, Long
7.	965685SP	1	Hose, Hydraulic
8.	965686SP	1	Hose, Hydraulic
9.	049998SP	1	Tube, Hydraulic
10.	049997SP	1	Tube, Hydraulic
11.	029437SP	2	Connector, Bulkhead
12.	048593SP	1	Coupling, Male
13.	048592SP	1	Coupling, Female
14.	048594SP	1	Cover, Male Coupling
15.	048595SP	1	Cover, Female Coupling
17.	046118SP	1	Accumulator, Diaphragm
18.	001191SP	4	Nut, Hex 5/16"
19.	010870SP	4	Washer, Lock 5/16"
20.	001651SP	4	Washer, Flat 5/16" 26
21.	406165SP	1	Sheet, Accumulator Mount, Top
22.	046166SP	1	Sheet, Accumulator Mount, Bottom
23.	021121SP	1	Connector, M 6 9/16"
24.	963294SP	1	Hydraulic Hose, 1/4" x 16 1/2"
25.	036855SP	1	Connector, M 4 7/16"



Pos No.	Part No.	Qty	Description
	965272SP	1	Kit, Valve Replacement (For 153 machines from S/N LN002000 to LN002683)
	047803SP	1	Valve, Assy. Solenoid Auxiliary with Control Boxes (For 153 machines S/N LN002684 onward, and all 135 and 137 machines)
1.	044935SP	2	Kit, Control Lever Box
2.	049078SP	1	Valve, Main Relief
3.	049079SP	1	Kit, Auxiliary Circuit w/o Spool
4.	052599SP	1	Connector
5.	049082SP	2	Coil, Auxiliary Solenoid
6.	049080SP	1	Kit, Tilt Circuit w/o Spool
7.	052076SP	2	Spool, Lock Assy.
8.	049083SP	2	Coil, Solenoid Lock Assy.
9.	049081SP	1	Kit, Lift Circuit w/o Spool
10.	049076SP	1	Valve, Anticavitation
11.	046678SP	1	Valve, Back Pressure
12.	043722SP	1	Valve, Check
13.	044190SP	5	Plug, Anti-Cavitation Replacement
14.	052600SP	1	Plug
15.	044473SP	2	Screw, Set
16.	044299SP	2	Bar, Control Lever Linkage
*	052646SP	1	Seal Kit, O-Ring

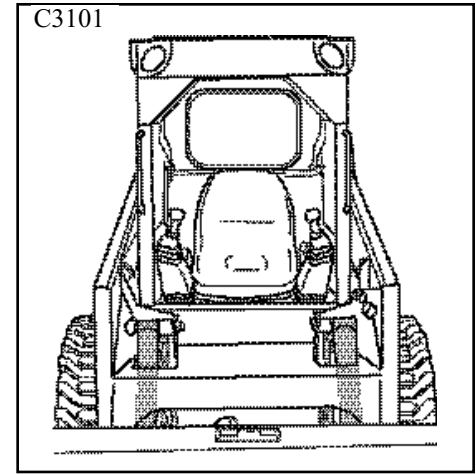
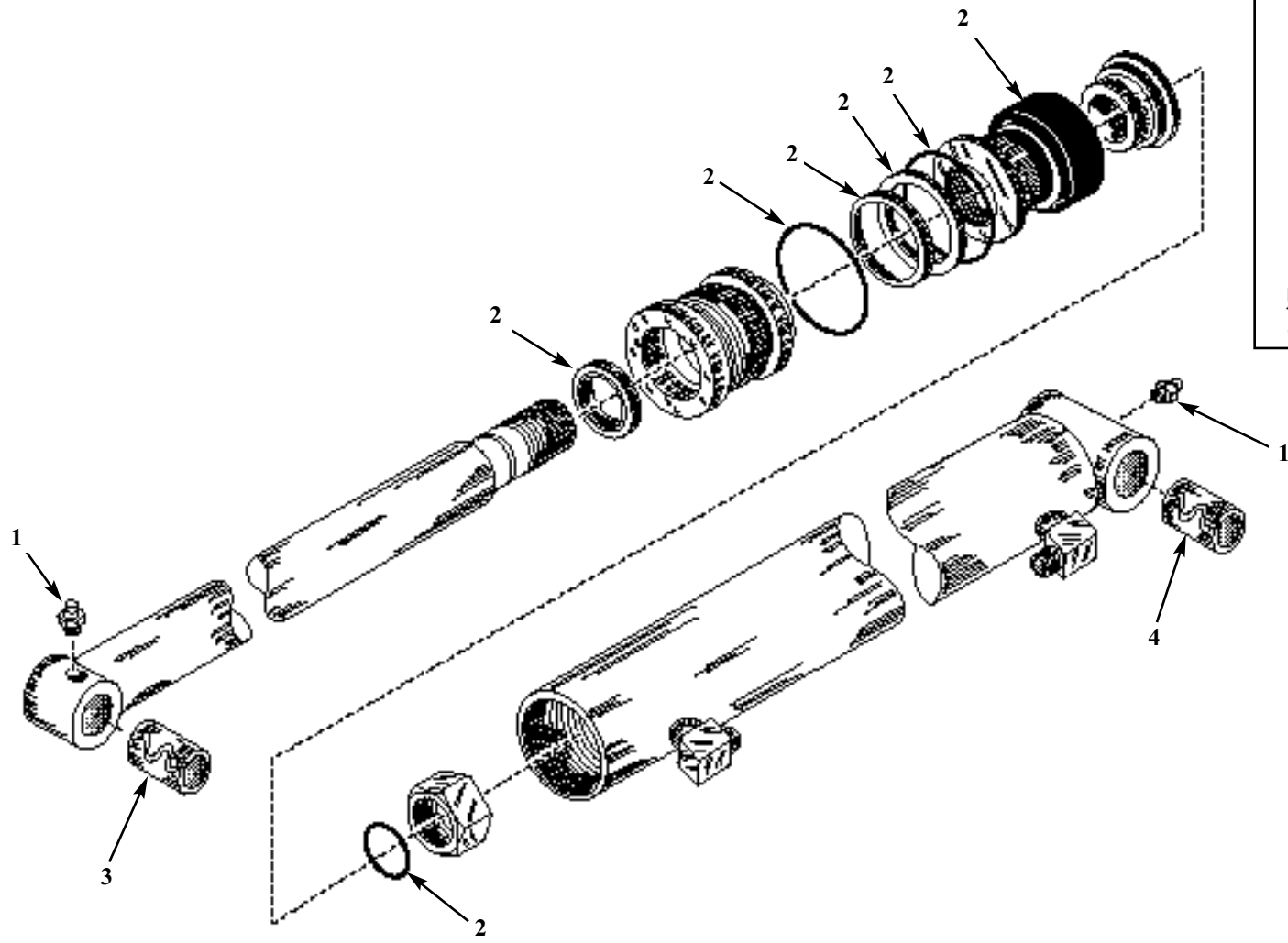


Pos No.	Part No.	Qty	Description
1	042556SP	1	Filter, Hyd. Ass'y
2	035243SP	1	Filter Element
3	042557SP	1	Head, Filter Hyd. Ass'y
4	025011SP	1	Elbow
5	014866SP	1	Elbow
6	962110SP	1	Hose
7	963337SP	1	Hose
8	046146SP	1	Oil Cooler
9	038386SP	1	Elbow
10	038386SP	1	Elbow
11	963338SP	1	Hose
12	001651SP	4	Washer, Flat
13	016771SP	4	Nut
14	001193SP	4	Bolt
15	001642SP	4	Washer, Lock
16	001643SP	4	Washer, Flat
17	001870SP	4	Washer, Lock



Pos No.	Part No.	Qty	Description
1	042556SP	1	Filter, Hyd. Assy
2	035243SP	1	Filter Element
3	042557SP	1	Head, Filter Hyd. Assy
4	025011SP	1	Elbow
5	014866SP	1	Elbow
6	962110SP	1	Hose
7	966221SP	1	Hose
8	023864SP	1	Elbow
9	001193SP	4	Bolt
10	001642SP	4	Washer, Lock
11	001643SP	4	Washer, Flat

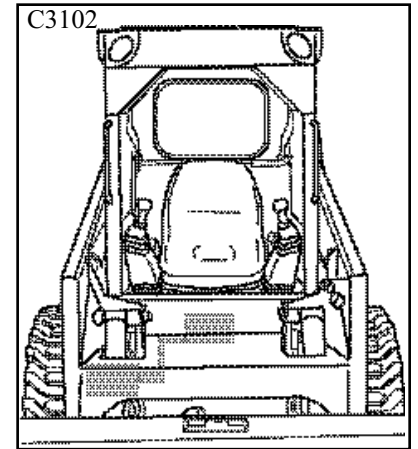
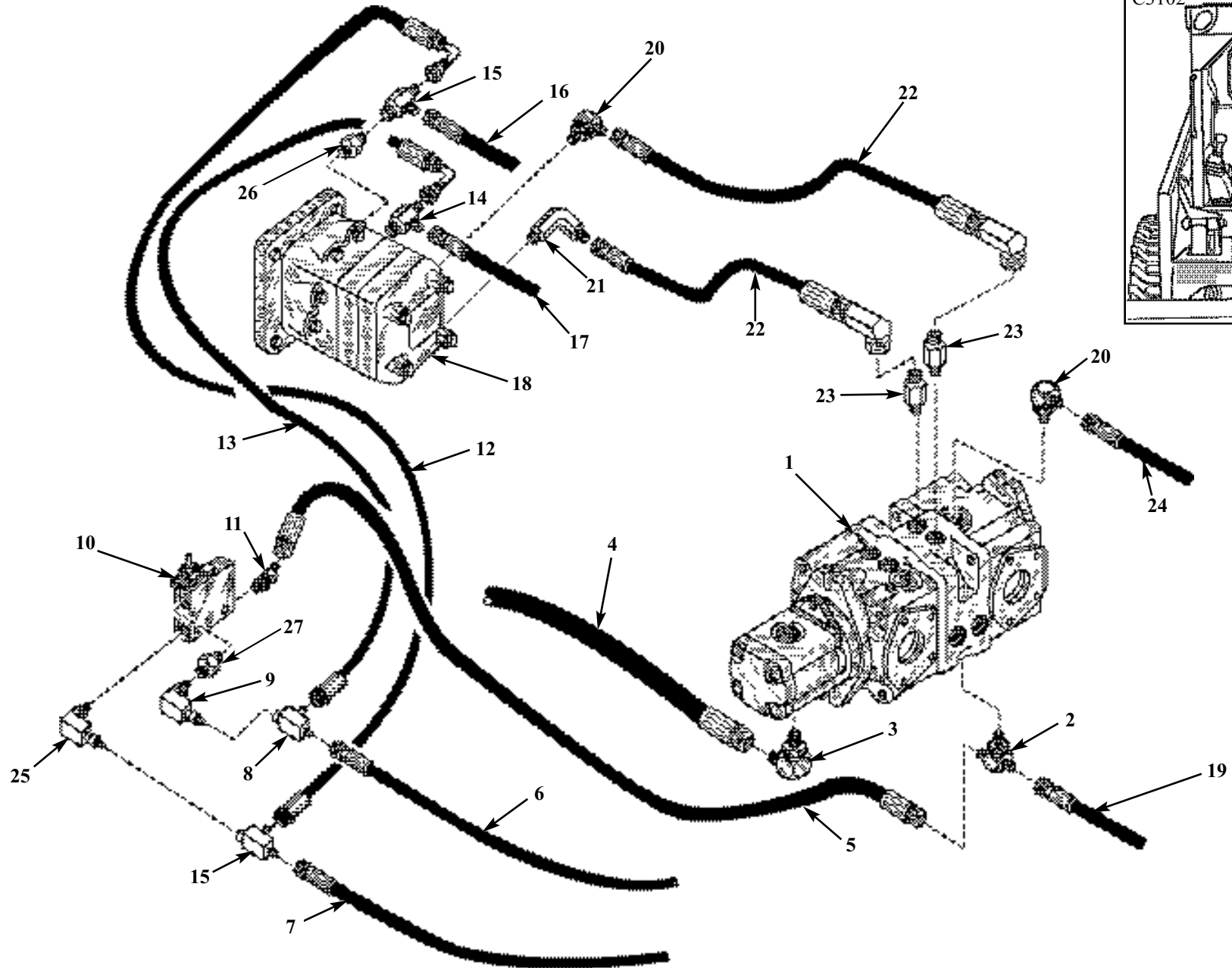
Pos No.	Part No.	Qty	Description
	039981SP	2	Lift Cylinder, Complete (153)
	039980SP	2	Lift Cylinder, Complete (135TA/137)
1	041209SP	1	Seal Kit, Complete (153)
1	041201SP	1	Seal Kit, Complete (135TA/137)
2	002010SP	1	Grease Fitting
3	035451SP	1	Grease Fitting, 90 deg.



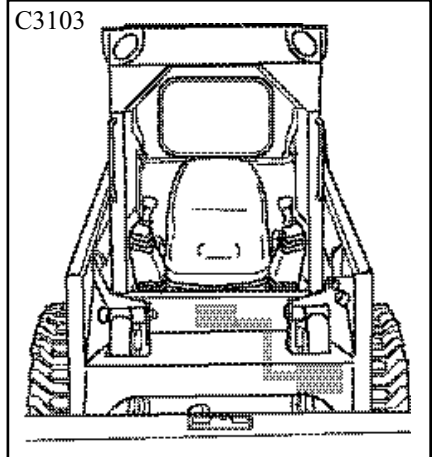
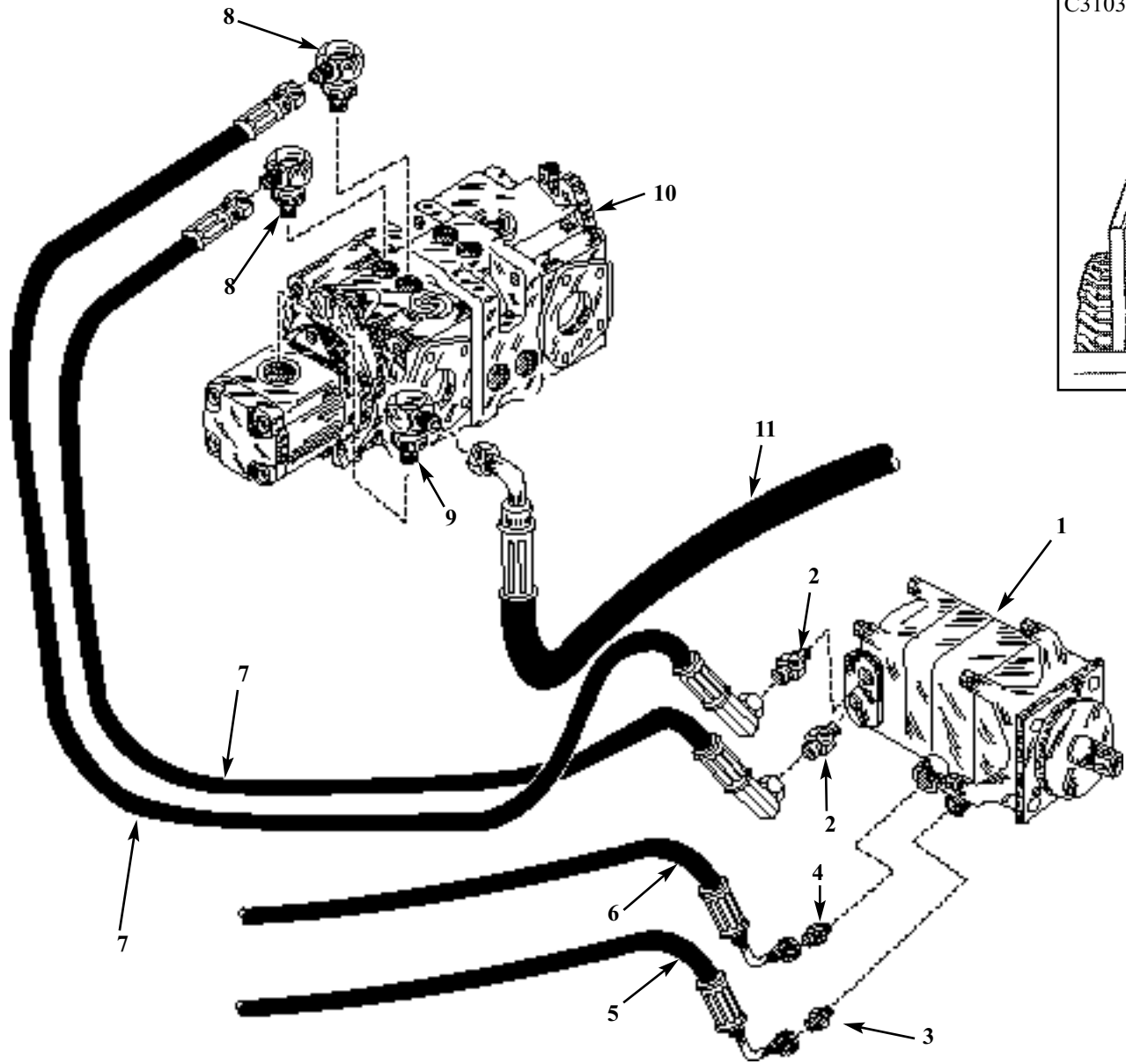
Pos No.	Part No.	Qty	Description
	039982SP	2	Complete Tilt Cylinder
1	035451SP	2	Grease Fitting
2	041209SP	1	Seal Kit, Complete
3	031032SP	1	Hardened Bushing
4	041208SP	1	Hardened Bushing

5. HYDROSTATIC DRIVE SYSTEM

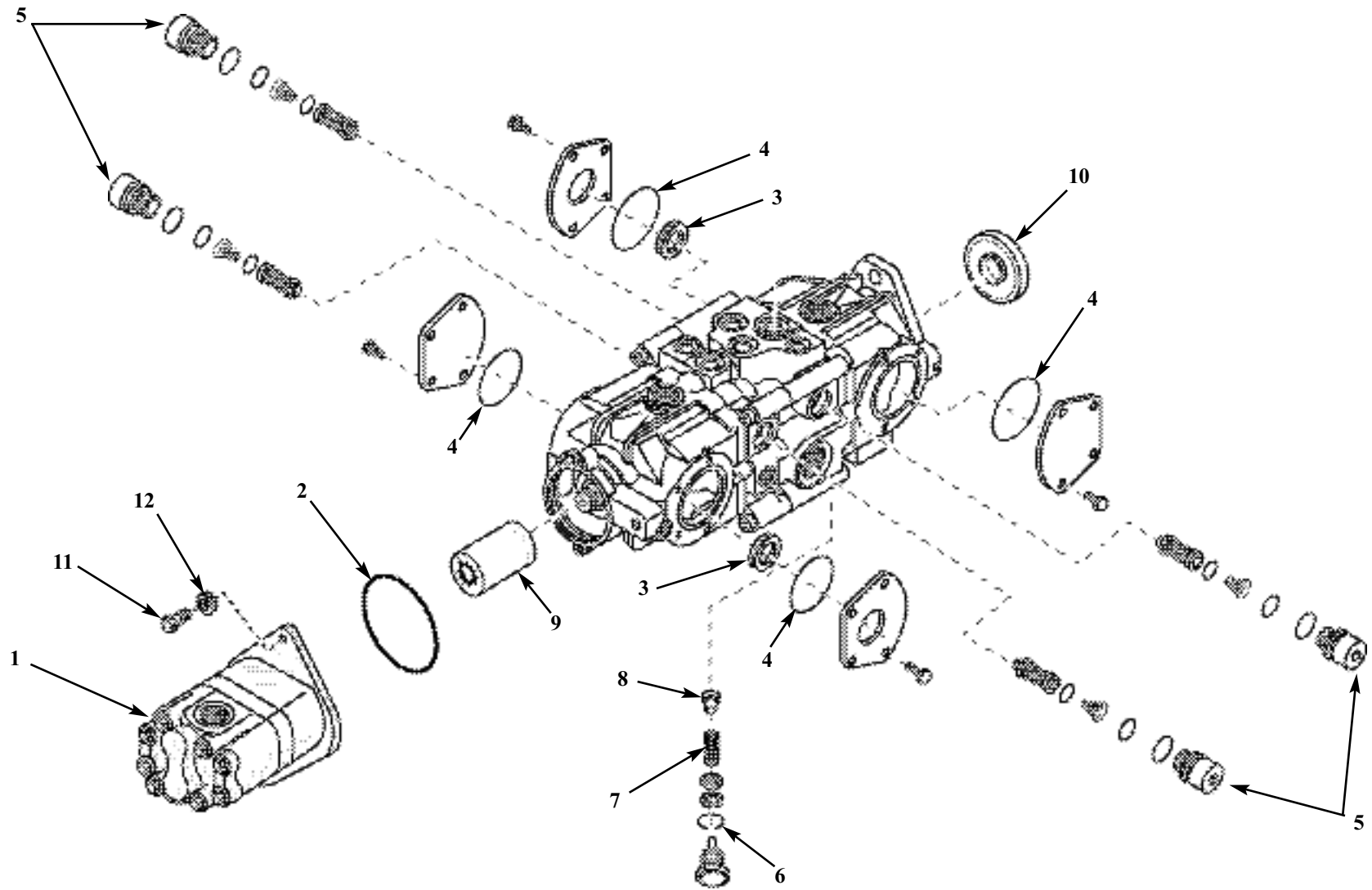
Hydrostatic Drive Circuit (RH).....	5.1
Hydrostatic Drive Circuit (LH).....	5.1
Hydrostatic Pump.....	5.2
Torque Motor.....	5.3
Brake Valve	5.4



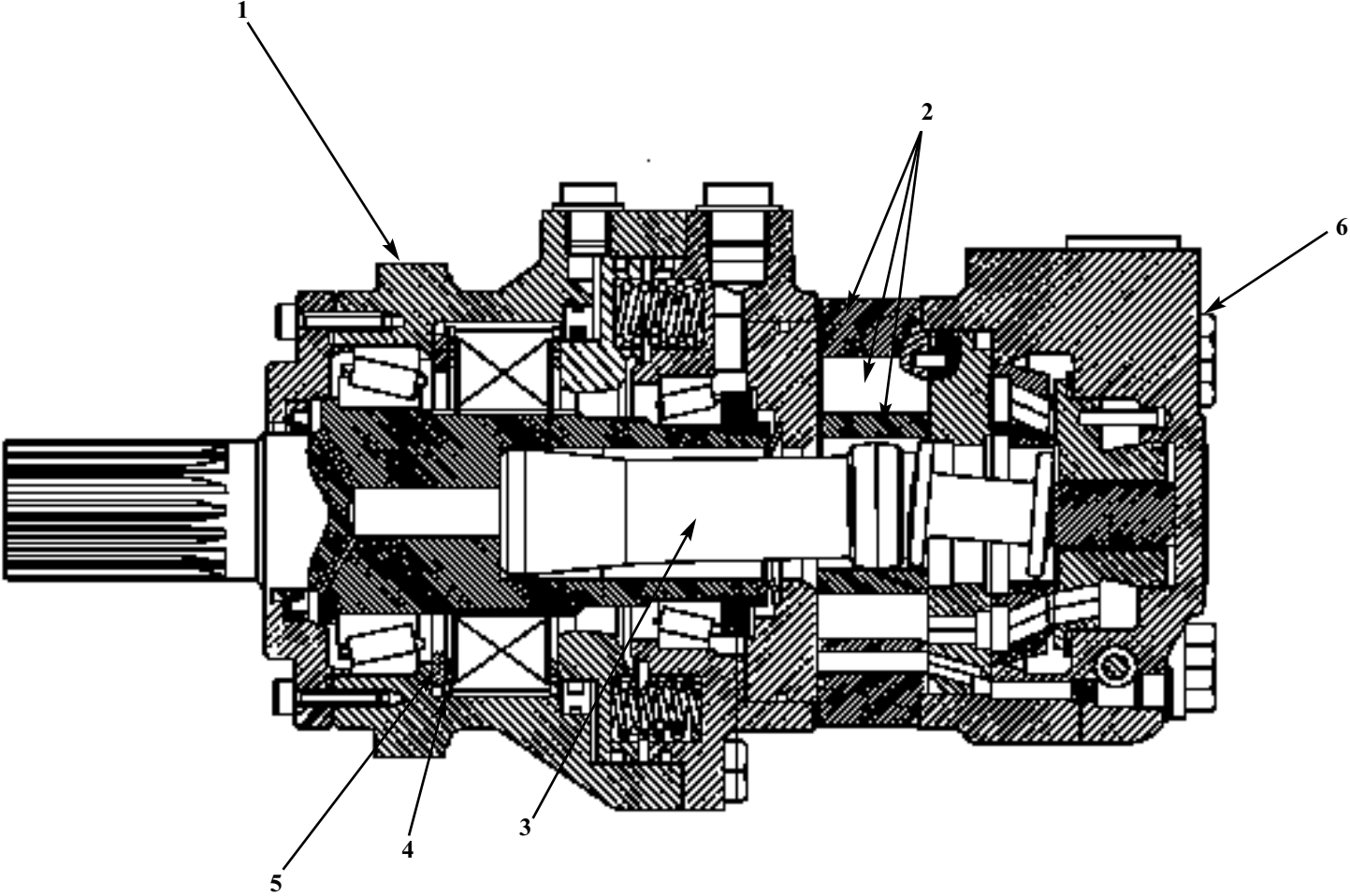
Pos NO.	Part No.	Qty	Description
1	049043SP	1	Tandem Pump Assy
2	043188SP	1	Tee
3	025011SP	1	Elbow
4	962364SP	1	Hose, Hydraulic
5	962112SP	1	Hose, Hydraulic
6	962116SP	1	Hose, Hydraulic
7	962627SP	1	Hose, Hydraulic
8	038389SP	1	Tee Fitting
9	015103SP	1	Elbow
10	048569SP	1	Brake Valve
11	043190SP	1	Connector
12	962628SP	1	Hose, Hydraulic
13	962117SP	1	Hose, Hydraulic
14	043147SP	1	Tee Fitting
15	026641SP	2	Tee Fitting
16	962629SP	1	Hose, Hydraulic
17	962401SP	1	Hose, Hydraulic
18	048437SP	1	Motor. Hyd Assy
19	962110SP	1	Hose, Hydraulic
20	014866SP	1	Elbow, RH Motor Port
21	043064SP	1	Elbow
22	043065SP	2	Hose, Hydraulic (To S/N
23	014867SP	2	Connector (To S/N
23	965938SP	4	Hose, Hydraulic (S/N
24	962400SP	1	Hose, Hydraulic
25	044126SP	1	Elbow
26	014868SP	1	Connector
27	019240SP	1	Connector



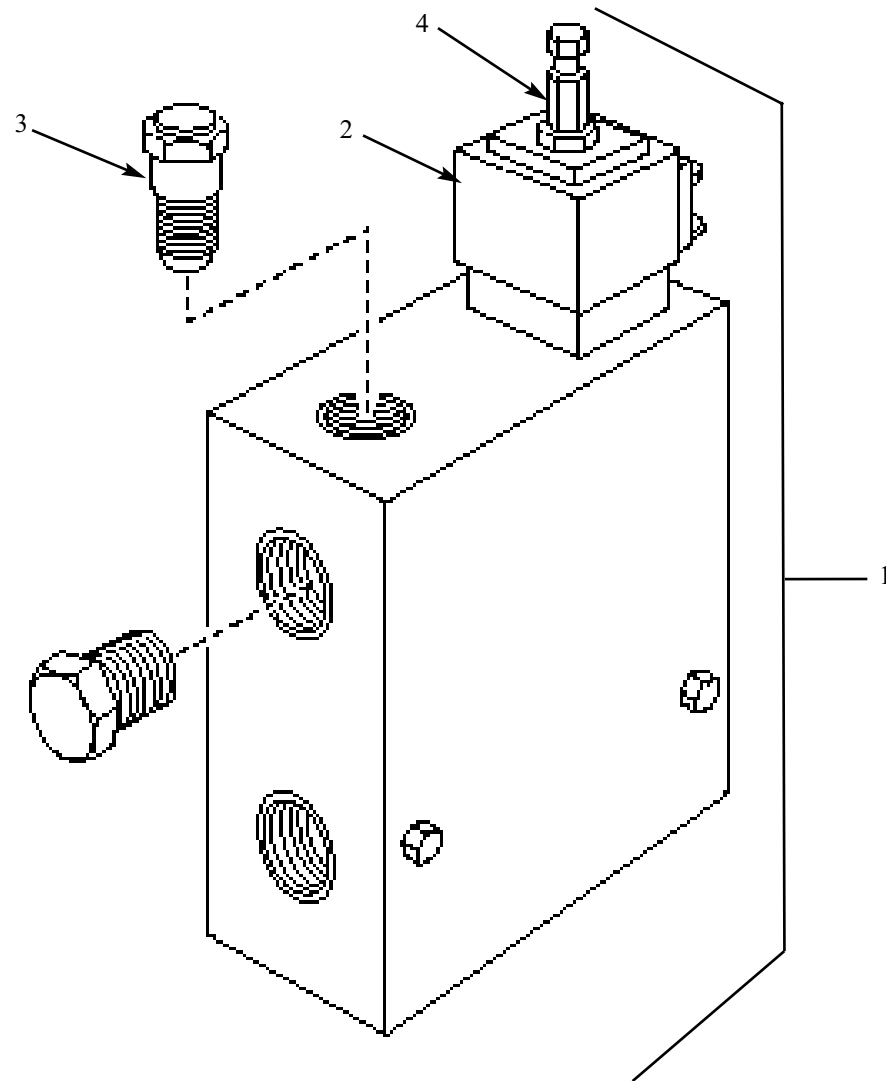
Pos NO.	Part No.	Qty	Description
1	048437SP	1	Torque Motor
2	014867SP	2	Connector
3	014868SP	1	Connector
4	030266SP	1	Connector
5	962116SP	1	Hose, Hydraulic
6	962627SP	1	Hose, Hydraulic
7	043065SP	2	Hose, Hydraulic
8	014866SP	2	Elbow
9	033850SP	1	Elbow
10	049043SP	1	Tandem Pump
11	964691SP	1	Hydraulic Hose



Pos NO.	Part No.	Qty	Description
	049043SP	1	Tandem Pump Ass'y
1	049988SP	1	Gear Pump
2	043658SP	2	O-ring
3	043168SP	2	Seal, Swashplate housing
4	043167SP	4	O- ring, Swashplate cover
5	044136SP	4	Relief Valve (345 Bar Setting) (LE009073 onward) (LN000101 onward)
6	043166SP	1	O-ring, Charge Relief Valve
7	043164SP	1	Spring, Charge Relief Valve
8	043489SP	1	Poppet Valve, Charge Relief Valve
9	043651SP	1	Coupler, Gear pump
10	043169SP	1	Seal, Input Drive
11	043665SP	2	Bolt
12	001642SP	2	Washer, Lock
	049990SP	1	Seal Kit



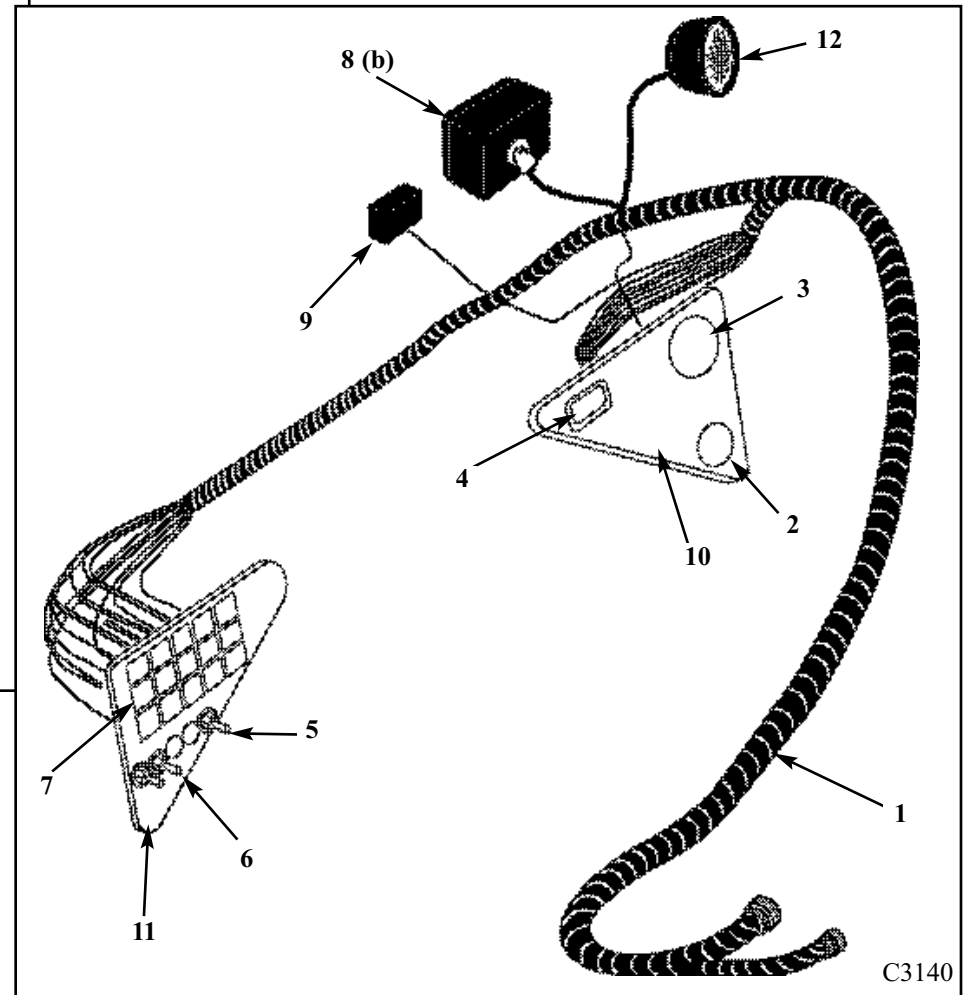
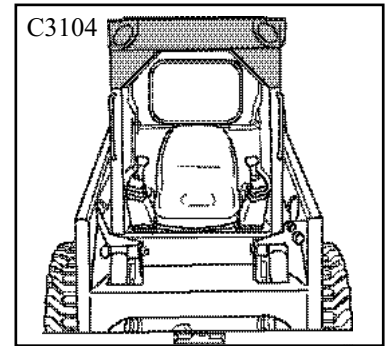
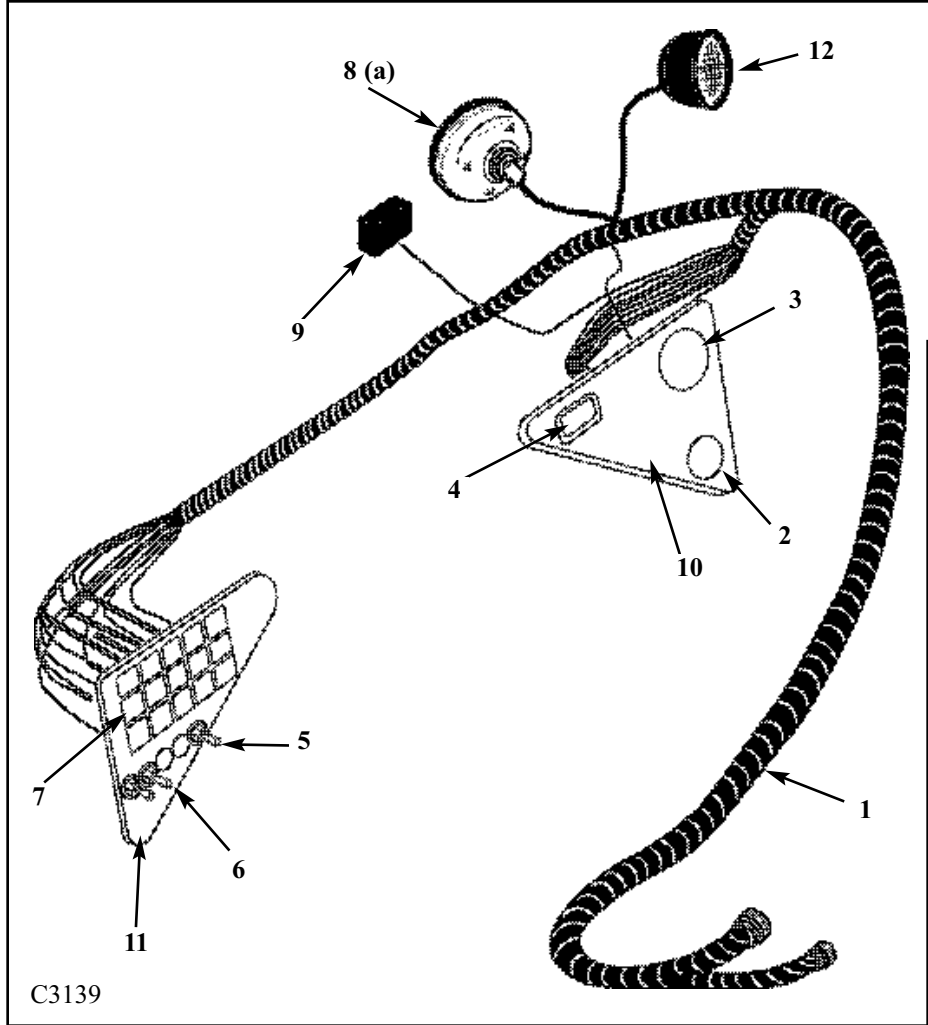
Pos NO.	Part No.	Qty	Description
1	048437SP	1	Torque Motor
2	043341SP	1	Geroler
3	043342SP	1	Drive Shaft
4	043813SP	11	Steel Plate
5	043805SP	12	Friction Plate
6	044166SP	4	Lock Washer
*	043338SP	1	Seal Kit



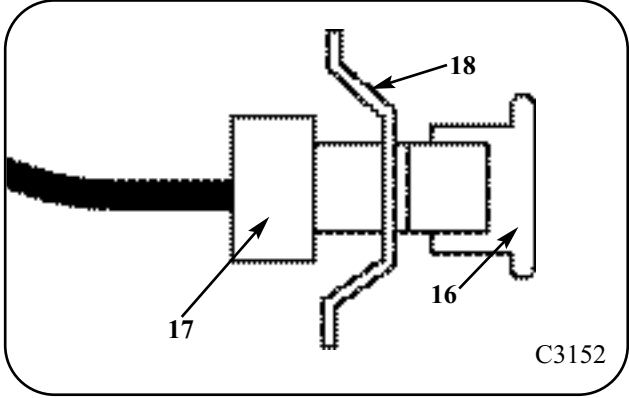
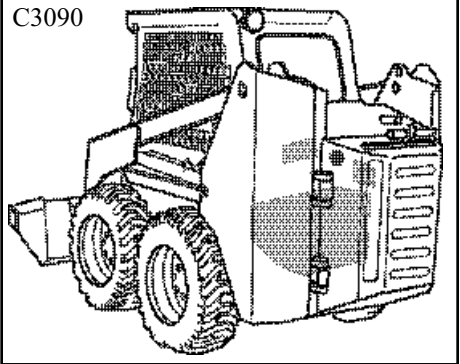
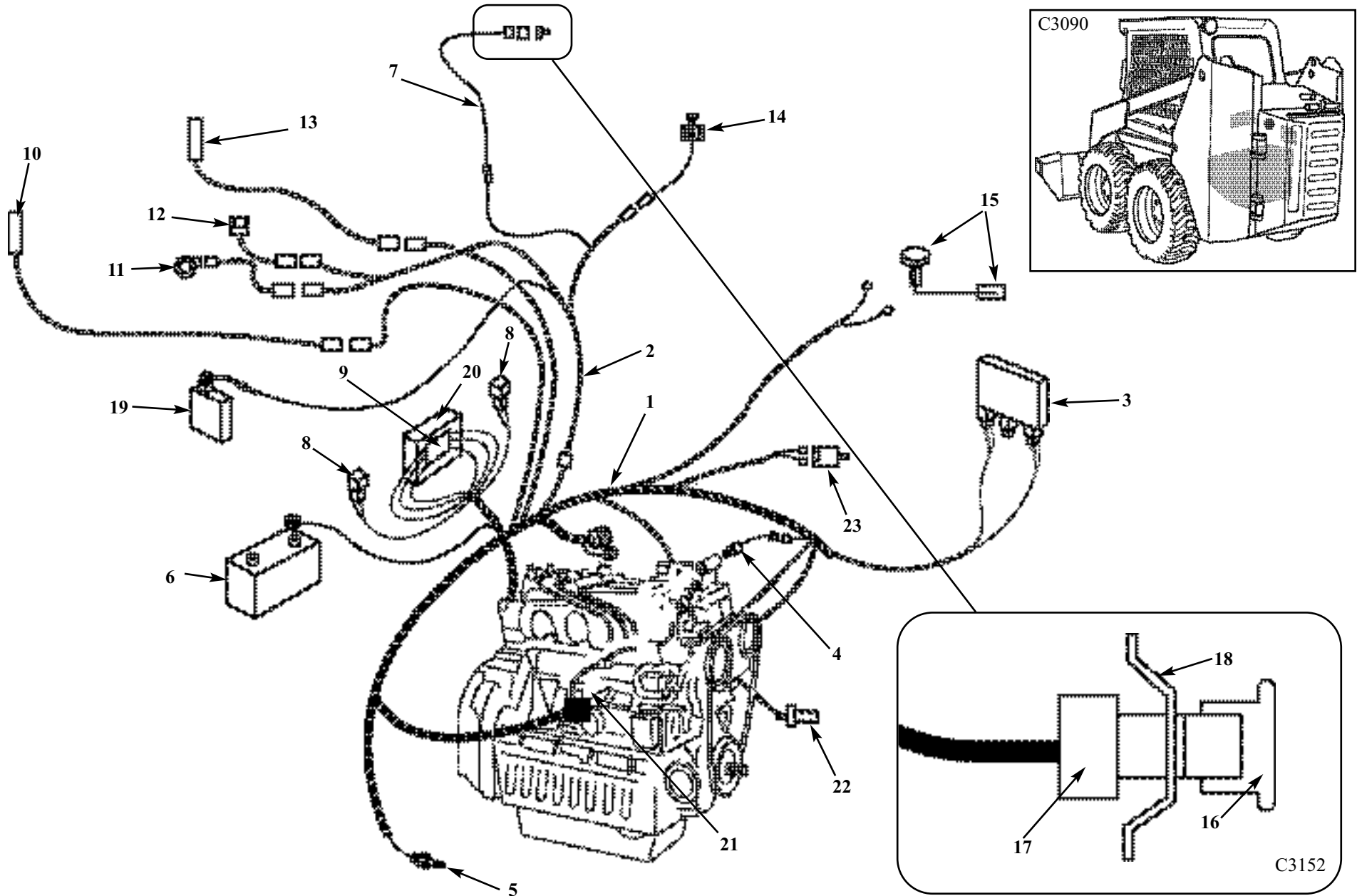
Pos NO.	Part No.	Qty	Description
1	048569SP	1	Brake Valve, 3 way
2	048572SP	1	Coil
3	048570SP	1	Check Valve
4	048571SP	1	Cartridge

ELECTRICAL SYSTEM 6.

Electrical Wiring (ROPS)	6.1
Electrical Wiring (Engine)	6.2



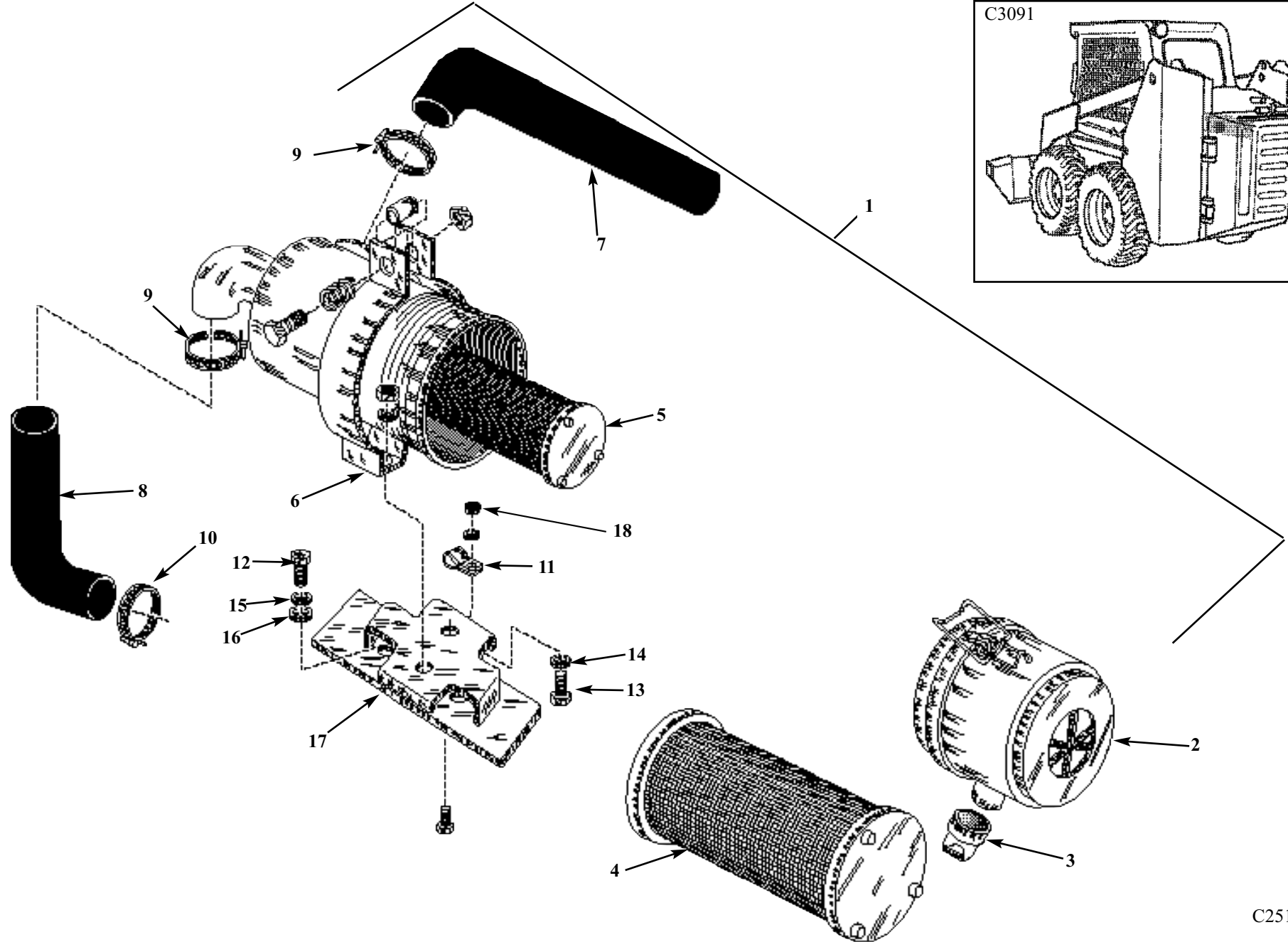
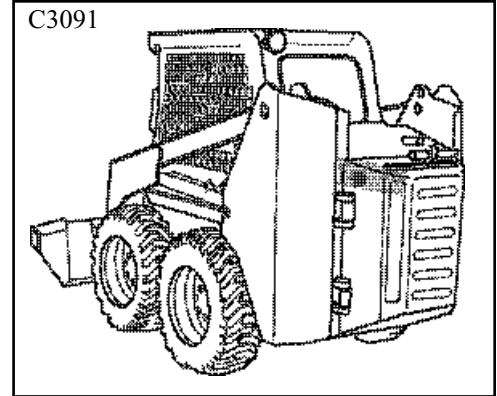
Pos NO.	Part No.	Qty	Description
1	042065SP	1	Harness, ROPS Wire (To S/N LE011289, LN004170)
1	052429SP	1	Harness, ROPS Wire (From S/N LE011290, LN004171 Onward)
2	019605SP	1	Ignition Switch
3	038577SP	1	Fuel Gauge
4	038761SP	1	Hour Meter, Rectangular
5	039123SP	1	Light Switch
6	039124SP	1	Auxiliary Switch (Optional)
7	039972SP	1	All Indicator Lights
8(a)	046836SP	2	Oval Light
8(b)	047468SP	2	Front Work Light
9	040918SP	1	Horn (Optional)
10	038794SP	1	RH Instrument Panel
11	046686SP	1	LH Instrument Panel
12	029971SP	1	Rear Work light
*	041427SP	1	Thomas Key Chain
*	006782SP	4	Plug, Button Hole
*	047336SP	1	Harness, Homolegation (CE Only)



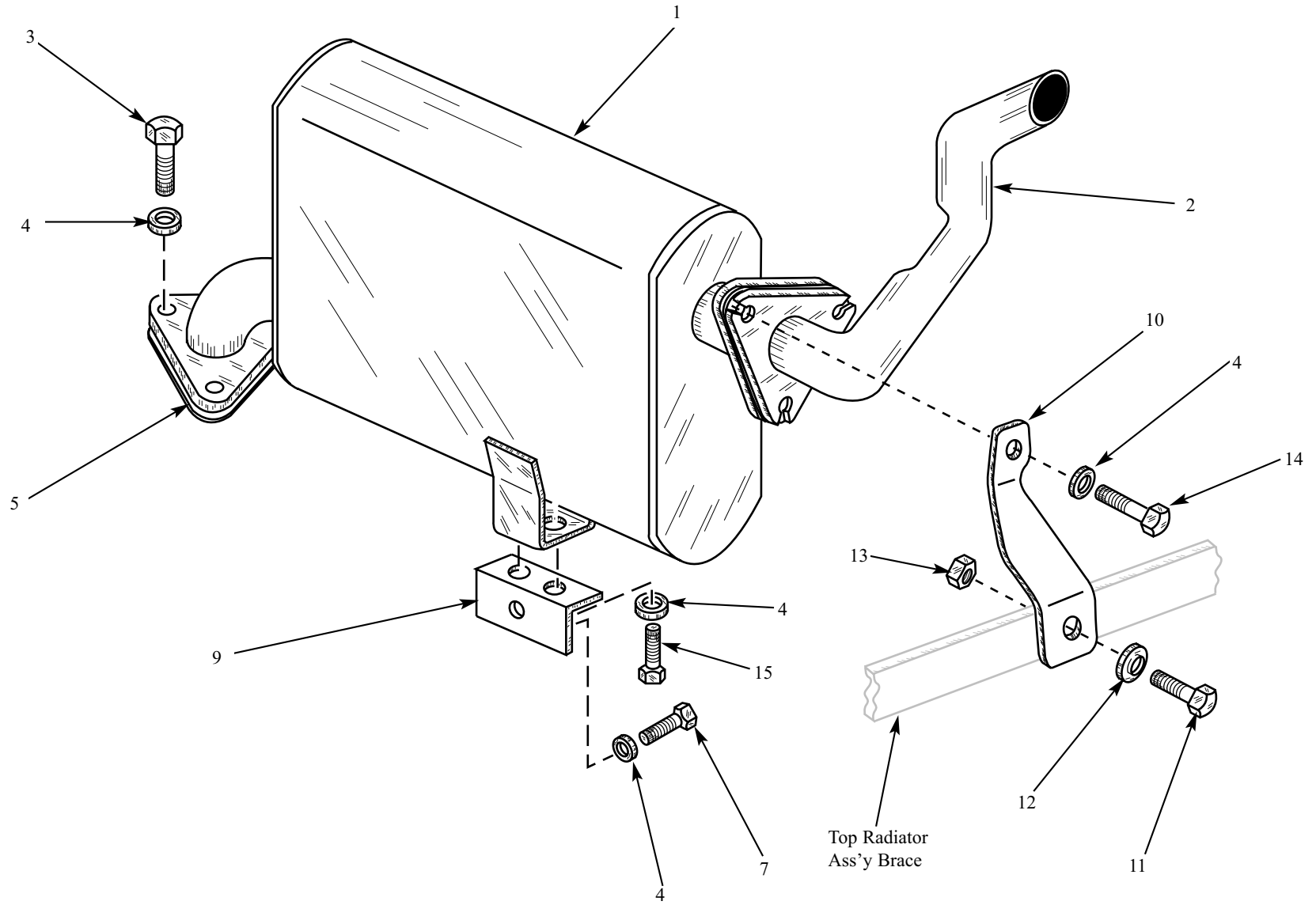
Pos NO.	Part No.	Qty	Description
1	048182SP	1	Engine Wire Harness (To LE011289, LN004170)
1	052431SP	1	Engine Wire Harness (LE 011290, LN004171 Onward)
2	043081SP	1	Mainframe Wire Harness
3	047802SP	1	Valve Assy w/ Locks
3	047803SP	1	Valve Assy w/ Locks Electric Aux.
4	037206SP	1	Sender, Engine Temperature
5	037206SP	1	Sender, Hydraulic Temperature
6	038870SP	1	Battery
*	038871SP	1	Negative (-) Battery Cable
*	038872SP	1	Positive (+) Battery Cable
*	000621SP	3.5 ft.	Corrugated Loom, Positive Battery cable to Starter
7	043082SP	1	Stop Switch Wire Harness
8	039840SP	2	Relay (inside item 20)
9	039540SP	1	Fuse and Circuit Breaker Panel
*	039122SP	4	Fuse, 10 Amp
*	039121SP	2	Fuse, 15 Amp
10	044182SP	1	Handle, Ergonomic w/Rocker
11	038516SP	1	Switch, Seat
12	047422SP	1	2" Non-retractable Seat Belt
12	048275SP	1	2" Retractable Seat Belt
12	048276SP	1	3" Retractable Seat Belt
13	044182SP	1	Switch, Horn (Optional)
14	042950SP	1	Restraint Bar Switch
15	041626SP	1	Sender, Fuel Level
16	044305SP	1	Button, Turn to Release Red
17	042951SP	1	Switch w/ Contact Body
18	042975SP	1	Bracket
19	048569SP	1	Brake Valve, 3 way
20	961693SP	1	Box, Electrical
21	962038SP	1	Engine Stop Solenoid
22	037104SP	1	Lug, External Boosting
23	038855SP	1	Sender, Service Restriction Indicator

ENGINE EQUIPMENT 7.

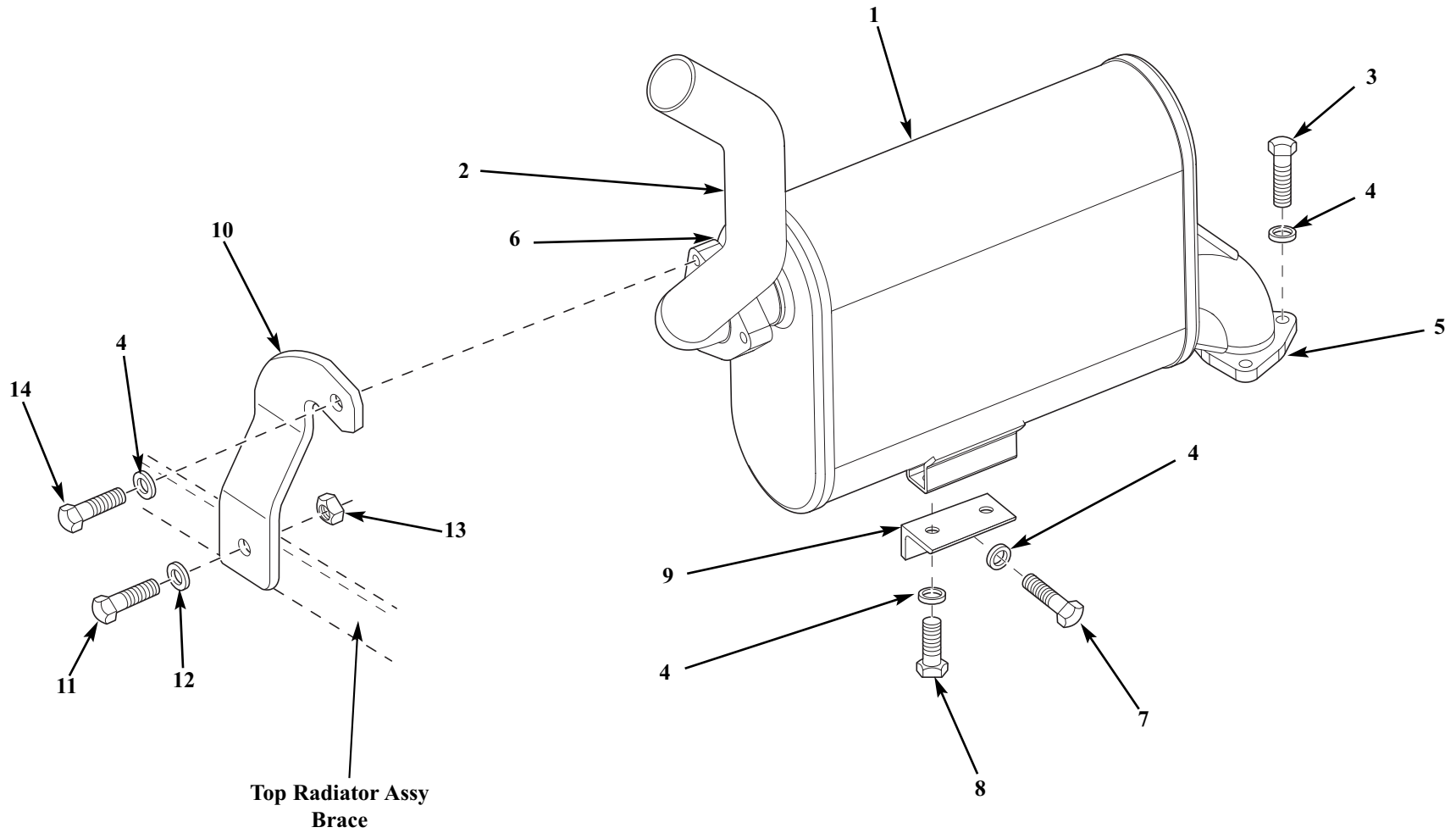
Air Cleaner.....	7.1
Exhaust System (To S/N LN004999, LE011499).....	7.2
Exhaust System (S/N LN005000, LE011500 Onward).....	7.3
Universal Joint	7.4
Radiator and Fan Assy (To S/N LN004999).....	7.5
Radiator and Fan Assy (S/N LN005000 Onward).....	7.6



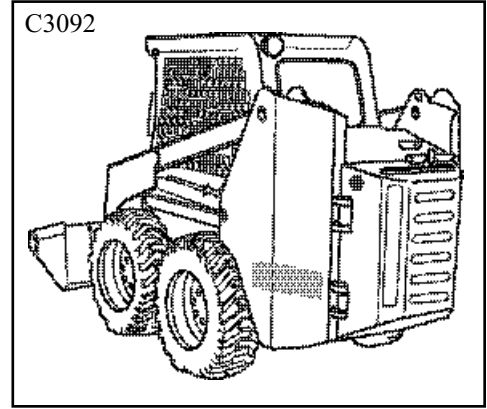
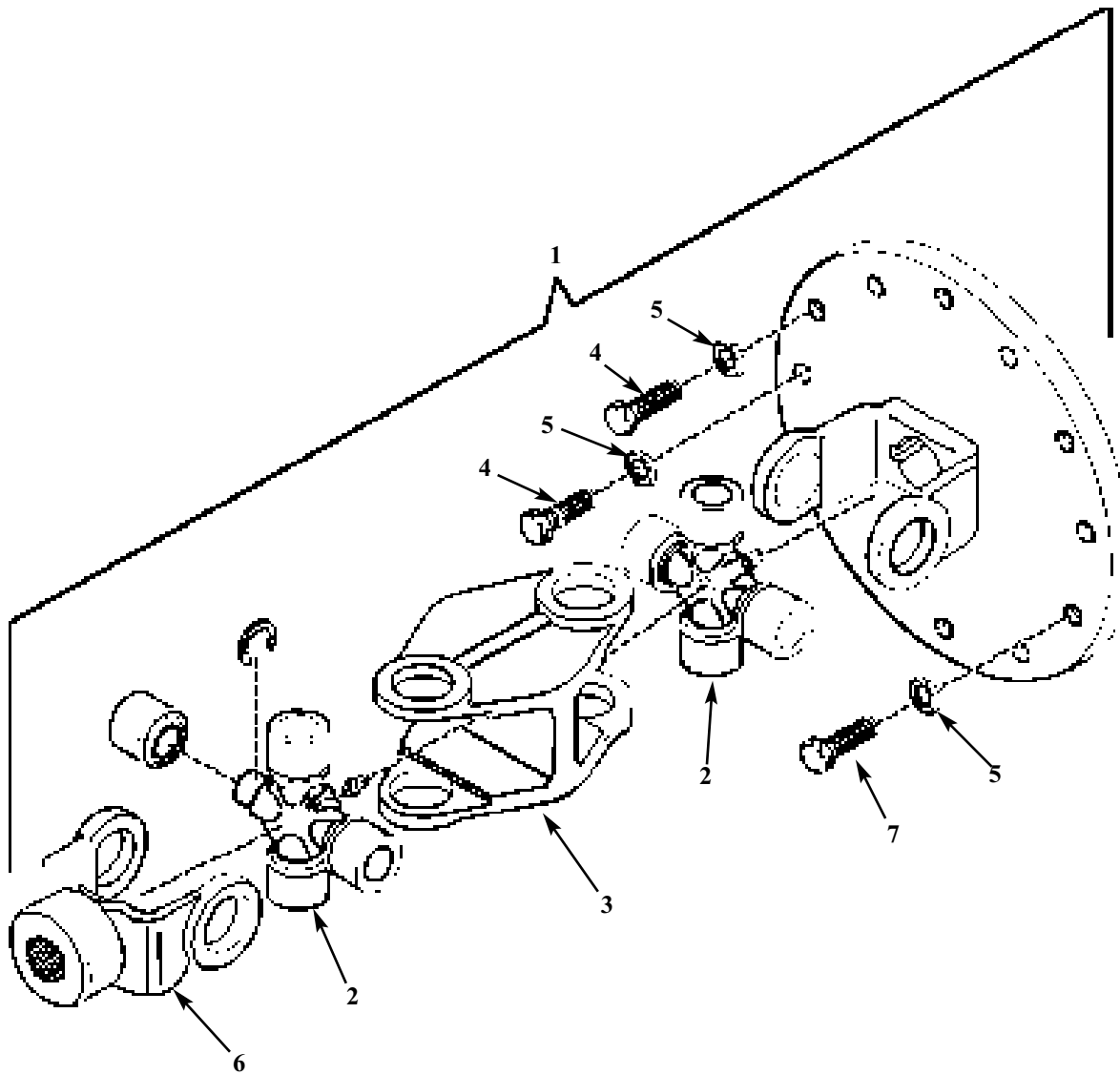
Pos NO.	Part No.	Qty	Description
1	049331SP	1	Air Cleaner Assy
2	042420SP	1	Cover, Air Cleaner Assy
3	042421SP	1	Vacuator Valve
4	042417SP	1	Primary Filter
5	042418SP	1	Safety Filter
7	043389SP	1	Hose, Air
8	043556SP	1	Hose, Air
9	006268SP	2	Clamp
10	012117SP	1	Clamp
11	041024SP	1	Clip, Cable
12	022968SP	2	Bolt
13	002663SP	1	Bolt
14	001651SP	1	Washer
15	021028SP	2	Washer, Lock
16	001643SP	2	Washer, Flat
17	962502SP	1	Mount, Air Cleaner & Rad
18	006645SP	1	Nut
	038855SP	1	Service Indicator
	042406SP	1	Fitting



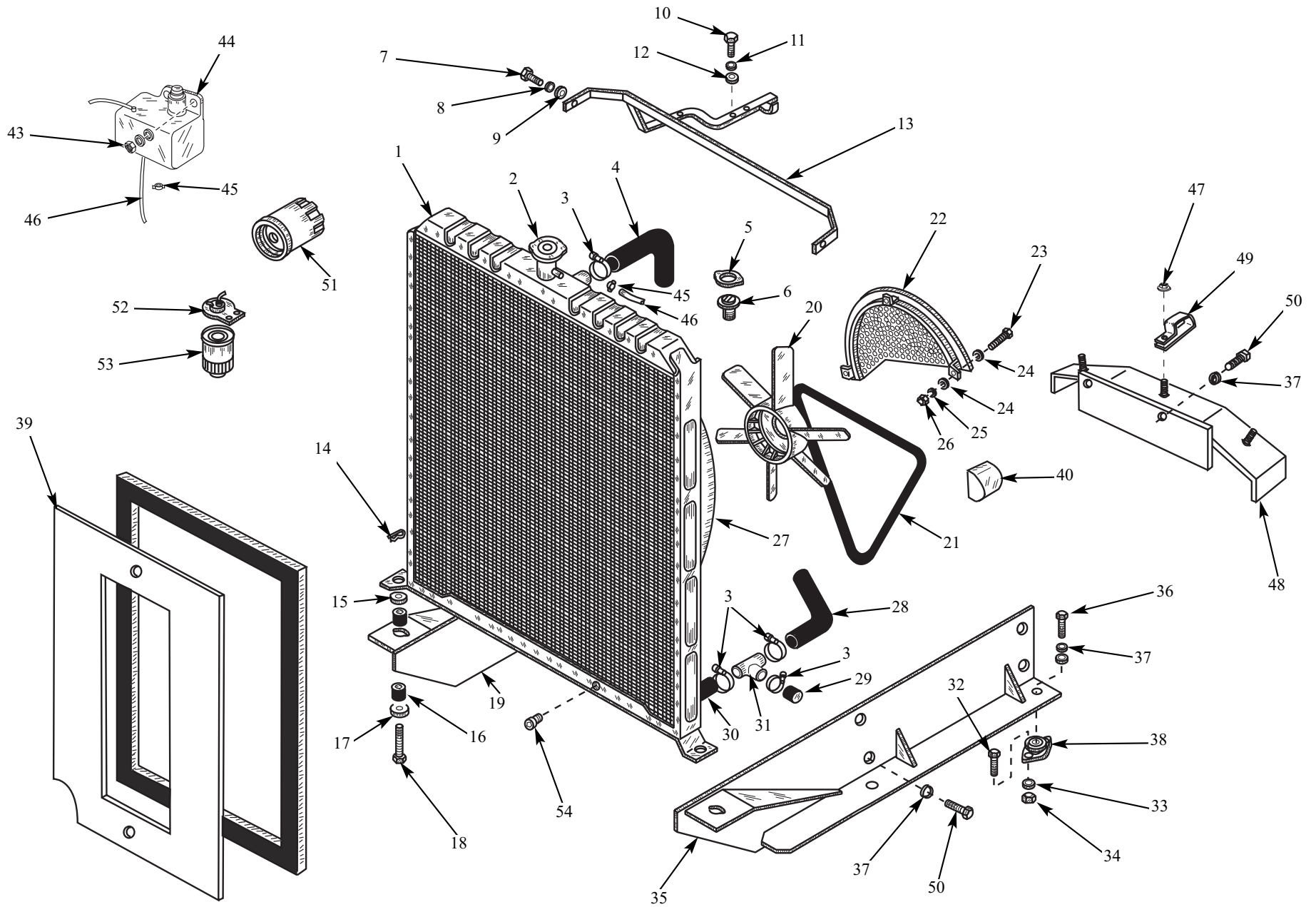
Pos NO.	Part No.	Qty	Description
1	046424SP	1	Muffler Ass'y
2	044736SP	1	Pipe, Exhaust Ass'y
3	021554SP	3	Bolt
4	021029SP	6	Washer, Lock
5	039736SP	1	Gasket
6	043647SP	1	Gasket
7	044720SP	1	Bolt
9	044721SP	1	Mounting Bracket
10	047434SP	1	Plate, Muffler Brace
11	002580SP	1	Bolt, Hex 5/16 x 1 1/4
12	001651SP	2	Washer, Flat 5/16
13	016771SP	1	Nut, Nylok Hex 5/16
14	021559SP	1	Bolt, Hex M8 x 1.25 x 30mm
15	044719SP	2	Bolt, Flange Hex



Pos NO.	Part No.	Qty	Description
1	053035SP	1	Muffler Ass'y
2	044736SP	1	Pipe, Exhaust Ass'y
3	021554SP	3	Bolt
4	021029SP	6	Washer, Lock
5	039736SP	1	Gasket
6	043647SP	1	Gasket
7	044720SP	1	Bolt
8	044719SP	2	Bolt, Flange Hex
9	044721SP	1	Mounting Bracket
10	052783SP	1	Plate, Muffler Brace
11	002580SP	1	Bolt, Hex 5/16" x 1 1/4"
12	001651SP	2	Washer, Flat 5/16"
13	016771SP	1	Nut, Nylok Hex 5/16"
14	021559SP	2	Bolt, Flange Hex

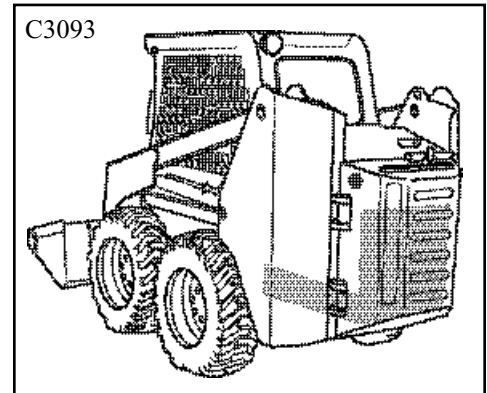
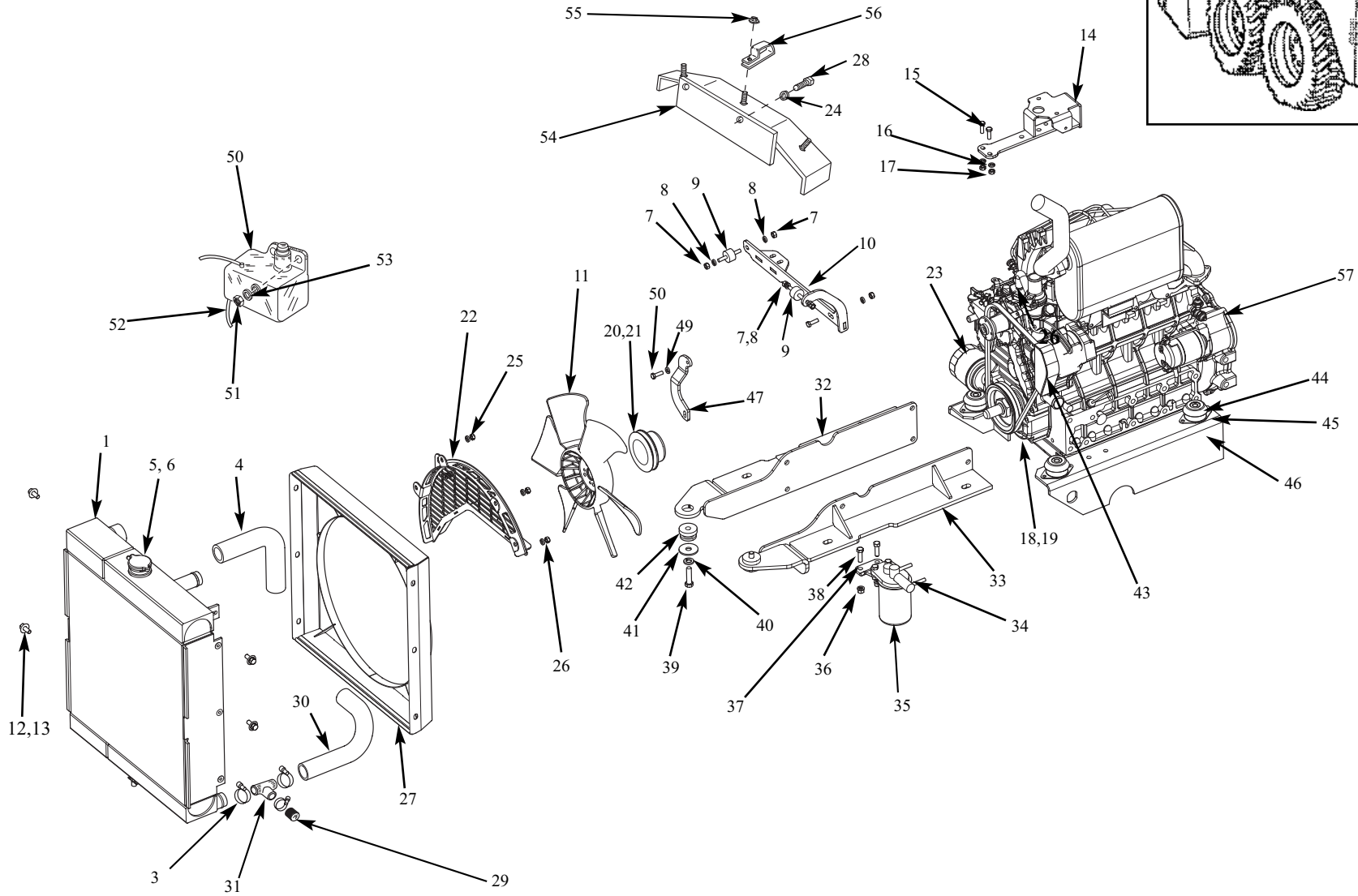


Pos NO.	Part No.	Qty	Description
1	954896SP	1	U-Joint Complete
2	015052SP	2	Journal and Bearing Kit
3	015140SP	1	Double Pivot Yoke
4	044315SP	4	Bolt, 8 x 25
5	021029SP	6	Washer, Spring
6	015141SP	1	End Yoke, Splined
7	044316SP	2	Bolt, 8 x 30



Pos NO.	Part No.	Qty	Description				
1	036021SP	1	Radiator Ass'y	31	035772SP	1	Tee, Hose
2	019572SP	1	Radiator Cap	32	001190SP	8	Bolt
3	018478SP	6	Clamp, Top Radiator Hose	33	001650SP	8	Washer, Flat
4	022204SP	1	Top Radiator Hose	34	016771SP	8	Nut
5	019586SP	1	Gasket, Thermostat	35	961839SP	1	Mount, RH Engine Ass'y
6	033149SP	1	Thermostat Ass'y	36	044317SP	4	Bolt
7	044557SP	2	Bolt	37	044321SP	18	Washer, Lock
8	044320SP	2	Washer, Lock	38	038558SP	4	Isolator, Engine
9	001650SP	2	Washer, Flat	39	046795SP	1	Baffle
10	022968SP	2	Bolt	*	000580SP	7	Foam
11	021028SP	2	Washer, Lock	*	026665SP	7	Foam
12	001643SP	2	Washer, Flat	40	042940SP	1	Cover, Belt, Alternator
13	962502SP	1	Brace, Top Radiator Ass'y	43	043558SP	2	Nut, Flange
14	019573SP	2	Pin	44	042737SP	1	Overflow Tank
15	018469SP	4	Washer, Cushion	45	034919SP	2	Clamp
16	018468SP	2	Cushion	46	000822SP	1	Tubing
17	018467SP	2	Cushion	47	016771SP	3	Nut
18	019574SP	2	Bolt	48	962371SP	1	Flywheel Shield
19	961840SP	1	Mount, LH Engine Ass'y	49	041024SP	3	Cable Clamp
20	039730SP	1	Fan, Pusher	50	021557SP	10	Bolt
20	023107SP	1	Fan, Puller	51	033023SP	1	Filter, Oil
21	035568SP	1	V-Belt	52	042560SP	1	Filter Ass'y
21	033385SP	1	V-Belt (CE Option)	53	042561SP	1	Fuel Filter
*	033146SP	1	Pulley (CE Option)	54	035847SP	1	Plug, Socket Pipe
22	039728SP	1	Fan Guard				
23	002663SP	2	Bolt				
24	001650SP	4	Washer, Flat				
25	002279SP	2	Washer, Lock				
26	001350SP	2	Nut				
27	035765SP	1	Fan Shroud				
28	035773SP	1	Hose, Bottom				
29	019538SP	1	Cap				
30	035774SP	1	Hose				

Radiator and Fan Assembly (From S/N LN005000, LE012000 Onward)



Pos NO.	Part No.	Qty	Description				
1	052419SP	1	Radiator/Cooler	41	052719SP	2	Plate, Washer
2	019572SP	1	Radiator Cap	42	052718SP	2	Isolator
3	015521SP	6	Clamp	43	042940SP	1	Cover, Belt, Alternator
4	022204SP	1	Top Radiator Hose	44	044317SP	4	Bolt
5	019586SP	1	Gasket, Thermostat	45	038558SP	4	Isolater
6	033149SP	1	Thermostat Ass'y	46	044321SP	4	Washer, Lock
7	023250SP	4	Nut, Hex 8mm	47	047434SP	1	Plate, Muffler Brace
8	044319SP	4	Washer, Lock 8mm	48	021559SP	1	Bolt, Hex M8 x 1.25 x 30mm
9	050232SP	2	Cushion, Rubber	49	021029SP	6	Washer, Lock
10	965935SP	1	Radiator Brace	50	042737SP	1	Overflow Tank
11	049722SP	1	Fan, Pusher	51	043558SP	2	Nut, Flange
12	001196SP	6	Bolt, Hex 3/8" x 1" UNC	52	000822SP	1	Tubing
13	001643SP	6	Washer, Flat 3/8" PL.	53	034919SP	2	Clamp
14	965927SP	1	Air Cleaner Mount	54	962371SP	1	Flywheel Shield
15	001190SP	2	Bolt, Hex 5/16" x 1" UNC	55	016771SP	3	Nut
16	001870SP	2	Washer, Lock 5/16" PL.	56	041024SP	1	Cable Clamp
17	001191SP	2	Nut, Hex 5/16" UNC PL.	57	053152SP	1	Engine (137)
18	033385SP	1	V-Belt	57	053151SP	1	Engine (157)
19	053049SP	1	V-Belt (CE)				
20	033146SP	1	Pulley				
21	052817SP	1	Pulley (CE)				
22	965911SP	1	Fan Guard				
23	033023SP	1	Filter, Oil				
24	044321SP	18	Washer, Lock				
25	001870SP	4	Washer, Lock 5/16"				
26	001191SP	4	Nut, Hex 5/16" UNC				
27	966208SP	1	Fan Shroud				
28	021557SP	10	Bolt				
29	019538SP	1	Cap				
30	035774SP	1	Hose				
31	035772SP	1	Tee, Hose				
32	965874SP	1	Mount, LH Engine Ass'y				
33	965873SP	1	Mount, RH Engine Ass'y				
34	053061SP	1	Fuel Filter Mount				
35	042561SP	1	Fuel Filter				
36	001194SP	4	Nut, Hex 3/8" UNC				
37	001642SP	4	Washer, Lock 3/8" PL.				
38	001387SP	4	Bolt, Hex 3/8" x 1 1/4"				
39	042186SP	2	Bolt, Hex 12 x 45 mm				
40	001648SP	2	Washer, Lock 9/16"				

8. OPTIONAL EQUIPMENT

The following kits are **OPTIONAL** and can be added as extra equipment.
Some of the options listed below are standard on certain machines.

Cab Enclosure (<i>Not available on CE loaders</i>)	8.1
Side Windows - Painted	8.2
Cab Heater.....	8.3
Cab Door	8.4
Horn.....	8.5
Self Level Valve.....	(Refer to Sections 4.3 & 4.5)
Interior Light and Exterior Trouble	8.6
Light Kit (<i>Only available as a factory installed option</i>)	8.7
Driving Lamp Kit (<i>Only available as a factory installed option</i>)	8.8
Stop Switch (<i>Only available as a factory installed option</i>)	8.9
Wheel Equipment	8.10
Block Heater	8.11
Backup Alarm	8.12
3" Seat Belt	8.13
Auto Engine Shutdown.....	8.14
Axle Seal Protector	8.15
Purifier.....	8.16
Hydraulic Oil Heater.....	8.17
Precleaner	8.18
Lifting Lug (ROPS)	8.19
Hi-Flow (153, To S/N LN004999)	8.20
Hi-Flow (153, S/N LN005000 Onward)	8.21

Cab Enclosure Kit**8.1**

Part No.	Qty	Description
963803SP	1	Kit, Cab Enclosure:
963392 SP	1	Kit, Cab Heater
963755 SP	1	Kit, Cab Door
963880 SP	1	Kit, Side Windows Painted

Side Windows (Painted) Kit**8.2**

Part No.	Qty	Description
963880SP	1	Kit, Side Windows Painted:
044345 SP	30	Screw, Mach 1/4 x 3/4 Pan Head
044237 SP	30	Nut, 1/4 Flange
015931 SP	22 ft.	Weatherstrip, 5/16 x 3/4 Shur Stick
047273 SP	1	Window, Glass Sliding LH Side Painted
047274 SP	1	Window, Glass Sliding RH Side Painted
039868 SP	8	Washer, Nylon 1/4 x 7/8
039869 SP	2	Knob, Fluted Black w/ 1/4" 20 insert
039907 SP	2	Insulator, Nylon 1/4"
040908 SP	2	Bolt, Hex 1/4 x 1 1/4
040909 SP	2	Nut, Hex 1/4

Pos NO.	Part No.	Qty	Description
	963755SP 1		Kit, Cab Door:
1.	963753SP	1	Door Frame
2.	015750SP	7.29'	Weatherstripping
3.	048601SP	8.86'	Molding, Trim Seal 1/8"
4.	953780SP	1	Handle, Cab Locking
5.	015885SP	2	Stove Bolt w/ Nut
6.	032629SP	1	Latch, Cab Door LH
7.	005170SP	12	Bolt, Hex Head
8.	037597SP	1	Blade, Wiper 16"
9.	037275SP	1	Motor, Wiper Single Speed
10.	037596SP	1	Arm, Wiper 10 3/4" 15"
11.	002663SP	1	Bolt, Hex
12.	047050SP	1	Spring, Gas 24 lb. 15 1/4" - 22"
13.	043005SP	2	Stud, Ball 10mm
14.	963745SP	2	Cab Door Hinge
15.	002279SP	5	Lock Washer
16.	001650SP	9	Flat Washer
17.	037164SP	1	Glass, Cab Door
18.	032600SP	1	Plate, Latch Block
19.	006645SP	4	Nut

Cab Heater Kit

8.4

Part No.	Qty	Description
963392SP	1	Kit, Cab Heater:
037167 SP	1	Heater, Cab
037607 SP	2	Elb, 30D 8 O-Ring x 10 5/8 Hoseheater Fitting
031166 SP	1	Valve, Heater
031167 SP	1	Cable, Heater Valve Control
037601 SP	1	Switch, Heaters with Resistors
037606 SP	1	Knob, Control
016019 SP	6	Clamp, Hose #10
032672 SP	1	Spacer, Water Flange, Kubota
019586 SP	2	Gasket, Thermostat Cover
032682 SP	2	Bolt, Hex 8 x 60mm
031156 SP	1	Coupling
032671 SP	1	El, 90D 6 3/8 x 1/4
000073 SP	9.5 ft.	Hose, 5/8 2 or 3 Wall
017493 SP	1	Clamp, Standard Tube
029972 SP	1	Decal, Heater Control
043066 SP	3	Terminal, Slide
037633 SP	2	O-Ring
039122 SP	1	Fuse, Automotive 10 Amp (5 per pack)
000765 SP	7.5 ft.	Loom, Corrugated
003625 SP	6.5 ft.	Wire, #14 GA Yellow Type SXL
001651 SP	1	Washer, Flat 5/16 PL
017386 SP	2	Grommet, 1" IDX 3/16 GRX 1-3/4 ODX 7/16 Thickness
026715 SP	3	Bolt, Hex 6 x 65mm
040652 SP	3	Tube, Spacer Heater
002279 SP	3	Washer, Lock 1/4 PL
005170 SP	1	Bolt, Hex 1/4 x 1 UNC GR5 PL
001650 SP	5	Washer, Flat 1/4 PL
006645 SP	1	Nut, Nylok 1/4 UNC PL
038541 SP	1	Grommet, 5/16" IDX 1/8" Groove x 9/16" Groove Diax

Horn Kit**8.5**

Part No.	Qty	Description
963874SP	1	Kit, Horn:
040918 SP	1	Alarm, Fast Sounding
044182 SP	1	Handle, Ergonomic w/Rocker & 2 PB Switches
006081 SP	2	Bolt, Hex 5/16 x3/4 UNC GR5 PL
001651 SP	2	Washer, Flat 5/16 PL
001870 SP	2	Washer, Lock 5/16 PL
001191 SP	2	Nut, Hex 5/16 UNC PL
039880 SP	1	Wire, #18 GA LT Green Type sxl
039206 SP	4	Wire, #18 GA WHT/BRN Type sxl
039899 SP	2	Terminal, Ring #10 Stud 22-18 GA Wire
039901 SP	1	Terminal, Ring 5/16" Stud 22-18
039127 SP	1	Terminal, Pin .156 Male
039110 SP	1	Tower, 2-way Weatherpack
039109 SP	2	Sleeve, Cable 18-20 AWG Weatherpack
039009 SP	2	Seal, Cable 14-18 AWG Weatherpack
008615 SP	1	Tube, Heat Shink .187
003273 SP	8	Tie, Cable 11 1/2x3/16 UV BLK 50 LB ST
000765 SP	1	Loom, Corrugated .250 ID Black
039122 SP	1	Fuse, Automotive 10 Amp (5 per pack)
044513 SP	1	Bolt, Erg. Handle

Interior Light & Exterior Trouble Kit**8.6**

Part No.	Qty	Description
963466SP	1	Kit, Int. Light & Ext. Trouble:
041317SP	1	Light, Dome/Emergency
039880SP	6	Wire, #18 GA LT Green TYPE SXL
041023SP	6	Wire, #18 GA RED TYPE SXL
017940SP	1	Grommet, 1/4 IDX 1/8 GRX 5/8 OD
000765SP	6	Loom, Corrugated .250 ID Black
039122SP	1	Fuse, Automotive 10 Amp (5 per pack)
041705SP	1	Connector, Male 2-way Metri-pak
041706SP	2	Terminal, Female Metri-Pak for 41705
039901SP	1	Terminal, Ring 5/16" Stud 22-18
041018SP	1	Terminal, Slide .25 F #18-22GA Fully Insulated
037472SP	3	Screw, Self Tapping, 10-16 x 3/4
048242SP	3	Screw, Self Tapping

Light Kit**8.7**

Part No.	Qty	Description	Part No.	Qty	Description
963888SP	1	Kit, Lights	008615 SP	0.167 ft.	Tube, Heat Shrink .187
047332 SP	1	Light, Kit LH	007045 SP	1	Wire, End Plug
047333 SP	1	Light, Kit RH	006468 SP	2	Washer, Flat 3/16 PL
046668 SP	1	Beacon, Rotating	002811 SP	2	Washer, Lock 3/16 PL
000765 SP	1 ft.	Loom, Corrugated .250 ID Black	006467 SP	2	Nut, Hex 3/16 UNC PL
046669 SP	2	Terminal, Connector .250 Slide	047419 SP	1	Mirror, External CE
046670 SP	1	Light, License w/Harness	027013 SP	2	Washer, Lock 1/8 PL
046689 SP	2	Reflector, Red Reflex	963890 SP	1	Homologation Harness, Kit, 153
046690 SP	2	Reflector, Clear Reflex			
039123 SP	3	Switch, Toggle			
038752 SP	1	Switch, Backup Alarm			
043328 SP	1	Sheet, Backup Alarm Mount			
001191 SP	2	Nut, Hex 5/16 UNC PL			
001870 SP	2	Washer, Lock 5/16 PL			
001651 SP	2	Washer, Flat 5/16 PL			
039122 SP	1	Fuse, Automotive 10 Amp (5 per pack)			
043330 SP	1	Sheet, Backup Alarm Spacer			
017204 SP	1	Decal, Slow Moving Vehicle One Piece Type			
043330 SP	2	Sheet, Backup Alarm Spacer			
015885 SP	4	Bolt, Stove 3/16 x 3/4 UNC GR2 PL			
006393 SP	2	Nut, Hex 7/16 UNC PL			
046835 SP	1	Sheet, SMV			
021907 SP	4	Screw, Self Tapping 5/16-1/8 x 5/8 Type 1, Hex			
051399 SP	2	Sheet, Light Mount			
019029 SP	4	Bolt, Hex M8 x 1.25 x 25mm PL			
021029 SP	4	Washer, Lock 8mm PL			
001643 SP	4	Washer, Flat 3/8 PL			
046899 SP	2	Sheet, Cover w/Thomas			
031744 SP	4	Screw, Hex Head, Tapping 1/4-20 x 5/8 L			
043759 SP	1	Tower, 4-way Weatherpack 4X1			
039109 SP	4	Sleeve, Cable 18-20 AWG Weatherpack			
039009 SP	4	Seal, Cable 14-18 AWG Weatherpack			
044513 SP	2	Handle, Eronomic w/Rocker & 2 PB Switches			
021259 SP	2	Pin, Terminal (WAYTEK)			

Driving Lamp Kit**8.8**

Part No.	Qty	Description
963915SP	1	Kit, Driving Lamp:
047418 SP	2	Lamp, Driving CE Approved

Stop Switch Kit**8.9**

Part No.	Qty	Description
963879SP	1	Kit, Stop Switch:
042951 SP	1	Switch, Contact Body Assy
044305 SP	1	Button, Turn to Release Red
042975 SP	1	Sheet, Stop Button Support
043145 SP	1	Decal, Park Brake

Wheel Equipment**8.10**

Part No.	Qty	Description
963429SP	1	Kit, Tire 31 x 5 x 7 Solid:
046430 SP	4	31 x 5 x 7 Solid
963558SP	1	Kit, Tire 31 x 5 x 7 Solid Field:
046430 SP	4	31 x 5 x 7 Solid
963430SP	1	Kit, Tire 10 x 16.5 HD 2000:
044016 SP	2	Tire & Wheel Assy, 10.00x16.5 LH HD 2000 6 Bolt
044017 SP	2	Tire & Wheel Assy, 10.00x16.5 RH 6 Bolt HD 2000
963561SP	1	Kit, Tire 10 x 16.5 HD 2000:
044016 SP	2	Tire & Wheel Assy, 10.00x16.5 LH HD 2000 6 Bolt
044017 SP	2	Tire & Wheel Assy, 10.00x16.5 RH 6 Bolt HD 2000
963805SP	1	Kit, Tire 31 x 15.5 Outrigger Factory:
047085 SP	2	Tire & Wheel Assy 31 x 15.5 x 15, RH Outrigger 6 Bolt
047086 SP	2	Tire & Wheel Assy 31 x 15.5 x 15, LH Outrigger 6 Bolt
963806SP	1	Kit, Tire 31 x 15.5 Outrigger Field:
047085 SP	2	Tire & Wheel Assy 31 x 15.5 x 15, RH Outrigger 6 Bolt
047086 SP	2	Tire & Wheel Assy 31 x 15.5 x 15, LH Outrigger 6 Bolt

Block Heater Kit**8.11**

Part No.	Qty	Description
963403SP	1	Kit, Block Heater:
036789SP	1	Heater, Engine Block, Kubota

Backup Alarm Kit**8.12**

Part No.	Qty	Description
963405SP	1	Kit, Backup Alarm:
038752 SP	2	Switch, Backup Alarm
042187 SP	1	Alarm, Back-up
043327 SP	1	Harness, Backup Alarm
001191 SP	6	Nut, Hex 5/16 UNC PL
001651 SP	6	Washer, Flat 5/16 PL
001190 SP	2	Bolt, Hex 5/16 x 1 UNC GR5 PL
001870 SP	6	Washer, Lock 5/16 PL
039122 SP	1	Fuse, Automotive 10 Amp (5 per pack)
043330 SP	2	Sheet, Backup Alarm Spacer
004398 SP	2	Bolt, Hex 7/16 x 6 UNC GR5 PL
006393 SP	4	Nut, Hex 7/16 UNC PL
003237 SP	2	Bolt, Switch Activator
044323 SP	2	Nut, Jam 1/4 UNC 18/8 ST
043328 SP	2	Sheet, Backup Alarm Mount
043337 SP	2	Sheet, Backup Alarm Mount
001622 SP	4	Bolt, Stove 3/16 x 1 UNC GR2 PL RD HD
006468 SP	4	Washer, Flat 3/16 PL
002811 SP	4	Washer, Lock 3/16 PL
006467 SP	4	Nut, Hex 3/16 UNC PL
027013 SP	4	Washer, Lock 1/8 PL

3" Seat Belt Kit**8.13**

Part No.	Qty	Description
963406SP	1	Kit, Seat Belt 3":
048276 SP	1	Belt, Safety 3" w/Safety Wiring

Auto Engine Shutdown Kit**8.14**

Part No.	Qty	Description
965326SP	1	Kit, Auto Engine Shutdown:
039840 SP	1	Relay, 12V 40A SPDT Form C c/w Bracket
043714 SP	1	Switch, Pressure Electrical Cert. of Compliance
029241 SP	1	Siren, Mini
039899 SP	1	Terminal, Ring #10 Stud 22-18 GA Wire
049488 SP	1	Harness, Wire Auto Shutdown ENG
044273 SP	1	Harness, Wire Auto Shutdown ROPS
006467 SP	1	Nut, Hex 3/16" UNC
002811 SP	1	Washer, Lock 3/16"
015885 SP	1	Bolt, Stove
049647 SP	1	Tee, Str.
037210 SP	1	Bushing, 4 1/4" NPT M x 1 1/8" NPT F
049648 SP	1	Elbow, 90 deg. Str.

Axle Seal Protector Kit**8.15**

Part No.	Qty	Description
963411SP	1	Kit, Axle Seal Protector:
044204 SP	4	Tube, Axle Seal Sleeve
044240 SP	8	Screw, Cap 10-32 UNF x 3/4" Hex Socket Head
002811 SP	8	Washer, Lock 3/16 PL

Purifier Kit**8.16**

Part No.	Qty	Description
963436SP	1	Kit, Purifier:
043975 SP	1	Purifier, Catalytic
043647 SP	0	Gasket, Exhaust (for tailpipe comes with engine)
962306 SP	1	Pipe, Exhaust Assy

Hydraulic Oil Heater Kit**8.17**

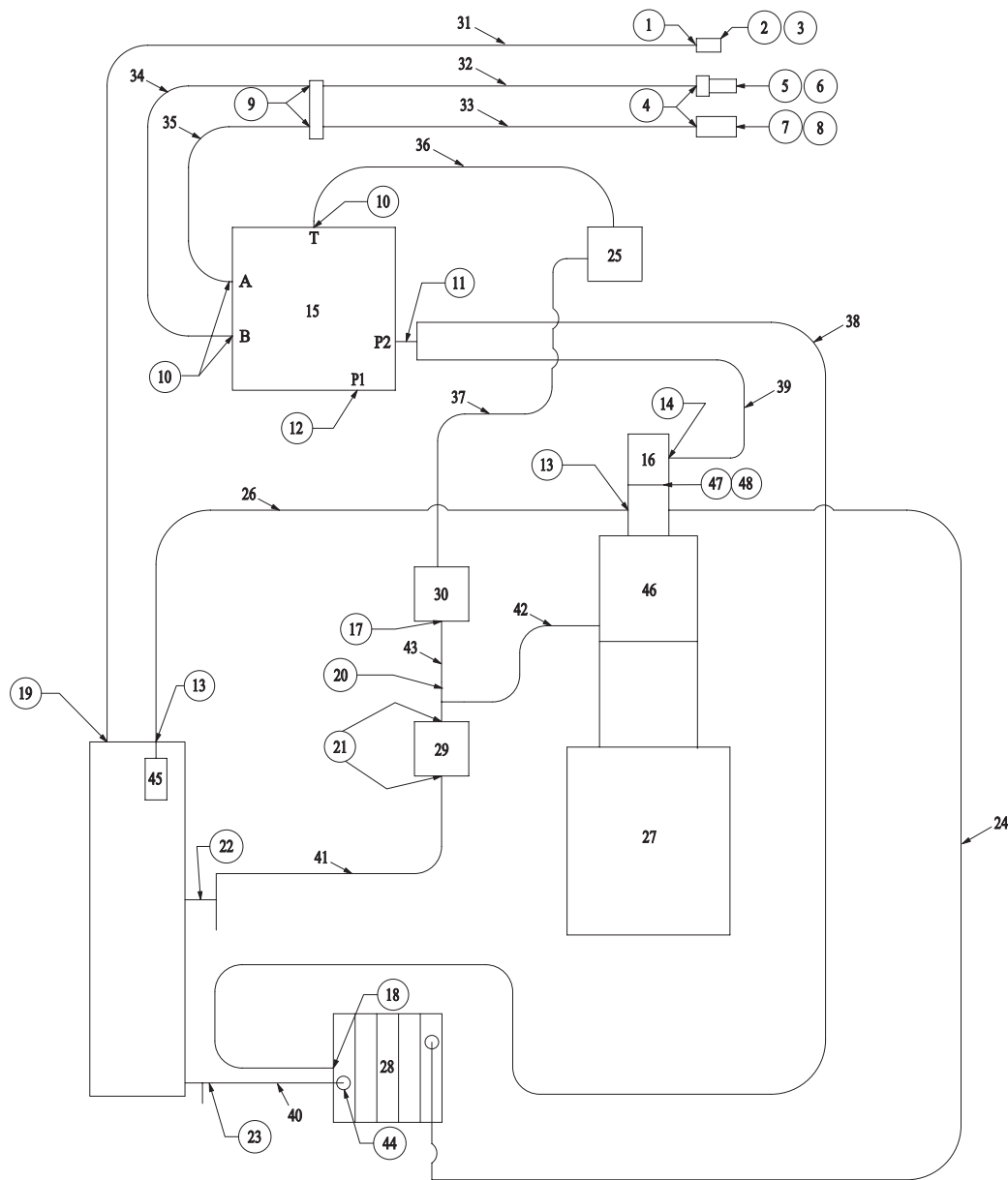
Part No.	Qty	Description
963439SP	1	Kit, Hydraulic Oil Heater:
030549 SP	1	Heater, Hyd Oil 3/4 NPT MX 11 1/8 Long 300Watts-12

Precleaner Kit**8.18**

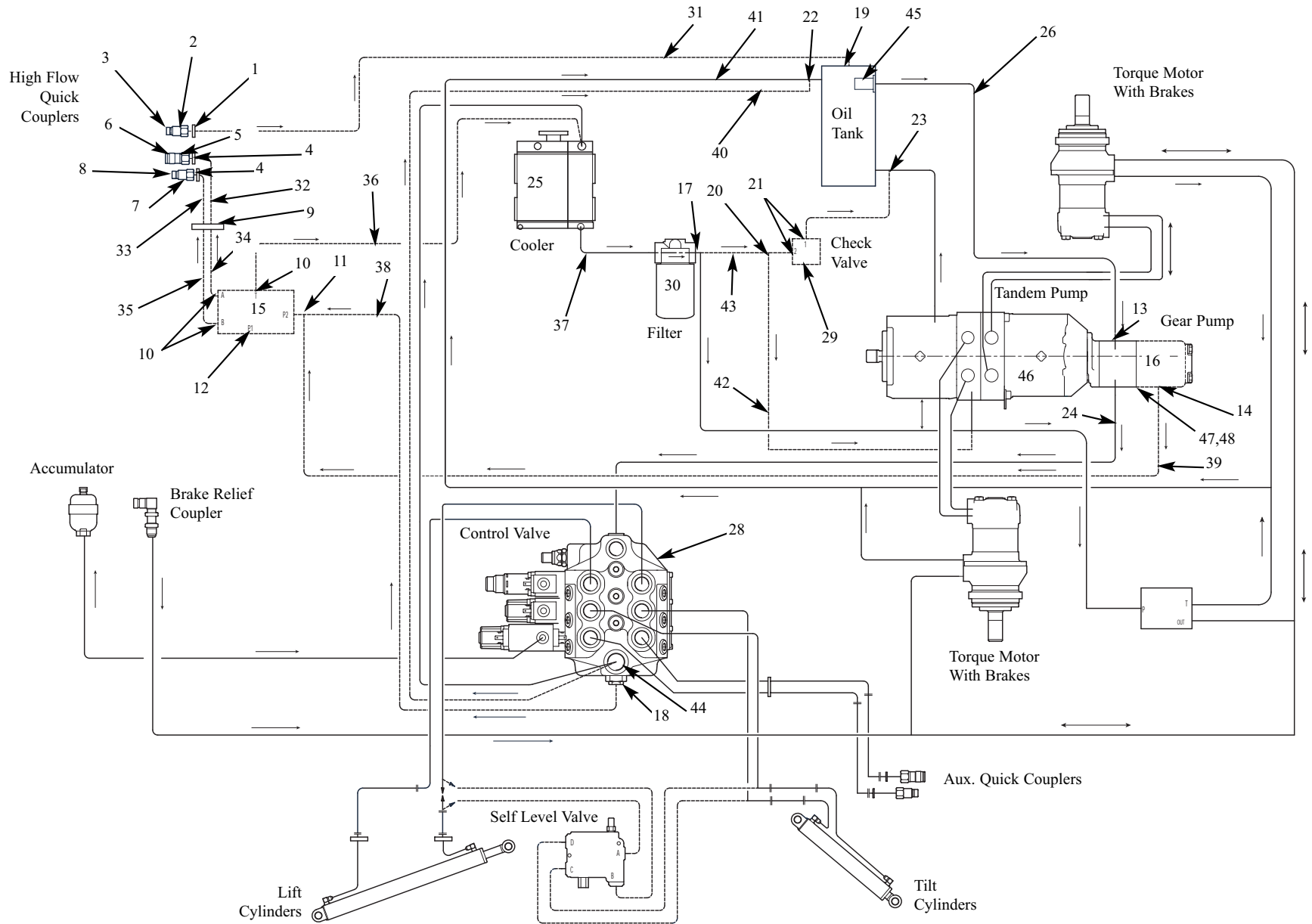
Part No.	Qty	Description
963467SP	1	Kit, Precleaner:
043695 SP	1	Precleaner, 2" Inlet w/Gasket for 1.75"

Lifting Lug (ROPS) Kit**8.19**

Part No.	Qty	Description
963633SP	1	Kit, Lug Lifting ROPS:
046770 SP	2	Plate, Lifting Lug
001660 SP	4	Bolt, Hex 9/16 UNC x 1 1/2 UNC GR5 PL
001077 SP	4	Nut, Hex 9/16 UNC PL GR5
002650 SP	4	Washer, Flat 9/16 PL
001648 SP	4	Washer, Lock 9/16 PL



Pos NO.	Part No.	Qty	Description				
	964468SP	1	Kit, Hi-Flow (153, To S/N LN0004999)				
1	029437SP	1	Connector, Bulkhead	35	964479SP	1	Hose, Hydraulic 3/4" x 56" (Bulkhead elbow at tank to Hi-Flow valve A)
2	048592SP	1	Coupling, Quick Disconnect 8 Female, Flush Face	36	964483SP	1	Hose, Hydraulic 3/4" x 96 3/4" (Hi-Flow valve T port to cooler inlet)
3	048594SP	1	Cap, Dust for 8 Female Flush Face Coupling	37	963338SP	1	Hose, Hydraulic 3/4" x 94.5" (Oil cooler bottom to filter inlet)
4	048680SP	2	Connector, Bulkhead	38	964482SP	1	Hose, Hydraulic 3/4" x 61 1/2" (Control valve to Hi-Flow valve)
5	043919SP	1	Coupling, Quick Disconnect 16 Female, Flush Face	39	964471SP	1	Hose, Hydraulic, 5/8" x 56" (Gear Pump to Hi-Flow valve P2)
6	043921SP	1	Cap, Dust For 16 Female, Flush Face Coupling	40	964484SP	1	Hose, Hydraulic, 1/2" x 6" (Loader control valve to tank)
7	043920SP	1	Coupling, Quick Disconnect 16 Male, Flush Face	41	964474SP	1	Hose, Hydraulic 3/4" x 68" (Relief valve to tank)
8	043922SP	1	Cap, Dust for 16 Male, Flush Face Coupling	42	964473SP	1	Hose, Hydraulic 1/2" x 80" (Relief valve to tandem pump charge)
9	048736SP	2	Connector, Bulkhead 90°	43	964481SP	1	Hose, Hydraulic 3/4" x 6" (Filter to relief valve)
10	014867SP	3	Connector, Male	44	020813SP	1	Connector, Male
11	036848SP	1	Tee, Run	45	014898SP	1	Element, Hyd. Oil Suction
12	020883SP	1	Plug, Hex Head	46	049043SP	1	Pump, Tandem Ass'y
13	038768SP	2	Elbow, 90°	47	043658SP	2	O-Ring
14	019232SP	2	Elbow, 90°	48	043665SP	2	Screw, Cap
15	048598SP	1	Valve, Hyd. Manifold				
16	048599SP	1	Pump, Gear Double				
17	038386SP	2	Elbow, 90°				
18	044462SP	1	Plug, Power Beyond				
19	029438SP	1	Connector, Male				
20	038388SP	1	Tee, Run				
21	024478SP	2	Connector, Male				
22	046992SP	1	Tee, Run				
23	026641SP	1	Tee, Run				
24	962364SP	1	Hose, Hydraulic 5/8" x 70" (Gear pump to control valve inlet)				
25	048794SP	1	Cooler, Oil Ass'y				
26	964472SP	1	Hose, Hydraulic 1 1/4" x 70 1/2"				
27	049279SP	1	Engine Ass'y V2203-E2B, Tier II				
28	047803SP	1	Control Valve				
29	048766SP	1	Check Valve Ass'y				
30	043539SP	1	Filter, Hyd. Ass'y				
31	964475SP	1	Hose, Hydraulic 1/2" x 81" (Attachment Return)				
32	964476SP	1	Hose, Hydraulic 3/4" x 88" (Bulkhead Elbow at tank to bulkhead of quick coupler)				
33	964477SP	1	Hose, Hydraulic 3/4" x 86" (Bulkhead elbow at tank to bulkhead of quick coupler)				
34	964480SP	1	Hose, Hydraulic 3/4" x 61" (Bulkhead elbow at tank to Hi-Flow valve B)				



Pos NO.	Part No.	Qty	Description				
	966294SP	1	Kit, Hi-Flow (153, S/N LN0005000 Onward)	35.	964479SP	1	Hose, Hydraulic 3/4" x 56" (Bulkhead elbow at tank to Hi-Flow valve A)
1.	029437SP	1	Connector, Bulkhead	36.	964483SP	1	Hose, Hydraulic 3/4" x 96 3/4" (Hi-Flow valve T port to cooler inlet) (To S/N LN0004999)
2.	048592SP	1	Coupling, Quick Disconnect 8 Female, Flush Face	36.	966298SP	1	Hose, Hydraulic 3/4" x 60" (Hi-Flow valve T port to cooler inlet) (S/N LN0005000 Onward)
3.	048594SP	1	Cap, Dust for 8 Female Flush Face Coupling	37.	963338SP	1	Hose, Hydraulic 3/4" x 94.5" (Oil cooler bottom to filter inlet)
4.	048680SP	2	Connector, Bulkhead	38.	964482SP	1	Hose, Hydraulic 3/4" x 61 1/2" (Control valve to Hi-Flow valve)
5.	043919SP	1	Coupling, Quick Disconnect 16 Female, Flush Face	39.	964471SP	1	Hose, Hydraulic 5/8" x 56" (Gear Pump to Hi-Flow valve P2)
6.	043921SP	1	Cap, Dust for 16 Female, Flush Face Coupling	40.	964484SP	1	Hose, Hydraulic 1/2" x 6" (Loader control valve to tank)
7.	043920SP	1	Coupling, Quick Disconnect 16 Male, Flush Face	41.	964474SP	1	Hose, Hydraulic 3/4" x 68" (Relief valve to tank)
8.	043922SP	1	Cap, Dust for 16 Male Flush Face Coupling	42.	964473SP	1	Hose, Hydraulic 1/2" x 80" (Relief valve to tandem pump charge)
9.	048736SP	2	Connector, Bulkhead 90°	43.	964481SP	1	Hose, Hydraulic 3/4" x 6" (Filter to relief valve)
10.	014867SP	3	Connector, Male	44.	020813SP	1	Connector, Male
11.	036848SP	1	Tee, Run	45.	014898SP	1	Element, Hyd. Oil Suction
12.	020883SP	1	Plug, Hex Head	46.	049043SP	1	Pump, Tandem Assy.
13.	038768SP	2	Elbow, 90°	47.	043658SP	2	O-Ring
14.	019232SP	2	Elbow, 90°	48.	043665SP	2	Screw, Cap
15.	048598SP	1	Valve, Hyd. Manifold				
16.	048599SP	1	Pump, Gear Double				
17.	038386SP	2	Elbow, 90°				
18.	044462SP	1	Plug, Power Beyond				
19.	029438SP	1	Connector, Male				
20.	038388SP	1	Tee, Run				
21.	024478SP	2	Connector, Male				
22.	046992SP	1	Tee, Run				
23.	026641SP	1	Tee, Run				
24.	962364SP	1	Hose, Hydraulic 5/8" x 70" (Gear pump to control valve inlet)				
25.	048794SP	1	Cooler, Oil Assy.				
26.	964472SP	1	Hose, Hydraulic 1 1/4" x 70 1/2"				
27.	049279SP	1	Engine Assy V2203-E2B, Tier II				
28.	047803SP	1	Control Valve				
29.	048766SP	1	Check Valve Assy.				
30.	043539SP	1	Filter, Hyd. Assy.				
31.	964475SP	1	Hose, Hydraulic 1/2" x 81" (Attachment Return)				
32.	964476SP	1	Hose, Hydraulic 3/4" x 88" (Bulkhead elbow at tank to bulkhead of quick coupler)				
33.	964477SP	1	Hose, Hydraulic 3/4" x 86" (Bulkhead elbow at tank to bulkhead of quick coupler)				
34.	964480SP	1	Hose, Hydraulic 3/4" x 61" (Bulkhead elbow at tank to Hi-Flow valve B)				

PART NO.	SECTION	PART NO.	SECTION	PART NO.	SECTION
000073SP	8.4	001680SP	1.4	014797SP	1.1
000261SP	1.1	001773SP	1.1	014866SP	4.8, 4.9, 5.1
000407SP	1.1	001870SP	1.5, 1.9, 2.1, 2.2, 2.4, 4.1, 4.6, 4.7, 4.8, 7.6, 8.5, 8.7, 8.12	014867SP	5.1, 8.20, 8.21
000415SP	8.4			014868SP	5.1
000580SP	1.3, 7.5			014877SP	3.2
000621SP	6.2	002010SP	1.4, 4.10	014898SP	8.20, 8.21
000698SP	4.1	002011SP	1.4	015052SP	7.4
000765SP	8.4, 8.5, 8.6, 8.7	002279SP	7.5, 8.3, 8.4	015103SP	5.1
000820SP	1.6	002580SP	7.2, 7.3	015140SP	7.4
000821SP	1.6	002593SP	2.1, 2.2	015141SP	7.4
000822SP	7.5, 7.6	002650SP	8.19	015521SP	7.6, 8.4
001077SP	8.19	002663SP	2.3, 7.1, 7.5, 8.3	015750SP	8.3
001190SP	1.9, 2.2, 7.5, 7.6, 8.12	002811SP	2.4, 8.7, 8.12, 8.14, 8.15	015885SP	8.3, 8.7, 8.14
001191SP	1.5, 4.1, 4.6, 4.7, 7.6, 8.5, 8.7, 8.12	002823SP	1.2, 1.3	015931SP	1.8, 8.2
001193SP	1.5, 3.3, 4.8, 4.9	002835SP	1.2, 1.3	016019SP	8.4
001194SP	7.6	002898SP	1.8	016771SP	1.2, 1.3, 1.4, 1.10, 2.1, 2.2, 4.4, 4.5, 4.8, 7.2, 7.3, 7.5, 7.6
001196SP	7.6	003189SP	1.2, 1.3		
001248SP	1.8	003273SP	8.5, 8.12	016989SP	1.2, 1.3
001350SP	1.9, 7.5	003321SP	1.4	017144SP	1.1
001387SP	7.6	003625SP	8.4	017204SP	8.7
001622SP	8.12	003665SP	3.2	017386SP	8.4
001626SP	2.2	003667SP	3.2	017441SP	4.3, 4.5
001630SP	2.1	004398SP	8.12	017493SP	8.4
001634SP	3.2	005170SP	8.3, 8.4	017940SP	8.6
001642SP	2.1, 3.3, 4.8, 4.9, 5.2, 7.6	005832SP	1.11, 3.2	018318SP	1.1
001643SP	1.2, 1.3, 1.5, 2.1, 2.3, 4.8, 4.9, 7.1, 7.5, 7.6, 8.7	005968SP	3.2	018455SP	1.8
001648SP	7.6, 8.19	006081SP	8.5	018467SP	7.5
001650SP	2.3, 7.5, 7.5, 8.3' 8.4	006086SP	1.9	018468SP	7.5
001651SP	1.2, 1.3, 1.9, 4.1, 4.6, 4.7, 4.8, 7.1, 7.2, 7.3, 8.4, 8.5, 8.7, 8.12	006268SP	7.1	018469SP	7.5
001660SP	8.19	006393SP	8.7, 8.12	018478SP	7.5
001671SP	2.3	006467SP	8.7, 8.12, 8.14	019029SP	8.7
001673SP	2.1	006468SP	8.7, 8.12	019226SP	4.7
001675SP	1.10	006645SP	7.1, 8.3, 8.4	019232SP	8.20, 8.21
001676SP	1.10	006782SP	6.1	019235SP	4.1
001677SP	1.4, 2.1	007045SP	8.7	019240SP	5.1
001678SP	1.2, 1.3	007416SP	2.3	019538SP	7.5, 7.6
		007465SP	1.2, 1.3, 1.5, 1.10 2.3	019572SP	7.5, 7.6
		007723SP	1.6	019573SP	7.5
		008613SP	1.1, 1.4, 1.8, 1.10, 2.4	019574SP	7.5
		008615SP	8.5, 8.7	019586SP	7.5, 7.6, 8.4
		008897SP	1.4	019605SP	6.1
		012117SP	7.1	019813SP	3.3
		014620SP	1.10	019949SP	1.1
				020182SP	4.2, 4.3, 4.4, 4.5, 4.6

PART NO.	SECTION	PART NO.	SECTION	PART NO.	SECTION
020194SP	4.5	023371SP	2.3	031488SP	1.2, 1.3
020235SP	1.8	023379SP	3.2	031489SP	1.2, 1.3
020813SP	8.20, 8.21	023385SP	1.1, 1.4	031654SP	2.3
020860SP	1.2, 1.3, 1.4	023706SP	3.3	031744SP	1.8, 8.7
020861SP	1.4, 1.8	023707SP	3.3	032275SP	Decals
020883SP	8.20, 8.21	023861SP	1.1	032478SP	4.1
021028SP	7.1, 7.5	023864SP	4.9	032600SP	8.3
021029SP	7.2, 7.3, 7.4, 7.6, 8.7	024214SP	1.1	032614SP	1.10
021121SP	4.6, 4.7	024264SP	1.1	032615SP	1.10
021259SP	8.7	024478SP	8.20, 8.21	032629SP	8.3
021554SP	7.2, 7.3	024942SP	3.3	032671SP	8.4
021557SP	7.5, 7.6	025011SP	4.8, 4.9, 5.1	032672SP	8.4
021559SP	2.1, 7.2, 7.3, 7.6	025091SP	1.10	032682SP	8.4
021701SP	4.1	025445SP	1.8	032920SP	1.1
021907SP	8.7	025460SP	Decals	033023SP	7.5, 7.6
022204SP	7.5, 7.6	025465SP	4.3, 4.5	033112SP	1.1
022302SP	3.3	025530SP	1.9	033146SP	7.5, 7.6
022381SP	4.1	025583SP	2.2	033149SP	7.5, 7.6
022448SP	3.2	025589SP	2.1	033385SP	7.5, 7.6
022462SP	3.1	026172SP	2.2, 2.4	033547SP	3.3
022467SP	3.3	026174SP	2.2	033850SP	5.1
022653SP	1.4	026188SP	3.2	034903SP	4.1
022950SP	3.3	026641SP	4.5, 5.1, 8.20, 8.21	034919SP	4.1, 7.5, 7.6
022960SP	3.3	026665SP	1.3, 7.5	035243SP	4.8, 4.9
022968SP	7.1, 7.5	026715SP	8.4	035388SP	4.6
023096SP	2.3	026737SP	1.1	035426SP	1.2, 1.3
023107SP	7.5	027013SP	8.7, 8.12	035449SP	1.9
023194SP	1.1	028982SP	2.3	035451SP	4.10, 4.11
023250SP	7.6	029241SP	8.14	035568SP	7.5
023256SP	3.3	029384SP	2.1	035765SP	7.5
023258SP	3.3	029437SP	4.7, 8.20, 8.21	035772SP	7.5, 7.6
023301SP	Decals	029438SP	8.20, 8.21	035773SP	7.5
023307SP	Decals	029478SP	4.6	035774SP	7.5, 7.6
023308SP	Decals	029971SP	6.1	035847SP	7.5
023309SP	Decals	029972SP	8.4	035883SP	2.1, 2.2
023310SP	Decals	030266SP	5.1	035884SP	2.1
023312SP	Decals	030044SP	2.1	036021SP	7.5
023321SP	Decals	030549SP	8.17	036598SP	Decals
023324SP	Decals	031032SP	4.11	036733SP	4.1
023325SP	Decals	031058SP	3.2	036778SP	1.10
023326SP	Decals	031156SP	8.4	036789SP	8.11
023355SP	4.4, 4.5	031166SP	8.4	036848SP	8.20, 8.21
023356SP	4.4, 4.5	031167SP	8.4	036855SP	4.6, 4.7
		031291SP	Decals	037010SP	Decals

PART NO.	SECTION	PART NO.	SECTION	PART NO.	SECTION
037059SP	Decals	039121SP	6.2	040918SP	6.1, 8.5
037060SP	Decals	039122SP	6.2, 8.4, 8.5, 8.6, 8.7,	040921SP	1.1
037104SP	6.2		8.12	040922SP	1.1
037164SP	8.3	039123SP	6.1, 8.7	041018SP	8.6
037167SP	8.4	039124SP	6.1	041023SP	8.6
037206SP	4.1, 6.2	039126SP	1.6	041024SP	7.1, 7.5, 7.6
037210SP	8.14	039127SP	8.5	041045SP	Decals
037275SP	8.3	039191SP	Decals	041064SP	Decals
037472SP	8.6	039192SP	Decals	041065SP	Decals
037596SP	8.3	039196SP	Decals	041066SP	Decals
037597SP	8.3	039197SP	Decals	041117SP	1.4
037601SP	8.4	039206SP	8.5	041201SP	4.10
037606SP	8.4	039540SP	6.2	041208SP	4.11
037607SP	8.4	039546SP	1.9	041209SP	4.10, 4.11
037633SP	8.4	039556SP	1.6	041290SP	1.4
037819SP	4.2, 4.3	039557SP	1.6	041291SP	1.4
038043SP	Decals	039728SP	7.5	041317SP	8.6
038302SP	1.10, 4.4, 4.5	039730SP	7.5	041392SP	1.4
038386SP	4.8, 8.20, 8.21	039736SP	7.2, 7.3	041427SP	6.1
038388SP	8.20, 8.21	039840SP	6.2, 8.14	041626SP	1.1, 6.2
038389SP	5.1	039868SP	8.2	041704SP	1.6
038472SP	1.10, 4.4, 4.5	039869SP	8.2	041705SP	8.6
038516SP	1.5, 6.2	039880SP	8.5, 8.6	041706SP	8.6
038517SP	2.3	039899SP	8.5, 8.14	041791SP	1.6
038541SP	8.4	039901SP	8.5, 8.6	041797SP	1.5
038558SP	7.5, 7.6	039904SP	1.5	041801SP	1.6
038560SP	1.8	039907SP	8.2	042065SP	6.1
038562SP	4.2, 4.3, 4.4, 4.5,	039972SP	6.1	042070SP	1.5, 1.6
	4.6, 4.7	039980SP	4.2, 4.3, 4.10	042107SP	Decals
038577SP	6.1	039981SP	4.2, 4.3, 4.10	042186SP	7.6
038600SP	1.5	039982SP	4.4, 4.5, 4.11	042187SP	8.12
038652SP	4.1	040162SP	1.9	042207SP	2.1
038752SP	8.7, 8.12	040477SP	1.6	042208SP	2.1
038761SP	6.1	040498SP	1.6	042350SP	1.4
038768SP	8.20, 8.21	040499SP	1.6	042371SP	3.3
038794SP	6.1	040495SP	1.6	042406SP	7.1
038855SP	6.2, 7.1	040553SP	2.4	042417SP	7.1
038870SP	6.2	040581SP	1.5	042418SP	7.1
038871SP	6.2	040614SP	1.4	042420SP	7.1
039009SP	8.5, 8.7	040652SP	8.4	042421SP	7.1
039041SP	4.2, 4.3	040778SP	1.4, 1.10	042490SP	1.9
039042SP	4.4, 4.5, 4.6, 4.7	040787SP	1.6	042546SP	3.3
039109SP	8.5, 8.7	040908SP	8.2	042556SP	4.8, 4.9
039110SP	8.5	040909SP	8.2	042557SP	4.8, 4.9

PART NO.	SECTION	PART NO.	SECTION	PART NO.	SECTION
042560SP	1.1, 7.5	043389SP	7.1	044316SP	7.4
042561SP	1.1, 7.5, 7.6	043487SP	4.3, 4.5	044317SP	7.5, 7.6
042563SP	8.4	043489SP	5.2	044319SP	7.6
042564SP	8.4	043539SP	8.20, 8.21	044320SP	7.5
042572SP	1.1	043549SP	1.6	044321SP	7.5, 7.6
042574SP	1.1	043556SP	7.1	044323SP	2.3, 8.12
042613SP	1.5, 1.6	043558SP	1.1, 3.1, 4.1, 7.5, 7.6	044345SP	8.2
042615SP	1.6	043647SP	7.2, 7.3, 8.16	044347SP	2.1
042737SP	1.1, 7.5, 7.6	043651SP	5.2	044348SP	2.1
042931SP	1.5	043658SP	5.2, 8.20, 8.21	044349SP	2.1
042940SP	7.5, 7.6	043665SP	5.2, 8.20, 8.21	044357SP	3.1
042950SP	2.4, 6.2	043695SP	8.18	044358SP	3.1
042951SP	6.2, 8.9	043714SP	8.14	044462SP	8.20, 8.21
042975SP	6.2, 8.9	043722SP	4.8	044473SP	4.8
043004SP	2.4	043759SP	8.7	044503SP	2.1
043005SP	2.4, 8.3	043805SP	5.3	044513SP	8.5, 8.7
043012SP	1.10	043813SP	5.3	044548SP	1.2, 1.3
043019SP	1.10	043828SP	1.10	044557SP	7.5
043064SP	5.1	043832SP	1.10	044615SP	Decals
043065SP	5.1	043833SP	1.10	044719SP	7.2, 7.3
043066SP	8.4	043834SP	1.4, 1.10	044720SP	7.2, 7.3
043081SP	6.2	043835SP	1.10	044721SP	7.2, 7.3
043082SP	6.2	043836SP	1.4, 1.10	044736SP	7.2, 7.3
043127SP	1.1	043902SP	4.1	044789SP	2.2
043128SP	1.1	043919SP	8.20, 8.21	044935SP	4.8
043129SP	1.1	043920SP	8.20, 8.21	044979SP	2.1, 2.2
043130SP	1.1	043921SP	8.20, 8.21	046034SP	2.4
043131SP	1.1	043922SP	8.20, 8.21	046106SP	2.2
043145SP	8.9	043975SP	8.16	046118SP	4.6, 4.7
043147SP	5.1	044016SP	8.10	046146SP	4.8
043164SP	5.2	044017SP	8.10	046159SP	2.2
043166SP	5.2	044079SP	1.9	046165SP	4.6, 4.7
043167SP	5.2	044126SP	5.1	046166SP	4.6, 4.7
043168SP	5.2	044136SP	5.2	046227SP	1.2, 1.3
043169SP	5.2	044166SP	5.3	046301SP	Decals
043188SP	5.1	044181SP	2.1	046303SP	1.8
043190SP	5.1	044182SP	2.1, 6.2, 8.5	046424SP	7.2
043327SP	8.12	044190SP	4.8	046430SP	8.10
043328SP	8.7, 8.12	044204SP	8.15	046436SP	1.11
043330SP	8.7, 8.12	044237SP	8.2	046437SP	1.11
043337SP	8.12	044240SP	8.15	046457SP	3.1
043338SP	5.3	044273SP	8.14	046458SP	4.1
043341SP	5.3	044299SP	4.8	046668SP	8.7
043342SP	5.3	044305SP	6.2, 8.9	046669SP	8.4, 8.7
043388SP	3.3	044315SP	7.4	046670SP	8.7

PART NO.	SECTION	PART NO.	SECTION	PART NO.	SECTION
046678SP	4.8	047324SP	1.7	049078SP	4.8
046686SP	6.1	047325SP	1.7	049079SP	4.8
046689SP	8.7	047326SP	1.7	049080SP	4.8
046690SP	8.7	047331SP	2.1, 2.2	049081SP	4.8
046770SP	8.19	047332SP	8.7	049082SP	4.8
046795SP	7.5	047333SP	8.7	049083SP	4.8
046835SP	8.7	047336SP	6.1	049279SP	8.20, 8.21
046836SP	6.1	047383SP	2.1	049281SP	1.4
046899SP	8.7	047418SP	8.8	049331SP	7.1
046992SP	8.20, 8.21	047419SP	8.7	049372SP	8.4
047050SP	8.3	047422SP	1.5, 6.2	049488SP	8.14
047085SP	8.10	047434SP	7.2, 7.6	049490SP	3.2
047086SP	8.10	047468SP	6.1	049647SP	8.14
047161SP	2.1, 2.2	047802SP	6.2	049648SP	8.14
047163SP	2.1, 2.2	047803SP	4.2, 4.3, 4.4, 4.5, 4.6, 4.7, 4.8, 6.2, 8.20, 8.21	049716SP	Decals
047176SP	2.2			049722SP	7.6
047219SP	1.6	047952SP	1.2, 1.3	049739SP	1.8
047263SP	Decals	048087SP	Decals	049740SP	1.8
047273SP	8.2	048182SP	6.2	049988SP	5.2
047274SP	8.2	048242SP	8.6	049990SP	5.2
047285SP	1.6	048275SP	1.5, 6.2	049997SP	4.7
047286SP	1.6	048276SP	1.5, 6.2, 8.13	049998SP	4.7
047299SP	1.7	048389SP	2.1	050232SP	7.6
047300SP	1.7	048437SP	5.1, 5.3	051399SP	8.7
047301SP	1.7	048569SP	5.1, 5.4, 6.2	052076SP	4.8
047302SP	1.7	048570SP	5.4	052186SP	1.6
047303SP	1.7	048571SP	5.4	052415SP	3.1
047304SP	1.7	048572SP	5.4	052419SP	7.6
047305SP	1.7	048592SP	4.6, 4.7, 8.20, 8.21	052429SP	6.1
047306SP	1.7	048593SP	4.6, 4.7	052599SP	4.8
047307SP	1.7	048594SP	4.6, 4.7, 8.20, 8.21	052600SP	4.8
047308SP	1.7	048595SP	4.6, 4.7	052603SP	4.8
047309SP	1.7	048598SP	8.20, 8.21	052604SP	4.8
047310SP	1.7	048599SP	8.20, 8.21	052605SP	4.8
047312SP	2.1, 2.2	048601SP	8.3	052646SP	4.8
047313SP	2.1, 2.2	048602SP	2.1	052718SP	7.6
047315SP	1.7	048603SP	2.1	052719SP	7.6
047316SP	1.7	048680SP	8.20, 8.21	052769SP	Decals
047317SP	1.7	048736SP	8.20, 8.21	052770SP	Decals
047318SP	1.7	048766SP	8.20, 8.21	052783SP	7.3
047319SP	1.7	048794SP	8.20, 8.21	052810SP	1.3
047320SP	1.7	049030SP	4.6	052817SP	7.6
047321SP	1.7	049043SP	5.1, 5.2, 8.20, 8.21	052868SP	Decals
047322SP	1.7	049069SP	8.4	053035SP	7.3
047323SP	1.7	049076SP	4.8	053049SP	7.6

PART NO.	SECTION	PART NO.	SECTION	PART NO.	SECTION
053061SP	7.6	962371SP	7.5, 7.6	963819SP	1.6
053151SP	7.6	962399SP	4.4, 4.5, 4.6	963834SP	1.8
053152SP	7.6	962400SP	4.1, 5.1	963839SP	1.8
953780SP	8.3	962401SP	1.1, 5.1	963840SP	2.4
954621SP	3.3	962502SP	7.1, 7.5	963874SP	8.5
954622SP	3.3	962627SP	5.1	963879SP	8.9
954623SP	3.3	962628SP	5.1	963880SP	8.1, 8.2
954896SP	7.4	962629SP	4.1, 5.1	963888SP	8.7
955280SP	3.2	962874SP	2.1	963890SP	8.7
955281SP	3.2	962892SP	1.2, 1.3	963898SP	1.2
955283SP	3.2	962894SP	1.2	963915SP	8.8
958730SP	3.2	963294SP	4.6, 4.7	964357SP	2.1
960437SP	3.2	963337SP	4.8	964468SP	8.20
960571SP	2.3	963338SP	4.8, 8.20, 8.21	964471SP	8.20, 8.21
960932SP	1.6	963392SP	8.1, 8.4	964472SP	8.20, 8.21
960945SP	4.2, 4.3	963403SP	8.11	964473SP	8.20, 8.21
960946SP	4.2, 4.3	963405SP	8.12	964474SP	8.20, 8.21
960948SP	4.4, 4.5, 4.6	963406SP	8.13	964475SP	8.20, 8.21
960993SP	1.4	963411SP	8.15	964476SP	8.20, 8.21
960994SP	1.4	963414SP	4.3, 4.5	964477SP	8.20, 8.21
960997SP	3.2	963427SP	1.11	964479SP	8.20, 8.21
961245SP	4.4, 4.5	963429SP	8.10	964480SP	8.20, 8.21
961249SP	1.4	963430SP	8.10	964481SP	8.20, 8.21
961252SP	1.4	963436SP	8.16	964482SP	8.20, 8.21
961693SP	6.2	963439SP	8.17	964483SP	8.20, 8.21
961839SP	7.5	963466SP	8.6	964484SP	8.20, 8.21
961840SP	7.5	963467SP	8.18	964691SP	4.1, 5.1
962038SP	6.2	963558SP	8.10	965272SP	4.8
962080SP	4.6	963561SP	8.10	965326SP	8.14
962088SP	1.10	963633SP	8.19	965495SP	2.2
962099SP	4.1	963745SP	8.3	965496SP	2.2
962110SP	4.8, 4.9, 5.1	963753SP	8.3	965685SP	4.7
962112SP	5.1	963755SP	8.1, 8.3	965686SP	4.7
962116SP	5.1	963800SP	1.6	965687SP	4.7
962117SP	5.1	963803SP	8.1	965688SP	4.7
962119SP	4.6	963805SP	8.10	965873SP	7.6
962200SP	2.3	963806SP	8.10	965874SP	7.6
962216SP	3.3	963808SP	2.1	965911SP	7.6
962306SP	8.16	963809SP	2.1	965927SP	7.6
962341SP	1.6	963813SP	2.1, 2.2	965935SP	7.6
962364SP	5.1, 8.20, 8.21	963814SP	2.1, 2.2	965938SP	5.1
962366SP	4.4, 4.5	963815SP	3.1	966201SP	1.3
962367SP	4.4, 4.5	963816SP	3.1	966208SP	7.6
962369SP	4.3	963817SP	4.1	966221SP	4.9
962370SP	4.3	963818SP	1.6	966294SP	8.21

PART NO.	SECTION
966298SP	8.21

PART NO.	SECTION
----------	---------

PART NO.	SECTION
----------	---------

PART NO. SECTION

PART NO. SECTION

PART NO. SECTION