

THOMAS 25G/25GT MINI-SKID LOADER



Owner's, Operator's And Parts Manual

Publication Number 048343SP
S/N ML000500 - Onward

THOMAS EQUIPMENT LIABILITY WARRANTY

THE WARRANTY IS THE ONLY OBLIGATION OF THOMAS OR A THOMAS DEALER TO THE PURCHASER OR ANYONE ELSE CONCERNING A PRODUCT, ITS SERVICE, ITS USE OR PERFORMANCE OR ITS LOSS OF USE OR FAILURE TO PERFORM. NEITHER THOMAS NOR A THOMAS DEALER HAVE MADE AND NEITHER WILL MAKE ANY OTHER EXPRESSED OR IMPLIED REPRESENTATION, WARRANTY OR AGREEMENT CONCERNING A PRODUCT. NEITHER THOMAS NOR A THOMAS DEALER HAVE MADE OR WILL MAKE ANY REPRESENTATION, WARRANTY OR AGREEMENT CONCERNING A PRODUCTS MERCHANTABILITY OR OTHER QUALITY, ITS SUITABILITY FOR PURCHASERS PURPOSE (EVEN IF A PURCHASER HAS INFORMED THOMAS OR A THOMAS DEALER OF THAT PURPOSE), ITS DURABILITY, PERFORMANCE OR OTHER CONDITIONS.

EVEN IF THOMAS OR A THOMAS DEALER WAS ADVISED OF THE POSSIBILITY OF SUCH LOSS, NEITHER THOMAS NOR A THOMAS DEALER WILL BE LIABLE TO PURCHASER OR ANYONE ELSE FOR ANY INDIRECT, INCIDENTAL CONSEQUENTIAL, PUNITIVE, ECONOMIC, COMMERCIAL, OR SPECIAL LOSS WHICH IS IN ANY WAY ASSOCIATED WITH A PRODUCT. THIS INCLUDES ANY LOSS OF USE OR NON-PERFORMANCE OF A PRODUCT, ANY REPLACEMENT RENTAL OR ACQUISITION COST, ANY LOSS OF REVENUE OR PROFITS, ANY FAILURE TO REALIZE EXPECTED SAVINGS, ANY INTEREST COSTS, ANY IMPAIRMENT OF OTHER GOODS, ANY INCONVENIENCE OR ANY LIABILITY OF PURCHASER TO ANY OTHER PERSON.

PURCHASER MAY NOT ATTEMPT TO ENLARGE ITS RIGHTS UNDER THE WARRANTY BY MAKING A CLAIM FOR INDEMNITY, FOR BREACH OF CONTRACT, FOR BREACH OF COLLATERAL WARRANTY, FOR A TORT (INCLUDING NEGLIGENCE, MISREPRESENTATION OR STRICT LIABILITY) OR BY CLAIMING ANY OTHER CAUSE OF ACTION.

THE WARRANTY IS A CONDITION OF SALE OF THE PRODUCT TO PURCHASER AND WILL THEREFORE APPLY EVEN IF PURCHASER ALLEGES THAT THERE IS A TOTAL FAILURE OF THE PRODUCT.

N.B. Read and practice your THOMAS operating and servicing instructions. Failure to do this may void your warranty.

PUBLICATION NUMBER 048343SP

INDEX

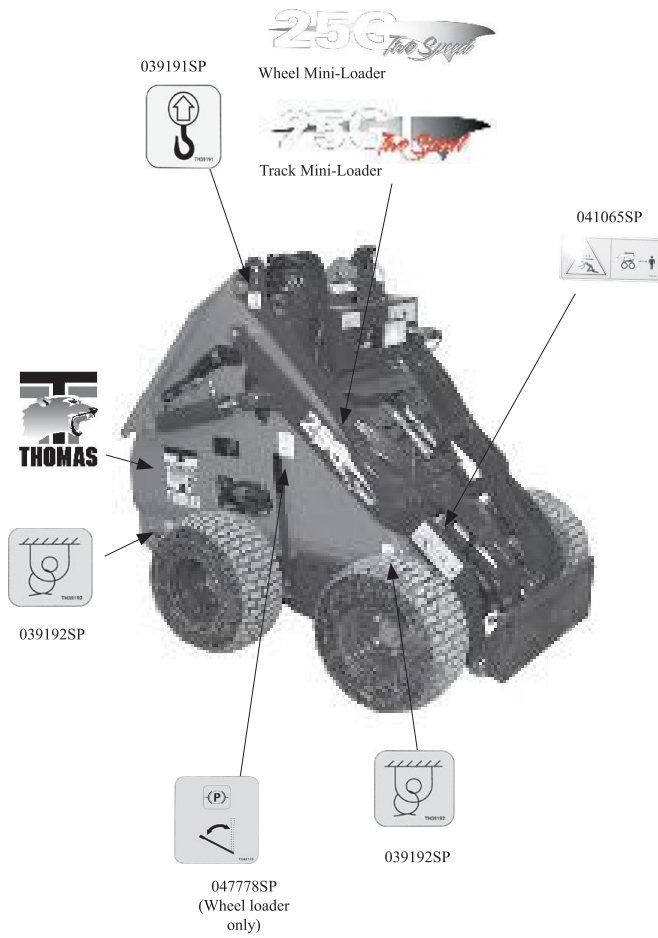
Liability Warranty

Decals

- 1 Mainframe
- 2 Lift Arms
- 3 Axle And Chain
- 4 Tracks
- 5 Park Brake
- 6 Hydraulic Schematic
- 7 Control Levers/Dash Panel
- 8 Exhaust Complete
- 9 Electrical Schematic
- 10 Engine Spare Parts

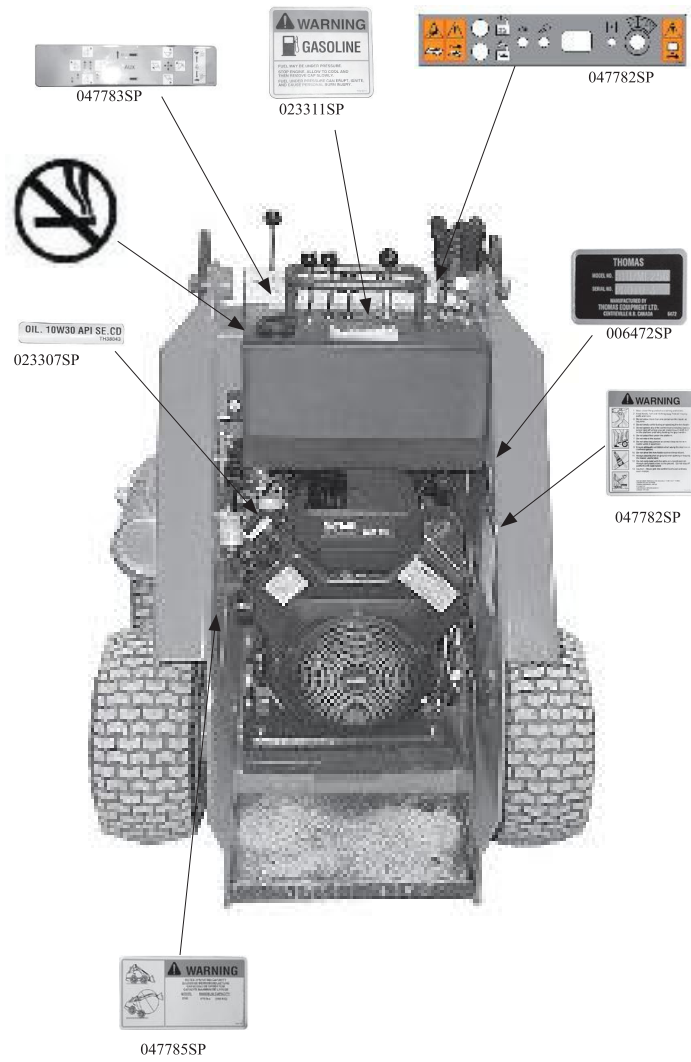
5...SPECIFICATIONS

5.3 DECALS



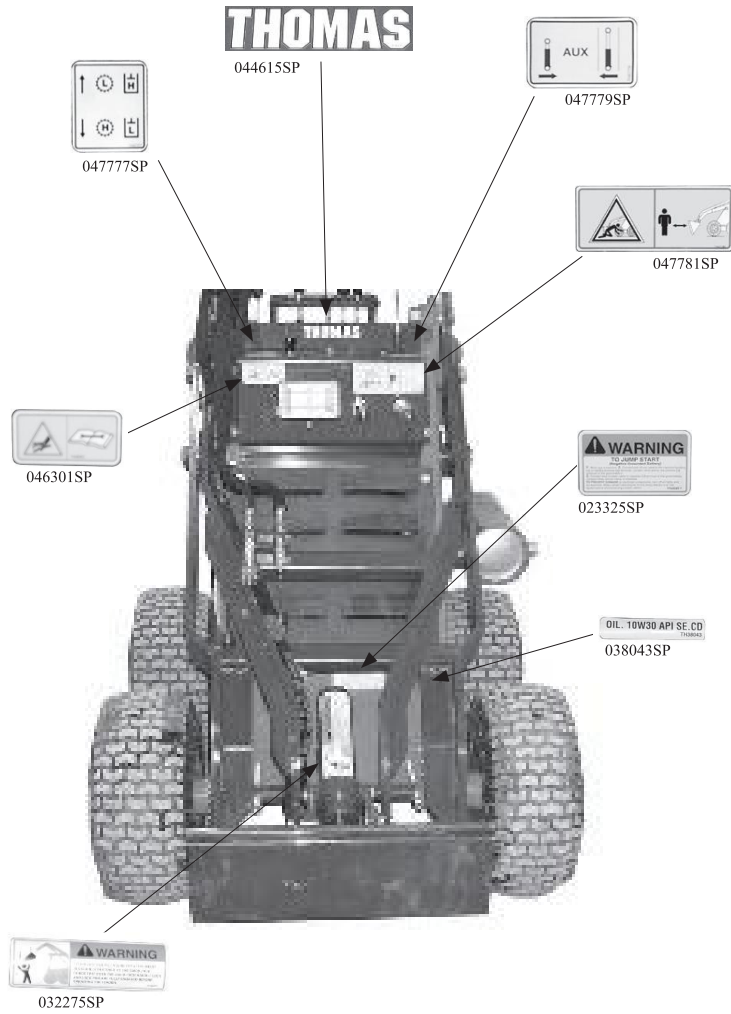
5...SPECIFICATIONS

5.3 DECALS



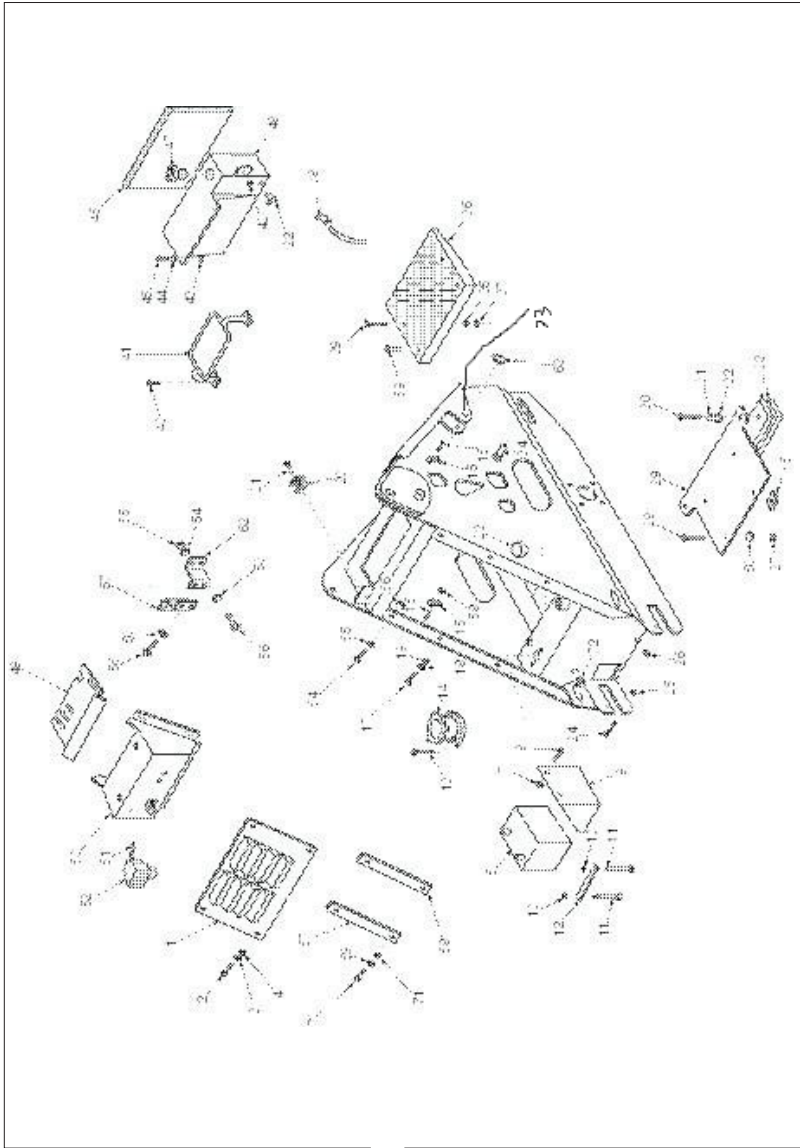
5...SPECIFICATIONS

5.3 DECALS



6....PARTS BREAKDOWN

6.1 MAINFRAME



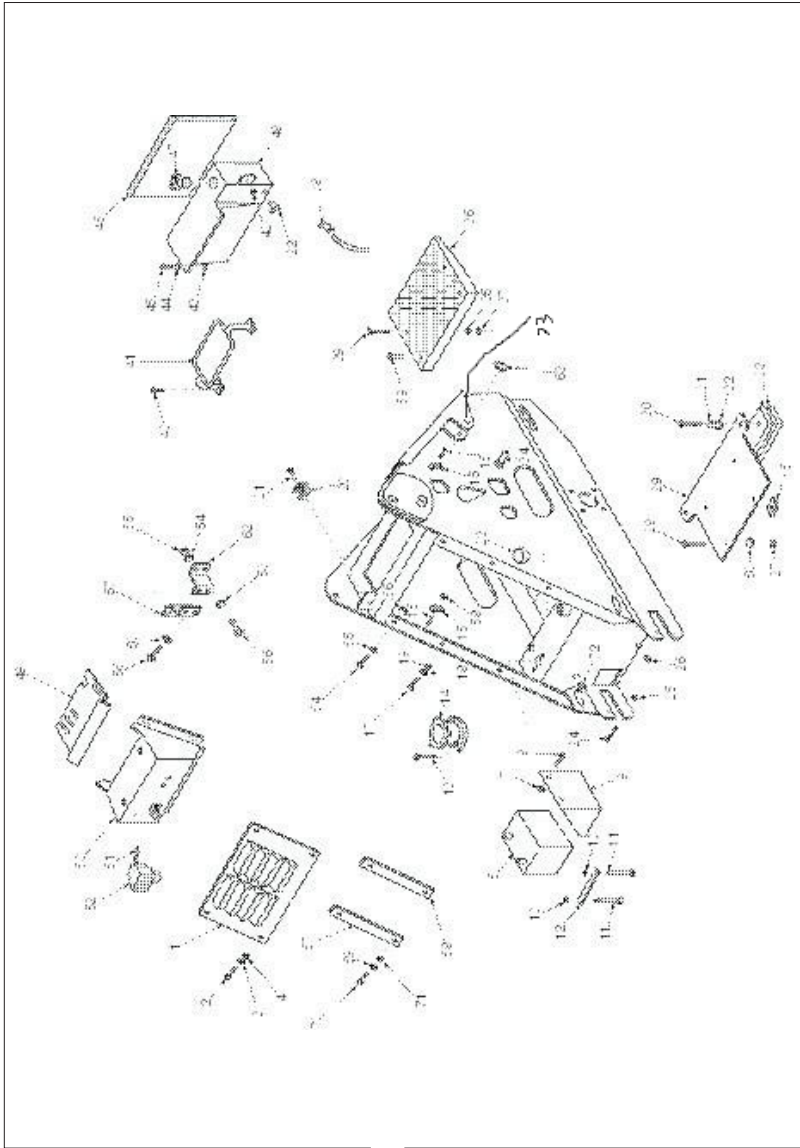
6...PARTS BREAKDOWN

6.1 MAINFRAME

| ITEM | PART NO. | DESCRIPTION | QTY. |
|------|----------|-------------------------------|------|
| 1. | 047561SP | Cover, Louver Grey | 1 |
| 2. | 001678SP | Bolt, Hex. 5/16" x 1 1/2" UNC | 4 |
| 3. | 001651SP | Washer, Flat 5/16" | 4 |
| 4. | 001870SP | Washer, Lock 5/16" | 4 |
| 5. | 048014SP | Engine Spacer | 4 |
| 6. | 045212SP | Battery, 12 V. | 1 |
| 7. | 006645SP | Nut, Nylok 1/4" UNC | 2 |
| 8. | 005170SP | Bolt, Hex. 1/4" x 1" | 2 |
| 9. | 964037SP | Battery Box Assembly | 1 |
| 10. | 006645SP | Nut, Nylok 1/4" UNC | 2 |
| 11. | 047845SP | Rod, Battery Hold Down | 2 |
| 12. | 047844SP | Bar, Battery Hold Down | 1 |
| 13. | 005170SP | Bolt, Hex. 1/4" x 1" UNC | 2 |
| 14. | 047838SP | Filter In Tank | 1 |
| * | 047839SP | Filter Element | 1 |
| 15. | 038472SP | Plate, Cover Twin | 3 |
| 16. | 001678SP | Bolt, Hex. 1/4" x 1 1/2" | 2 |
| 17. | 001190SP | Bolt, Hex. 5/16" x 1" UNC | 3 |
| 18. | 001870SP | Washer, Lock 5/16" | 4 |
| 19. | 001651SP | Washer, Flat 5/16" | 4 |
| 20. | 038303SP | Clamp, Tube Twin | 3 |
| 21. | 001674SP | Bolt, Hex. 5/16" x 3" UNC | 1 |
| 22. | 014797SP | Fuel Cock | 1 |
| 23. | 036733SP | Breather, Oil Filler | 1 |
| 24. | 001672SP | Bolt, Hex. 3/8" x 1 1/2" | 1 |
| 25. | 007465SP | Nut, Nylok 3/8" UNC | 4 |
| 26. | 009031SP | Plug | 3 |
| 27. | 001870SP | Washer, Lock 5/16" | 4 |
| 28. | 001676SP | Bolt, Hex 5/16" x 2 1/4" | 4 |
| 29. | 022381SP | Cover, Inspection Hole | 1 |
| 30. | 003550SP | Bolt, Hex. 3/8" x 3 1/2" | 2 |
| 31. | 001642SP | Washer, Lock 3/8" | 2 |
| 32. | 001643SP | Washer, Flat 3/8" | 2 |
| 33. | 047768SP | Counterweight | 4 |
| 34. | 047695SP | Pin, Lift Cylinder Base | 2 |
| 35. | 001643SP | Washer, Flat 3/8" | 4 |
| 36. | 047774SP | Counter Weight | 1 |
| 37. | 007465SP | Nut, Nylok 3/8" UNC | 4 |
| 38. | 014797SP | Fuel Shut Off Cock | 1 |

6....PARTS BREAKDOWN

6.1 MAINFRAME



6...PARTS BREAKDOWN

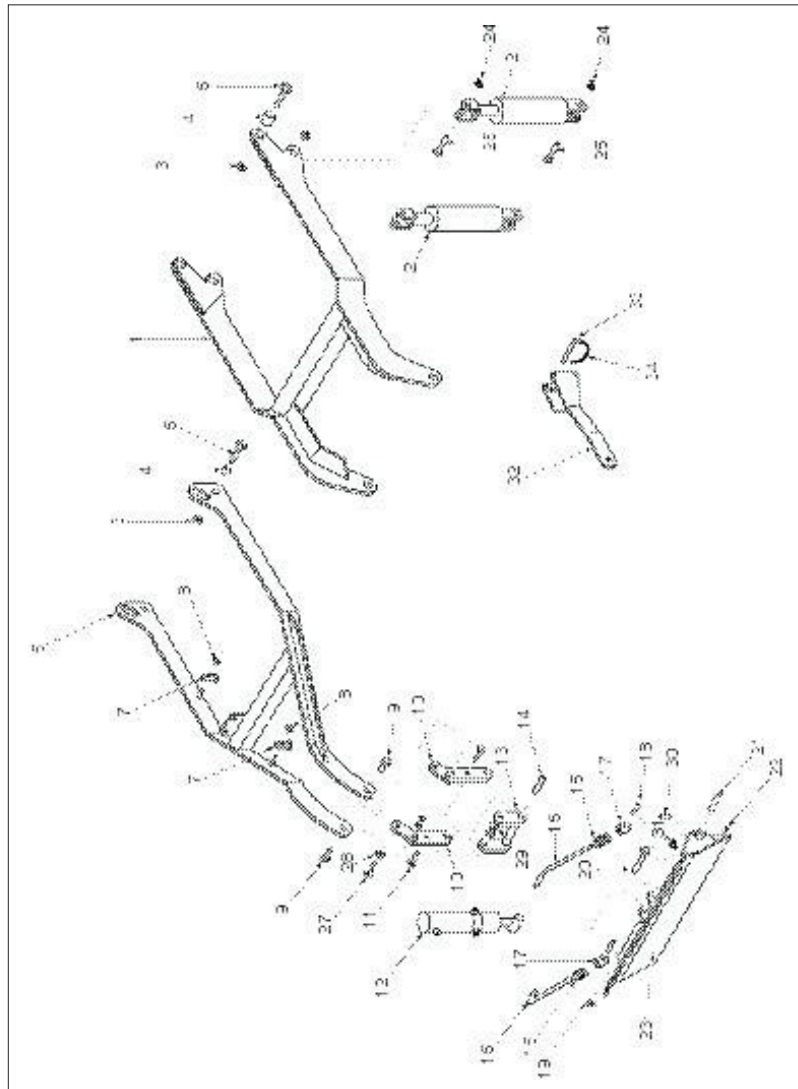
6.1 MAINFRAME (CONTINUED)

| ITEM | PART NO. | DESCRIPTION | QTY. |
|------|----------|------------------------------|------|
| 39. | 014620SP | Bolt, Hex. 3/8" x 2 3/4" | 2 |
| 40. | 001193SP | Bolt, Hex. 3/8" x 1" | 4 |
| 41. | 964132SP | Handle, Welded Assembly | 1 |
| 42. | 001642SP | Washer, Lock 3/8" | 1 |
| 43. | 001650SP | Washer, Flat 1/4" | 3 |
| 44. | 002279SP | Washer, Lock 1/4" | 3 |
| 45. | 007723SP | Bolt, Hex. 1/4" x 1 1/4" UNC | 3 |
| 46. | 047855SP | Insulation, Tank Bumper | 1 |
| 47. | 041005SP | Cap, Fuel | 1 |
| 48. | 047562SP | Fuel Tank, 2.5 Gal. | 1 |
| 49. | 047819SP | Dash Panel | 1 |
| 50. | 963983SP | Valve Mount Assembly | 1 |
| 51. | 001643SP | Washer, Flat 3/8" | 4 |
| 52. | 047468SP | Lamp, Halogen Complete | 1 |
| * | 047861SP | Bulb, Halogen | 1 |
| 53. | 021029SP | Washer, Lock, 8 mm | 4 |
| 54. | 001643SP | Washer, Flat 3/8" | 1 |
| 55. | 007465SP | Nut, Nylok 5/16" x 1" UNC | 1 |
| 56. | 023459SP | Bolt, Hex 8 x 15 x 1.25 | 3 |
| 57. | 047766SP | R.H. Valve Mount | 1 |
| 58. | 016771SP | Nut, Nylok 5/16" | 3 |
| 59. | 022810SP | Bolt, Hex. 3/8" x 3 3/4" | 2 |
| 60. | 001651SP | Washer, Flat 5/16" | 4 |
| 61. | 047469SP | Harness, Wire, Halogen | 1 |
| 62. | 047767SP | L.H. Valve Mount | 1 |
| 63. | 047529SP | 1" Retaining Ring | 2 |
| 64. | 001678SP | Ground Bolt, 5/16" x 1 1/2" | 1 |
| 65. | 048048SP | Serrated Washer | 1 |
| 66. | 016771SP | Nut, Nylok Hex. 5/16" UNC | 1 |
| 67. | 964133SP | Cooler Mount, L.H. | 1 |
| 68. | 964134SP | Cooler Mount, R.H. | 1 |
| 69. | 001651SP | Washer, Flat 5/16" | 2 |
| 70. | 006081SP | Bolt, Hex. 5/16" x 3/4" UNC | 2 |
| 71. | 001870SP | Washer, Lock 5/16" | 2 |
| 72. | 048090SP | Oil Sight Glass | 1 |
| 73. | 047530 | Bushing | 4 |
| * | 047744 | Inspection cover , belly pan | 1 |
| * | 026202 | Pressureized Cap | 1 |
| * | 047745 | Chain Guard | 1 |

Please note: ML000101 to ML000747, including ML000749-ML000756, ML000758- ML000768 have the old style tank.P/N -047562SP
All others use the new style tank, P/N- 048793SP.

6...PARTS BREAKDOWN

6.2 LIFT ARMS



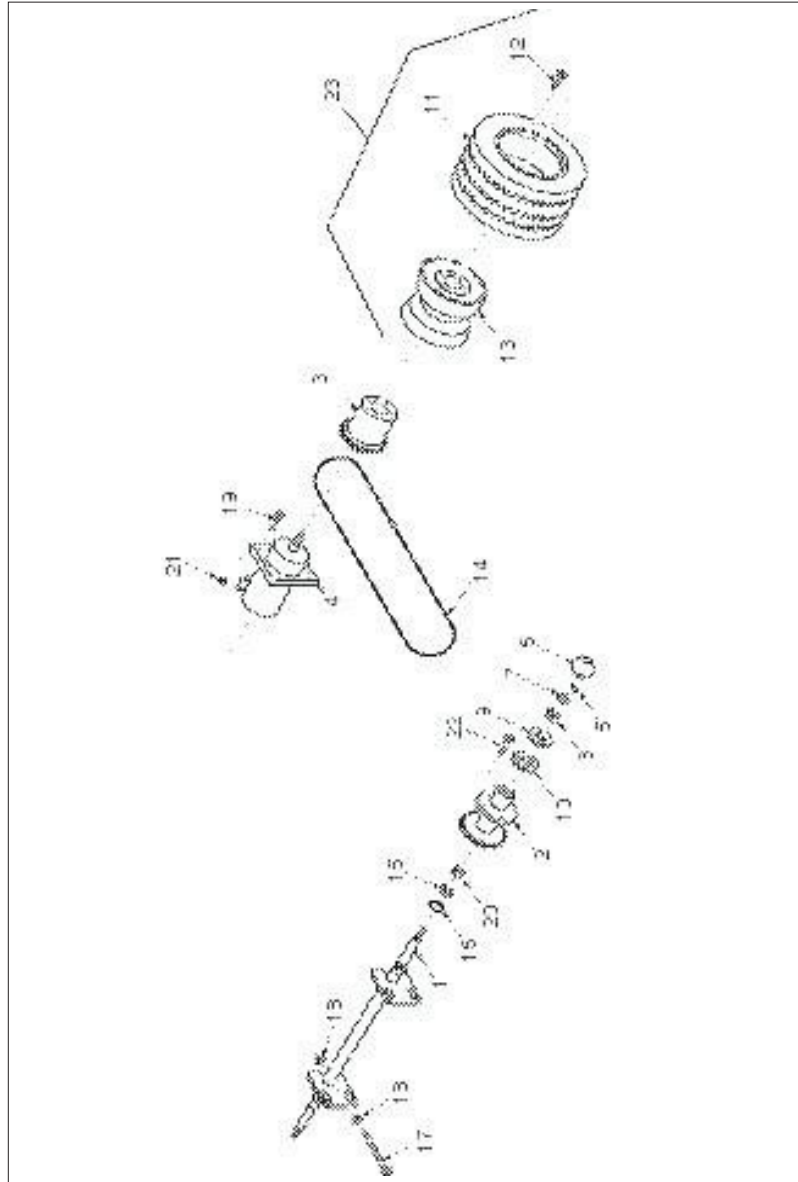
6...PARTS BREAKDOWN

6.2 LIFT ARMS

| ITEM | PART NO. | DESCRIPTION | QTY. |
|------|----------|---------------------------------------|------|
| 1. | 963979SP | Lift Arm Comp. | 1 |
| 2. | 048085SP | Cylinder Assembly, 2.5 x 8 x 22.375 | 2 |
| 3. | 047831SP | Nut, Jam 1" UNC | 4 |
| 4. | 047530SP | Hardened Bushing | 10 |
| 5. | 047688SP | Bolt, Hex. 1" x 3 1/2" UNC | 8 |
| 6. | 963980SP | Parallel Arm Welded Assembly | 1 |
| 7. | 038303SP | Clamp Tube | 9 |
| * | 038472SP | Plate, Cover Twin | 5 |
| 8. | 016771SP | Nut, Nylok Hex, 5/16" UNC | 5 |
| 9. | 047696SP | Pin, Tilt Arm | 2 |
| 10. | 963987SP | Tilt Support (L.H.) | 1 |
| 10. | 963988SP | Tilt Support (R.H.) | 1 |
| 11. | 001672SP | Bolt, Hex 3/8" x 1 1/2" UNC | 1 |
| 12. | 047463SP | Cylinder Assembly, 2.5" x 6.5" x 3.75 | |
| 13. | 963989SP | Tilt Support Center | 1 |
| 14. | 047698SP | Pin, Q-Tach Pivot | 1 |
| 15. | 047691SP | Bar, Q-Tach Handle | 2 |
| 16. | 047613SP | Spring, Compression | 2 |
| 17. | 047832SP | Angel Bushing | 2 |
| 18. | 001386SP | Pin, Cotter 3/16" x 2" | 2 |
| 19. | 006645SP | Nut, Nylok 1/4" UNC | 3 |
| 20. | 047694SP | Pin, Q-Tach Tilt | 1 |
| 21. | 964018SP | Pin, Q-Tach Pivot Assembly | 2 |
| 22. | 006645SP | Nut, Nylok 1/4" UNC | 2 |
| 23. | 963981SP | Q-Tach Welded Assembly | 1 |
| 24. | 047529SP | 1" Retaining Ring | 4 |
| 25. | 047817SP | Pin, Lift Cylinder L.H. | 1 |
| * | 047695SP | Pin, Lift Cylinder R.H. | 1 |
| 26. | 047695SP | Lift Cylinder Pin | 2 |
| 27. | 047693SP | Screw, Cap 1/2" x 3/4" UNC | 2 |
| 28. | 023385SP | Washer, Flat 1/2" PL. | 2 |
| 29. | 007465SP | Nut, Nylok 3/8" UNC | 2 |
| 30. | 003313SP | Bolt, Hex 1/4" x 2" UNC | 3 |
| 31. | 047529SP | Retaining Ring, 1" | 2 |
| 32. | 964168SP | Boom Support Assembly | 1 |
| 33. | 048084SP | Pin, Hitch, 1/4" x 2.3" | 1 |
| 34. | 048086SP | Lanyard, Nylon U-Lock | 1 |
| 35. | 047530SP | Bushing, 1.25x1x5/8 | 6 |
| 36. | 047788SP | Bushing, 1.25x1x.5 | 8 |
| 37. | 001478SP | Washer, 1" Flat | 2 |
| * | 049811SP | Tilt cyl seal kit | 2 |
| * | 047529SP | Retaining clip | |

6...PARTS BREAKDOWN

6.3 AXLE AND CHAIN (TIRE VERSION)



6...PARTS BREAKDOWN

6.3 AXLE AND CHAIN (TIRE VERSION)

| ITEM | PART NO. | DESCRIPTION | QTY. |
|------|----------|------------------------------------|------|
| 1. | 963982SP | Front Axle Assembly | 1 |
| 2. | 964006SP | Hub, Front Assembly | 2 |
| 3. | 965799SP | Hub, Rear Assembly | 2 |
| 4. | 047612SP | Motor, Hyd. Assembly | 2 |
| 5. | 047534SP | Dust Cap | 2 |
| 6. | 001546SP | Cotter Pin, 1/8" x 1" | 2 |
| 7. | 005914SP | Nut, Cotter 1/8" x 1" | 2 |
| 8. | 017516SP | Washer, 14 ga. 3/4" ID x 1 1/4" OD | 2 |
| 9. | 026722SP | Bearing Cone | 2 |
| 10. | 026723SP | Bearing Cup | 2 |
| 11. | 047538SP | Tire, Turf 18" x 8.5" x 8" | 4 |
| 12. | 001990SP | Wheel bolt, 1/2" x 1 1/2" UNF | 20 |
| 13. | 047537SP | 5 Bolt Wheel Assembly | 4 |
| 14. | 047526SP | Chain #60 | 2 |
| 15. | 008728SP | Oil Seal | 2 |
| 16. | 001988SP | Brg. Cone | 2 |
| 17. | 047820SP | Rod, Threaded Tensioner | 2 |
| 18. | 025091SP | Nut, Hex. 5/8" UNC | 2 |
| 19. | 001080SP | Bolt, Hex. 1/2" x 2 1/2" | 8 |
| 20. | 005183SP | Brg. Cup | 2 |
| 21. | 008613SP | Nut, Nylok 1/2" UNC | 8 |
| 22. | 001990SP | Bolt, Wheel 1/2" x 1 1/2" | 20 |
| 23. | 047647SP | Wheel And Tire Assembly | 2 |

PLEASE NOTE

All mini Loaders with a serial number under ML000940 that require a new axle, may purchase kit# 965799SP, which includes the torque motor with the different size shaft, 1 3/8", new hub, spacer, nut and cotter pin.

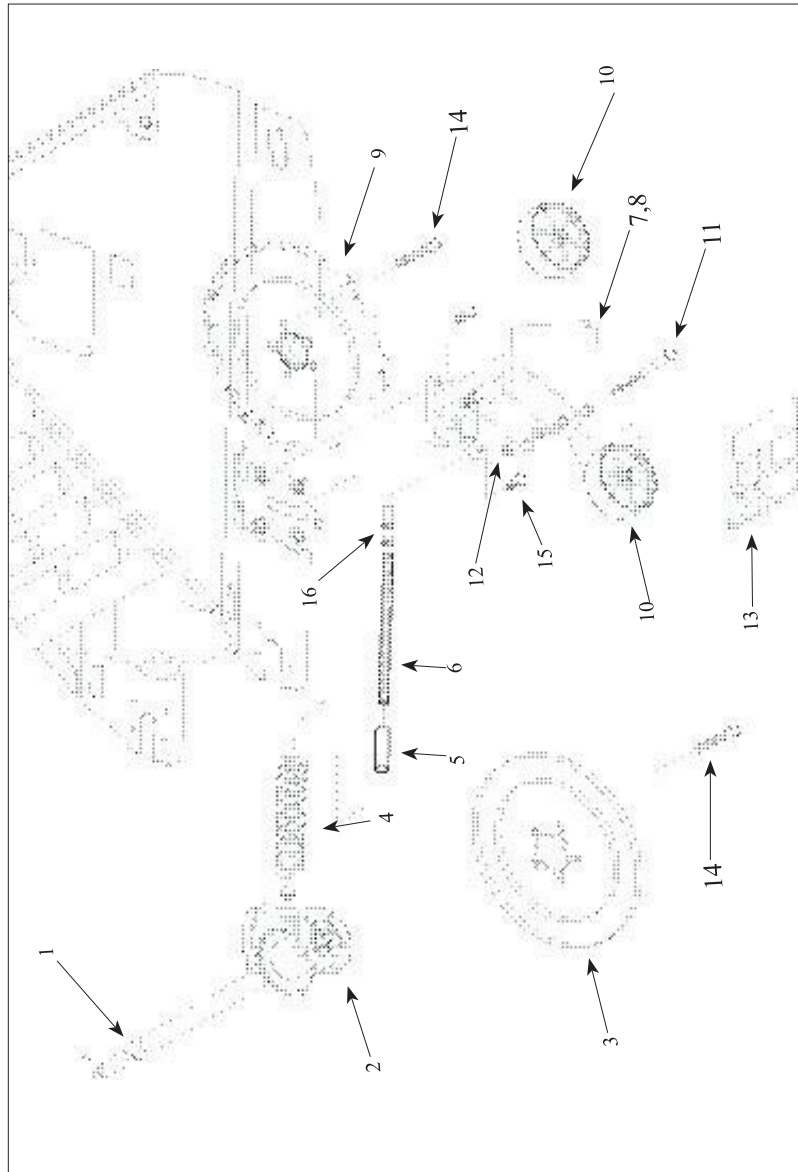
Another option is to buy the different size shaft, seal kit, spacer and nut. To do it this way you must have the new shaft installed by a hydraulic shop and your old hub needs to be honed to fit the new shaft.

Shaft -053671SP
 Seal Kit-053670SP
 Spacer-049721SP
 Nut -053749SP

You may also replace with the 1 1/4" shaft using part number 055470SP, along with the seal kit, part number 053670SP. Part number for the replacement castle nut is 025113SP.

6...PARTS BREAKDOWN

6.4 TRACKS



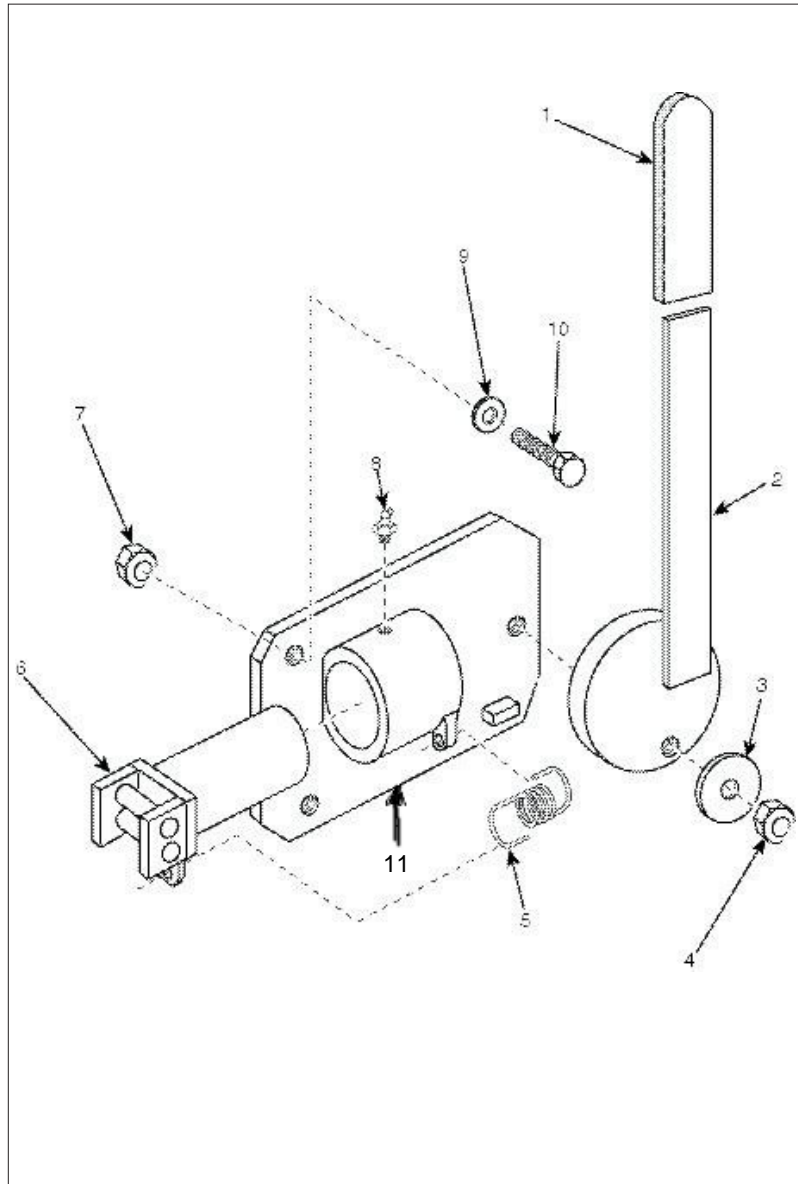
6...PARTS BREAKDOWN

6.4 TRACKS

| ITEM | PART NO. | DESCRIPTION | QTY. |
|------|----------|----------------------------|------|
| 1. | 964266SP | Front Axle | 1 |
| 2. | 964006SP | Front Sprocket | 2 |
| 3. | 964337SP | Front Track Sprocket | 2 |
| 4. | U-3518 | 6" Coil spring kit | 2 |
| 5. | 048315SP | Bushing | 2 |
| 6. | 048200SP | Tension Rod | 2 |
| 7. | 964263SP | Idler Assembly, L.H. | 1 |
| 8. | 964276SP | Idler Assembly, R.H. | 1 |
| 9. | 965364SP | Rear track sprocket | 2 |
| 10. | 049601SP | Wheel W/Roller bearing | 8 |
| 11. | 001474SP | Bolt | 4 |
| 12. | 008613SP | Nylok Nut | 4 |
| 13. | 052885SP | Conventional track | 2 |
| 14. | 001991SP | Wheel Bolts | 20 |
| 15. | 048303SP | Flange Bolt, 5/8" x 1 1/2" | 8 |
| * | 023385SP | Flat Washer, 1/2" | 8 |
| * | 048233 | 9" Coil spring | 2 |

6...PARTS BREAKDOWN

6.5 PARKING BRAKE (WHEEL LOADER)



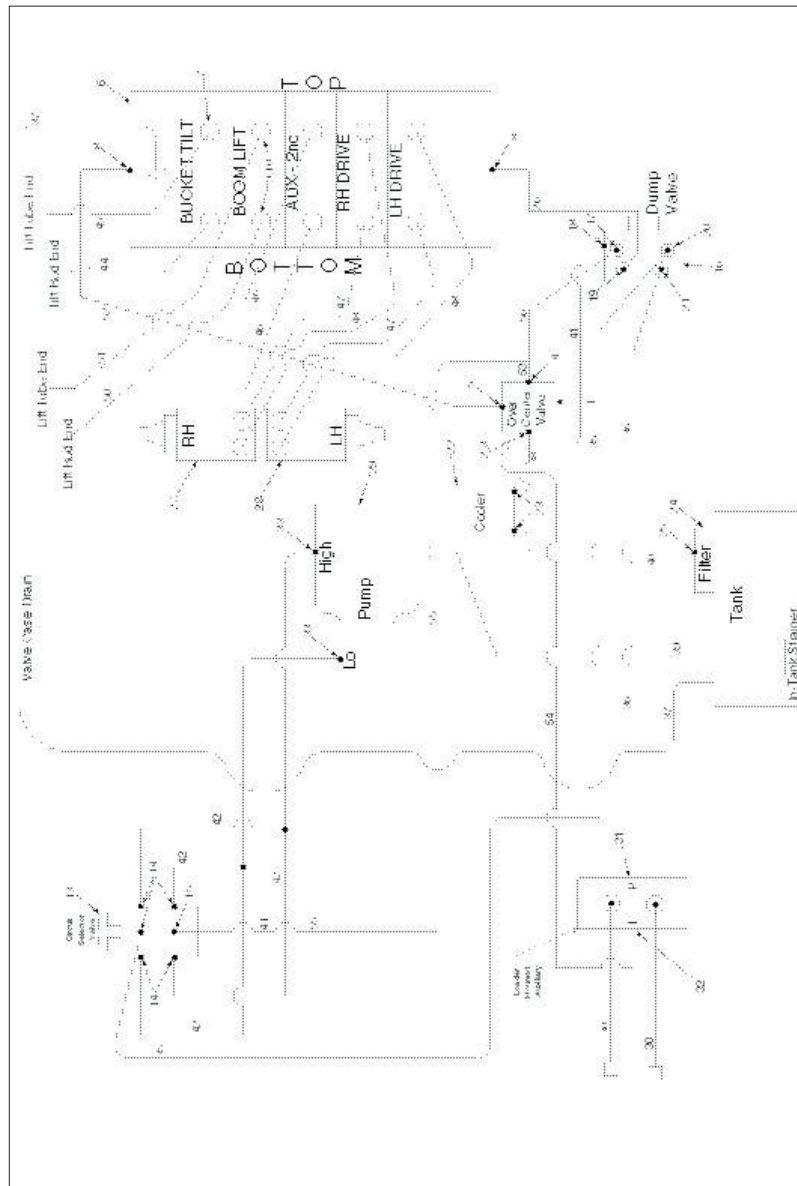
6...PARTS BREAKDOWN

6.5 PARKING BRAKE (WHEEL LOADER)

| ITEM | PART NO. | DESCRIPTION | QTY. |
|------|----------|-----------------------|------|
| 1. | 047746SP | Grip, Vinyl | 1 |
| 2. | 963986SP | Brake Handle Assembly | 1 |
| 3. | 001643SP | Washer, Flat 3/8" | 1 |
| 4. | 007465SP | Nylok Nut, 3/8" | 4 |
| 5. | 047786SP | Spring | 1 |
| 6. | 963990SP | Brake Pin Assembly | 1 |
| 7. | 007465SP | Nut, Nylok | 2 |
| 8. | 047177SP | Grease Fitting | 1 |
| 9. | 001642SP | Washer, Lock 3/8" | 1 |
| 10. | 001672SP | Bolt, Hex. 3/8" UNC | 1 |
| 11. | 963985SP | Brake Mount Assembly | 1 |

6...PARTS BREAKDOWN

6.6 HYDRAULIC SCHEMATIC



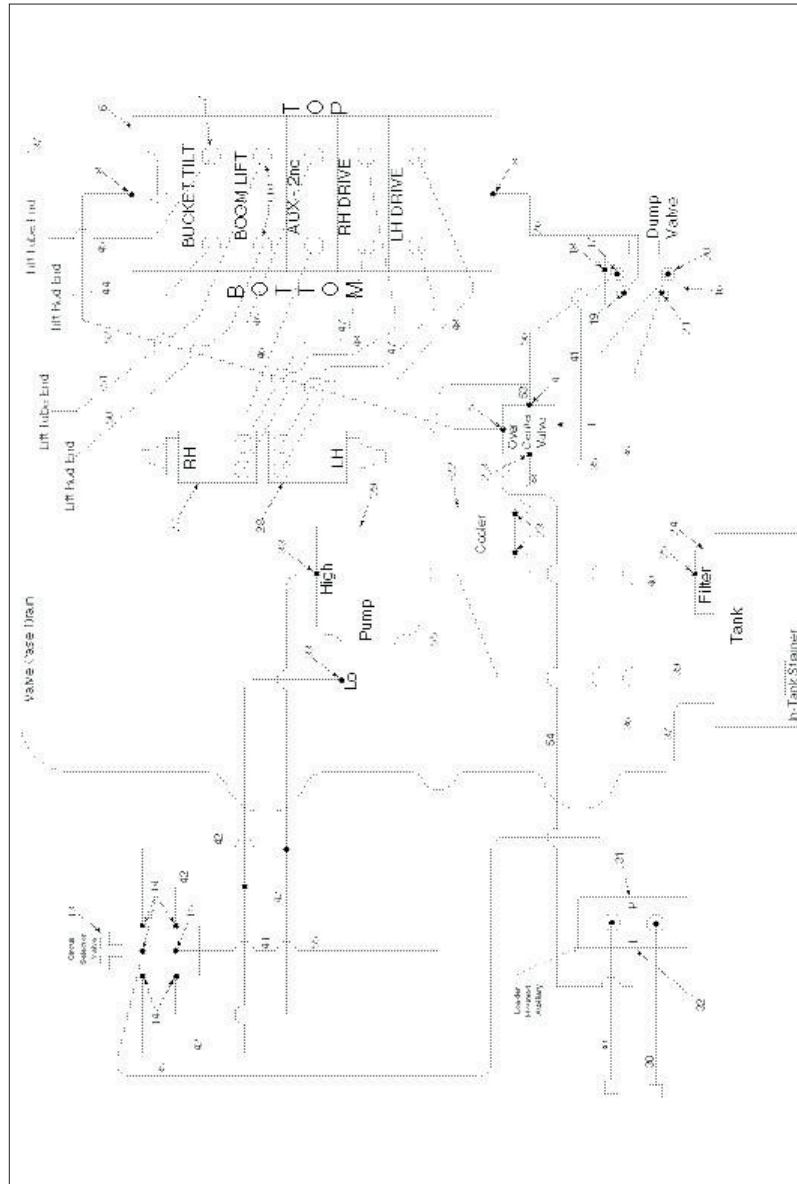
6...PARTS BREAKDOWN

6.6 HYDRAULIC SCHEMATIC

| ITEM | PART NO. | DESCRIPTION | QTY. |
|------|-----------------|---------------------------------|----------|
| 1. | 048117SP | Valve, Hyd. Overcenter | 1 |
| * | 007458SP | Bolt, Hex. 5/16" x 2 3/4" UNC | 2 |
| * | 016771SP | Nut, Nylock, Hex. 5/16" UNC | 2 |
| 2. | 026641SP | Tee | 1 |
| 3. | 038393SP | Tee, Branch | 1 |
| 4. | 044126SP | Elbow, 90 | 1 |
| 5. | 023388SP | Elbow, 90 | 1 |
| 6. | 048239SP | Hyd. Valve Assembly | 1 |
| * | 007465SP | Nylok Nut, 3/8" UNC | 4 |
| * | 001643SP | Flat Washer, 3/8" | 4 |
| * | 023459SP | Hex Bolt, 8 mm x 15 mm | 4 |
| * | 021029SP | Lock Washer, 8 mm | 4 |
| 7. | 014868SP | Connector, 3/4" JIC x 9/16" ORB | 10 |
| 8. | 023388SP | Elbow, 90 | 2 |
| 9. | 021553SP | Elbow, 90 | 2 |
| 10. | 047842SP | Tee, Branch | 2 |
| 11. | 007667SP | Dust Plug, 1/2" M | 1 |
| 12. | 007124SP | Dust Plug, 1/2" F | 1 |
| 13. | 964804SP | 2 Position valve, diverter | 1 |
| 14. | 021121SP | Con. 9/16" JICM x 3/4" ORB | 5 |
| * | 005897SP | Bolt, Hex. 1/4" x 1 1/4" | 2 |
| * | 002279SP | Lock Washer, 1/4" | 2 |
| 15. | 021128SP | Elbow, 90 | 1 |
| 16. | 047998SP | Dump valve | 1 |
| 17. | 023388SP | Elbow, 90 | 1 |
| 18. | 026833SP | Tee, Run 3/4" ORB | 1 |
| 19. | 019238SP | Con. 3/4" JICM x 3/4" ORB | 1 |
| 20. | 021128SP | Elbow, 90 | 1 |
| 21. | 021121SP | Con. 9/16" JICM x 3/4" ORB | 1 |
| 22. | 047990SP | Cooler, Oil Assembly | 1 |
| * | 006081SP | Hex Bolt, 5/16" x 3/4" UNC | 2 |
| * | 001651SP | Flat Washer, 5/16" | 2 |
| * | 001870SP | Lock Washer, 5/16" | 2 |
| 23. | 020813SP | Con. 3/4" JIC x 1 1/16" ORB | 2 |
| 24. | 047838SP | Filter, Intake Hyd. Assembly | 1 |
| * | 047839SP | Element, Filter | 1 |
| * | 001650SP | Washer, Flat 1/4" | 2 |
| * | 002279SP | Washer, Lock 1/4" | 2 |
| * | 054487SP | Shaft, Pump | 1 |

6...PARTS BREAKDOWN

6.6 HYDRAULIC SCHEMATIC



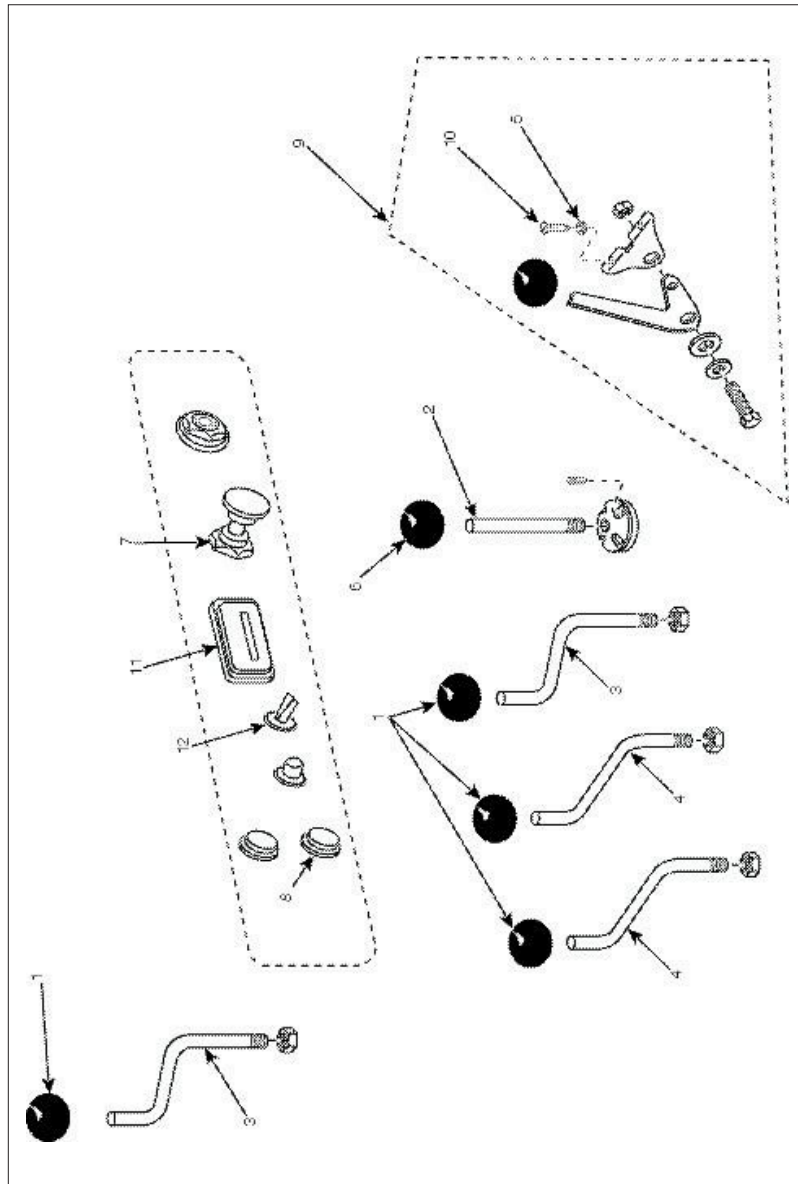
6...PARTS BREAKDOWN

6.6 HYDRAULIC SCHEMATIC

| ITEM | PART NO. | DESCRIPTION | QTY. |
|------|----------|---------------------------------|------|
| 25. | 026083SP | Con. 3/4" JIC x 3/4" NPT | 1 |
| 26. | 964144SP | Hyd. Hose 3/8" x 45" | 1 |
| 27. | 047612SP | Hydraulic Motor Ass'y. | 1 |
| 28. | 047612SP | Hydraulic Motor Ass'y. | 1 |
| 29. | 047460SP | Pump, Hyd. Assembly | 1 |
| * | 001387SP | Bolt, Hex. 3/8" x 1 1/4" UNC | 2 |
| * | 001642SP | Washer, Lock 3/8" | 2 |
| 30. | 047747SP | Hyd. Tube 1/2" W/Bulkhead | 2 |
| 31. | 021128SP | Elbow | 1 |
| 32. | 023388SP | Elbow | 1 |
| 33. | 014868SP | Connector, 3/4" JIC x 9/16" ORB | 2 |
| 35. | 964056SP | Hyd. Hose 3/8" x 21.5" | 1 |
| 36. | 964145SP | Hyd. Hose 3/8" x 25.5 | 1 |
| 37. | 964290SP | Hyd. Hose 3/8" x 36" | 1 |
| 38. | 964142SP | Hyd. Hose 3/8" x 27.5" | 1 |
| 39. | 964060SP | Hyd. Hose 3/4" x 23.5" | 1 |
| 40. | 964143SP | Hyd. Hose 3/8" x 16" | 1 |
| 41. | 964058SP | Hyd. Hose 3/8" x 32" | 1 |
| 42. | 964059SP | Hyd. Hose 3/8" x 27" | 4 |
| 44. | 964063SP | Hyd. Hose 3/8" x 87.5 | 1 |
| 45. | 964063SP | Hyd. Hose 3/8" x 87.5 | 1 |
| 46. | 964064SP | Hyd. Hose 3/8" x 51" | 2 |
| 47. | 964062SP | Hyd. Hose 3/8" x 42" | 2 |
| 48. | 964061SP | Hyd. Hose 3/8" x 42" | 2 |
| 50. | 964067SP | Hyd. Hose 3/8" x 33" (R.H.) | 1 |
| * | 964065SP | Hyd. Hose 3/8" x 36" (L.H.) | 1 |
| 51. | 964105SP | Hyd. Hose 3/8" x 27" (L.H.) | 1 |
| * | 964066SP | Hyd. Hose 3/8" x 25" (R.H.) | 1 |
| 52. | 964070SP | Hyd. Hose 3/8" x 25" | 1 |
| 53. | 964068SP | Hyd. Hose 3/8" x 15" | 1 |
| 55. | 964057SP | Hyd. Hose 3/8" x 20" | 1 |
| 56. | 964069SP | Hyd. Hose 3/8" x 19.5" | 1 |
| * | 053463SP | Seal kit, Hyd Valve Assembly | 1 |
| * | 053589SP | Seal Kit, Pump | 1 |
| * | 047461SP | Aux Valve | 1 |
| * | 052249SP | Aux Valve, Seal Kit | 1 |
| * | 048546SP | Dump Valva, Cartridge | 1 |
| * | 052242SP | Dump Valve, Solenoid Coil | 1 |
| * | U-3488 | Kit, Flat Faced Couplers | 2 |
| * | 053465SP | Kit, Articulaed Joystick | 1 |
| * | 053467SP | Joystick, Bellow | 1 |
| * | 047990SP | Oil Cooler | 1 |

6...PARTS BREAKDOWN

6.7 CONTROL LEVERS/DASH



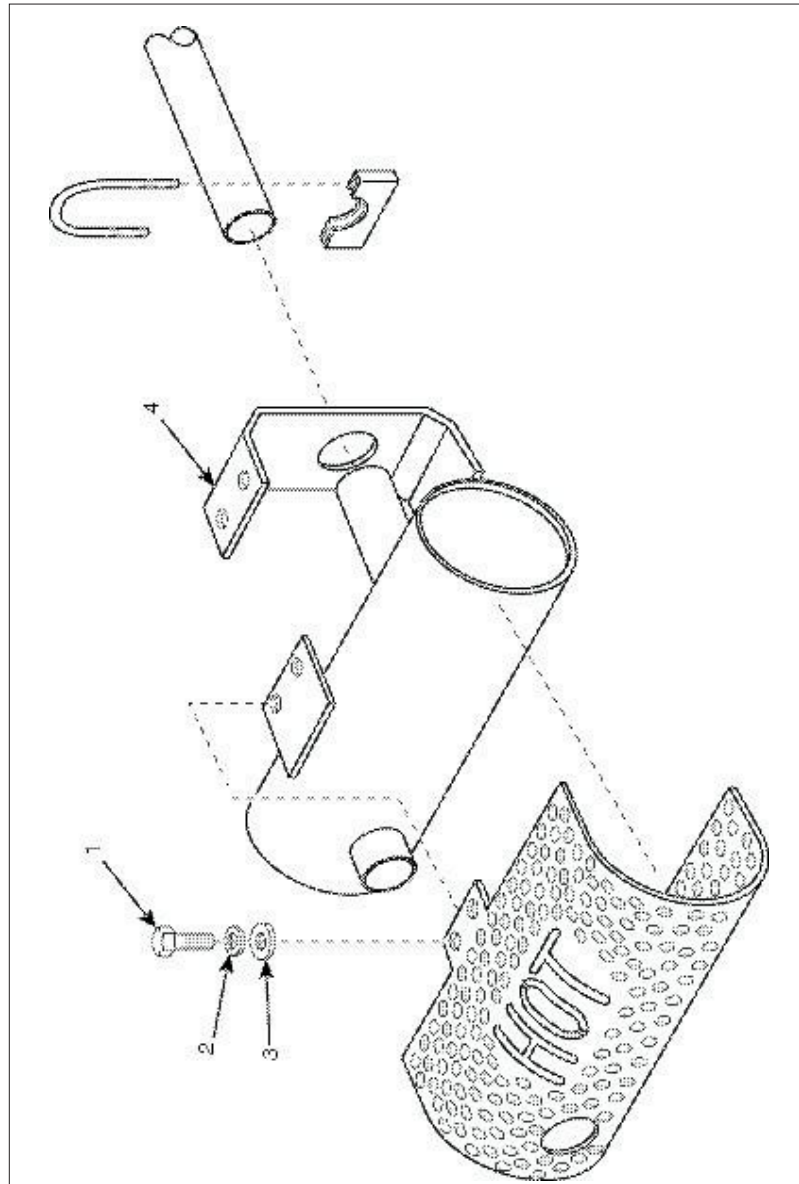
6...PARTS BREAKDOWN

6.7 CONTROL LEVERS/DASH

| ITEM | PART NO. | DESCRIPTION | QTY. |
|------|----------|--------------------------|------|
| 1. | 048012SP | Knob, Black Ball | 4 |
| 2. | 047864SP | Handle, Joystick | 1 |
| 3. | 047862SP | Lever, Auxiliary | 2 |
| 4. | 047863SP | Lever, Handle, Drive | 2 |
| 5. | 002811SP | Washer, Lock 3/16" | 2 |
| 6. | 048013SP | Black Knob, Press On | 1 |
| 7. | 047690SP | Choke Cable, 24" | 1 |
| 8. | 048005SP | Momentary Switch | 2 |
| 9. | 047689SP | Cable Mount | 1 |
| 10. | 015885SP | Stove Bolt, 3/16" x 3/4" | 2 |
| 11. | 038761SP | Hourmeter | 1 |
| 12. | 039123SP | Light Switch | 1 |
| * | 048143SP | Swith, Key | 1 |
| * | 049213SP | Keys, Pair | |

6...PARTS BREAKDOWN

6.8 EXHAUST COMPLETE



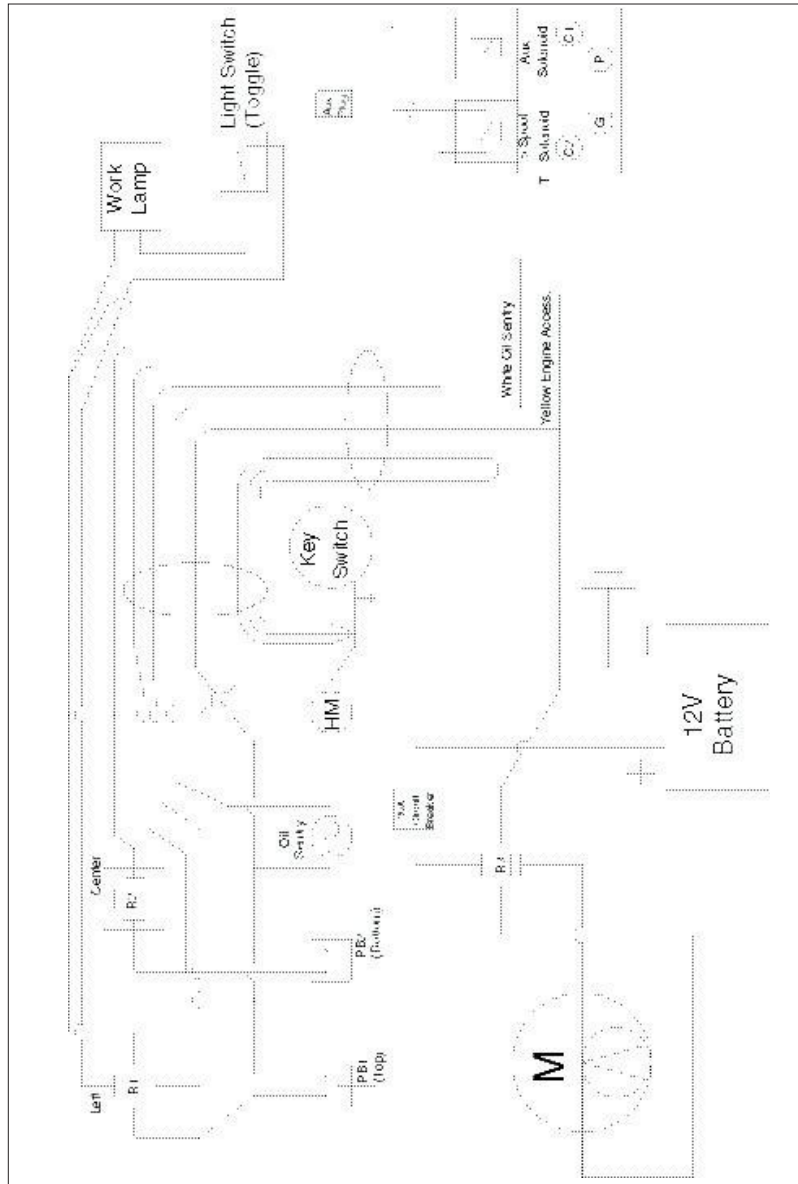
6...PARTS BREAKDOWN

6.8 EXHAUST COMPLETE

| ITEM | PART NO. | DESCRIPTION | QTY. |
|------|----------|--------------------------|------|
| 1. | 001193SP | Bolt, Hex. 3/8" x 1" UNC | 4 |
| 2. | 001642SP | Washer, Lock 3/8" PL | 4 |
| 3. | 001643SP | Washer, Flat 3/8" | 4 |
| 4. | 047765SP | Muffler Mount | 1 |
| * | 049296SP | Muffler | 1 |
| * | 049297SP | Muffler Sheild | 1 |

6...PARTS BREAKDOWN

6.9 ELECTRICAL SCHEMATIC



6...PARTS BREAKDOWN

6.9 ELECTRICAL SCHEMATIC

| ITEM | PART NO. | DESCRIPTION | QTY. |
|------|----------|-----------------------------|------|
| 1. | 048089SP | Electrical Harness Complete | 1 |
| * | 047991SP | Fan, Electric | 1 |
| | 039840SP | Relays | 3 |
| | 033514SP | Plugs, Relay | 1 |
| | 039910SP | Positive Cable | 1 |
| | 022819SP | Negative Cable | 1 |
| | 052154SP | Oil Temp Light | 1 |
| | 048143SP | Switch, Key | 1 |
| | 049213SP | Keys, Pair | 1 |

6...PARTS BREAKDOWN

6.10 ENGINE SPARE PARTS

| ITEM | PART NO. | DESCRIPTION | QTY. |
|------|----------|-----------------------------|------|
| 1. | 048121SP | Seal, Oil, front | 1 |
| 2. | 048122SP | Seal, rear | 1 |
| 3. | 048123SP | Dipstick | 1 |
| 4. | 048124SP | Filter, Oil | 1 |
| 5. | 048125SP | Switch, Pressure | 1 |
| 6. | 048126SP | Gasket, Cylinder Head | 2 |
| 7. | 048127SP | Valve, Intake | 2 |
| 8. | 048128SP | Valve, Exhaust | 2 |
| 9. | 048129SP | Kit, Oil Fill Cap | 1 |
| 10. | 048130SP | Fuel Pump, Rocker Kit | 1 |
| 11. | 048131SP | Gasket, Breather | 1 |
| 12. | 048132SP | Spark Plug | 2 |
| 13. | 048133SP | Module, Ignition | 2 |
| 14. | 048144SP | Regulator/Rectifier | 1 |
| 15. | 048134SP | Starter, Solenoid Shift | 1 |
| 16. | 048135SP | Kit, Carburator With Gasket | 1 |
| 17. | 048136SP | Kit, Carburator Repair | 1 |
| 18. | 048137SP | Filter, Fuel | 1 |
| 19. | 048138SP | Gasket, Air Cleaner Base | 1 |
| 20. | 048139SP | Element, Air Filter | 1 |
| 21. | 048140SP | Pre-Cleaner | 1 |
| 22. | 048141SP | Knob, Cover | 1 |
| 23. | 048142SP | Gasket, Exhaust Manifold | 2 |
| 24. | 048143SP | Switch | 1 |
| * | 052340SP | Engine | 1 |
| | 048186SP | Stator, 25Amp | |
| | 049754SP | Breather, Air | |
| | 042417SP | Air, Primary | |
| | 042418SP | Air, Secondary | |
| | 053475SP | Valva, Acuator | |
| | 053474SP | Cover | |
| | 054476SP | Splined Insert | |